



962

Wheel Loader

Technical Specifications

Configurations and features may vary by region. Please consult your Cat® dealer for availability in your area.

Table of Contents

Specifications	2
Engine – U.S. EPA Tier 4 Final/EU Stage V	2
Operating Specifications	2
Buckets	2
Weight	2
Engine – U.S. EPA Tier 3 Equivalent/EU Stage IIIA Equivalent	2
Transmission	2
Air Conditioning System	3
Hydraulic System	3
Sound	3
Service Refill Capacities	3
Brakes	3
Axles	3
Cab	3
Dimensions	4
Tire Options	5
Bucket Fill Factors and Selection Guide	7
Operating Specifications – Buckets	11
Fork/Material Handling Arm Specifications	42
Standard and Optional Equipment	81
962 Environmental Declaration	83
962 Waste & Scrap Handler Configuration	84
Key Features and Benefits	84
Tire Options	86
962 Forestry Machine Configuration	99
Key Features and Benefits	99
Tire Options	101
Operating Specifications – Buckets	102
962 Corrosion Resistant Configuration	147
Key Features and Benefits	147

962 Wheel Loader Specifications

Engine – U.S. EPA Tier 4 Final/EU Stage V

Engine Model	Cat® C7.1	
Meets U.S. EPA Tier 4 Final, EU Stage V, and Japan 2014 emission standards.		
Engine Power @ 2,100 rpm ISO 14396:2002	201 kW	269 hp
ISO 14396:2002 (DIN)	273 hp (metric)	
Gross Power @ 2,100 rpm SAE J1995:2014	203 kW	273 hp
SAE J1995:2014 (DIN)	277 hp (metric)	
Net Power @ 2,100 rpm ISO 9249:2007, SAE J1349:2011	187 kW	251 hp
ISO 9249:2007, SAE J1349:2011 (DIN)	255 hp (metric)	
Engine Torque (1,400 rpm) ISO 14396:2002	1245 N·m	918 lbf-ft
Gross Torque (1,400 rpm) SAE J1995:2014	1256 N·m	926 lbf-ft
Net Torque (1,400 rpm) ISO 9249:2007, SAE J1349:2011	1176 N·m	867 lbf-ft
Displacement	7.01 L	

- Advertised power is tested per the specified standard in effect at the time of manufacture.
 - The net power advertised is the power available at the flywheel when the engine is equipped with fan, alternator, air cleaner, and aftertreatment.
 - Cat diesel engines are required to use ULSD (ultra-low sulfur diesel fuel with 15 ppm of sulfur or less) or ULSD blended with the following lower-carbon intensity fuels up to:
 - 20% biodiesel FAME (fatty acid methyl ester)*
 - 100% renewable diesel, HVO (hydrotreated vegetable oil) and GTL (gas-to-liquid) fuels
- Refer to guidelines for successful application. Please consult your Cat dealer or “Caterpillar Machine Fluids Recommendations” (SEBU6250) for details.
- * Engines with no aftertreatment devices can use higher blends, up to 30% biodiesel, where mandated.

Operating Specifications

Static Tipping Load – Full 40° Turn		
With Tire Deflection	11 734 kg	25,869 lb
No Tire Deflection	12 487 kg	27,529 lb
Breakout Force	189 kN	42,489 lbf

- For a machine configuration as defined under “Weight.”
- Full compliance to ISO 14397-1:2007 Sections 1 thru 6, which requires 2% verification between calculations and testing.

Buckets

Bucket Capacities	2.5-9.9 m ³	3.3-13.0 yd ³
-------------------	------------------------	--------------------------

Weight

Operating Weight	20 171 kg	44,469 lb
------------------	-----------	-----------

- Weight based on a machine configuration with parallel lift Z-bar linkage, Bridgestone 23.5R25 VJT L3 radial tires, full fluids, operator, standard counterweight, ride control, cold start, roading fenders, Product Link™, front manual differential/open rear axles, powertrain guard, secondary steering, sound suppression, and a 3.3 m³ (4.3 yd³) general purpose bucket with bolt-on cutting edges (BOCE).

Engine – U.S. EPA Tier 3 Equivalent/EU Stage IIIA Equivalent

Engine Model	Cat C7.1	
Meets Brazil MAR-1 and UN ECE R96 Stage IIIA emission standards, equivalent to U.S. EPA Tier 3 and EU Stage IIIA.		
Engine Power @ 2,100 rpm ISO 14396:2002	201 kW	269 hp
ISO 14396:2002 (DIN)	273 hp (metric)	
Gross Power @ 2,100 rpm SAE J1995:2014	206 kW	276 hp
SAE J1995:2014 (DIN)	280 hp (metric)	
Net Power @ 2,100 rpm ISO 9249:2007, SAE J1349:2011	187 kW	251 hp
ISO 9249:2007, SAE J1349:2011 (DIN)	255 hp (metric)	
Engine Torque (1,400 rpm) ISO 14396:2002	1245 N·m	918 lbf-ft
Gross Torque (1,400 rpm) SAE J1995:2014	1266 N·m	933 lbf-ft
Net Torque (1,400 rpm) ISO 9249:2007, SAE J1349:2011	1176 N·m	867 lbf-ft
Displacement	7.01 L	

- Advertised power is tested per the specified standard in effect at the time of manufacture.
 - The net power advertised is the power available at the flywheel when the engine is equipped with fan, alternator, air cleaner, and muffler.
 - Cat engines are compatible with diesel fuel blended with the following lower-carbon intensity fuels up to:
 - 100% biodiesel FAME (fatty acid methyl ester)*
 - 100% renewable diesel, HVO (hydrotreated vegetable oil) and GTL (gas-to-liquid) fuels
- Refer to guidelines for successful application. Please consult your Cat dealer or “Caterpillar Machine Fluids Recommendations” (SEBU6250) for details.
- * For use of blends higher than 20% biodiesel, consult your Cat dealer.

Transmission

Forward 1	6.9 km/h	4.3 mph
Forward 2	12.0 km/h	7.5 mph
Forward 3	19.3 km/h	12.0 mph
Forward 4	25.7 km/h	16.0 mph
Forward 5	39.5 km/h	24.5 mph
Reverse 1	6.9 km/h	4.3 mph
Reverse 2	12.0 km/h	7.5 mph
Reverse 3	25.7 km/h	16.0 mph
Reverse 4	N/A	N/A

- Maximum travel speed in standard vehicle with empty bucket and standard L3 tires with 787 mm (31 in) roll radius.

962 Wheel Loader Specifications

Air Conditioning System

The air conditioning system on this machine contains the fluorinated greenhouse gas refrigerant R134a (Global Warming Potential = 1430). The system contains 1.6 kg (3.5 lb) of refrigerant which has a CO₂ equivalent 2.288 metric tonnes (2.522 tons).

Hydraulic System

Implement Pump Type	Variable Displacement Piston, Load Sensing	
Implement System:		
Maximum Pump Output (2,340 rpm)	322 L/min	85 gal/min
Maximum Operating Pressure	29 300 kPa	4,250 psi
Optional 3 rd Function Maximum Flow at Work Tool	240 L/min	63 gal/min
Optional 3 rd Function Maximum Pressure at Work Tool	20 684 kPa	3,000 psi
Optional 4 th Function Maximum Flow at Work Tool	240 L/min	63 gal/min
Optional 4 th Function Maximum Pressure at Work Tool	20 684 kPa	3,000 psi
Hydraulic Cycle Time with Rated Payload:		
Raise from Carry Position	5.2 sec	
Dump at Maximum Raise	1.5 sec	
Lower, Empty, Float Down	2.7 sec	
Total	9.4 sec	

Sound

Operator Sound Pressure Level (ISO 6396:2008)	70 dB(A)
Exterior Sound Power Level (ISO 6395:2008)	107 dB(A)
Operator Sound Pressure Level (ISO 6396:2008)*	69 dB(A)
Exterior Sound Power Level (ISO 6395:2008)**	104 dB(A)

*Including countries that adopt the EU and UK directives.
**European Union Directive 2000/14/EC and UK Noise Regulation 2001 No. 1701.

Service Refill Capacities

Fuel Tank	259.5 L	68.6 gal
Diesel Exhaust Fluid (DEF) Tank (Tier 4 only)	15 L	4.0 gal
Cooling System (Tier 4)	54 L	14.3 gal
Cooling System (Tier 3)	54 L	14.3 gal
Crankcase	21 L	5.5 gal
Transmission	43 L	11.4 gal
Differentials and Final Drives – Front	43 L	11.4 gal
Differentials and Final Drives – Rear	43 L	11.4 gal
Hydraulic Tank	97 L	25.6 gal

Brakes

Brakes	Brakes meet ISO 3450:2011 standards
--------	-------------------------------------

Axles

Front	Fixed
Rear	Oscillating ±13 degrees

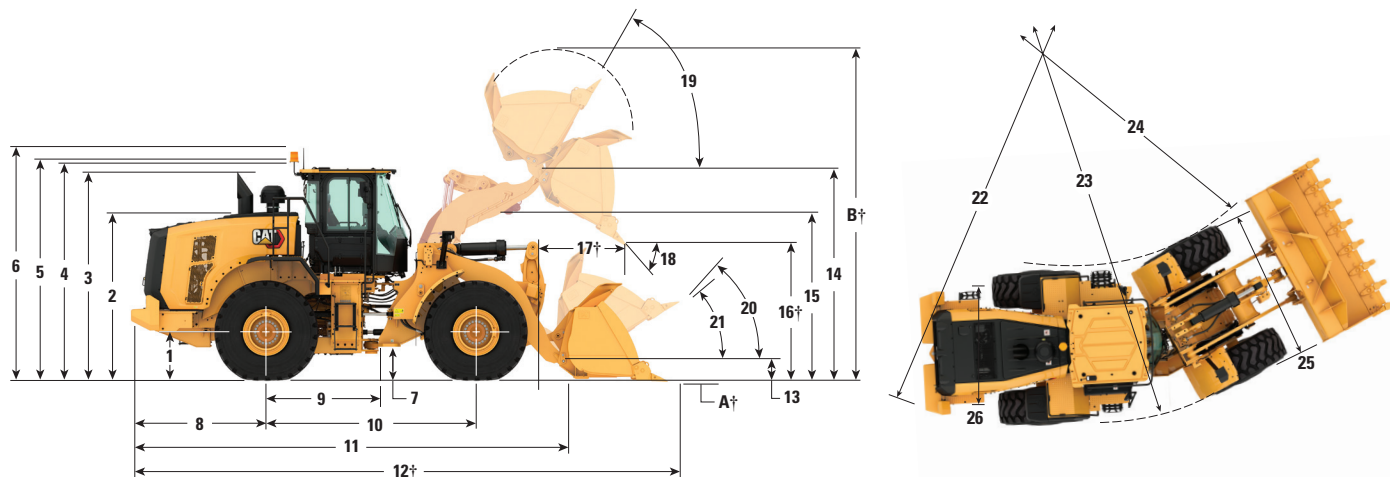
Cab

Rollover Protective Structure/Falling Objects Protective Structure (ROPS/FOPS)	ROPS/FOPS meet ISO 3471:2008 and ISO 3449:2005 Level II standards
--	--

962 Wheel Loader Specifications

Dimensions

All dimensions are approximate.



	Standard Lift		High Lift	
1 Height to Axle Centerline	731 mm	2'4"	731 mm	2'4"
2 Height to Top of Hood	2692 mm	8'9"	2692 mm	8'9"
3 Height to Top of Exhaust Pipe	3405 mm	11'2"	3405 mm	11'2"
4 Height to Top of ROPS	3453 mm	11'3"	3453 mm	11'3"
5 Height to Top of Product Link Antenna	3460 mm	11'4"	3460 mm	11'4"
6 Height to Top of Warning Beacon	3733 mm	12'2"	3732 mm	12'2"
7 Ground Clearance	351 mm	1'1"	351 mm	1'1"
8 Centerline of Rear Axle to Edge of Counterweight	2182 mm	7'1"	2244 mm	7'4"
9 Centerline of Rear Axle to Hitch	1675 mm	5'5"	1675 mm	5'5"
10 Wheelbase	3350 mm	10'11"	3350 mm	10'11"
11 Overall Length (without bucket)	7263 mm	23'10"	7657 mm	25'2"
12 Shipping Length (with bucket level on ground)*†	8619 mm	28'4"	9013 mm	29'7"
13 Hinge Pin Height at Carry Height	674 mm	2'2"	776 mm	2'6"
14 Hinge Pin Height at Maximum Lift	4223 mm	13'10"	4511 mm	14'9"
15 Lift Arm Clearance at Maximum Lift	3459 mm	11'4"	3612 mm	11'10"
16 Dump Clearance at Maximum Lift and 45° Discharge*†	3040 mm	9'11"	3328 mm	10'11"
17 Reach at Maximum Lift and 45° Discharge*†	1398 mm	4'7"	1500 mm	4'11"
18 Dump Angle at Maximum Lift and Dump (on stops)*	49 degrees		47 degrees	
19 Rack Back at Maximum Lift*	55 degrees		56 degrees	
20 Rack Back at Carry Height*	51 degrees		48 degrees	
21 Rack Back at Ground*	39 degrees		43 degrees	
22 Clearance Circle (dia) to Counterweight	12 045 mm	39'7"	12 050 mm	39'7"
23 Clearance Circle (dia) to Outside of Tires	12 029 mm	39'6"	12 029 mm	39'6"
24 Clearance Circle (dia) to Inside of Tires	6379 mm	25'0"	6379 mm	25'0"
25 Width over Tires (unloaded)	2804 mm	9'3"	2804 mm	9'3"
Width over Tires (loaded)	2825 mm	9'4"	2825 mm	9'4"
26 Tread Width	2140 mm	7'0"	2140 mm	7'0"

All height and tire related dimensions are with Bridgestone 23.5R25 VJT L3 radial tires (see Tire Options chart for other tires). "Width over Tires" dimensions are over the bulge and include growth.

*All dimensions are approximate and based on machine equipped with 3.3 m³ (4.3 yd³) general purpose pin-on bucket with BOCE (see Operating Specifications for other buckets).

†Dimensions are listed in Operating Specifications charts.

962 Wheel Loader Specifications

Tire Options

Tire Brand	Bridgestone	Michelin	Michelin	Michelin	Michelin
Tire Size	23.5R25	23.5R25	23.5R25	750/65R25	23.5R25
Tread Type	L-3	L-3	L-5	L-3	L-2
Tread Pattern	VJT	XHA2	XLD D2	XLD	XTLA
Width over Tires – Maximum (empty)*	2804 mm 9'3"	2823 mm 9'4"	2827 mm 9'4"	2942 mm 9'8"	2819 mm 9'3"
Width over Tires – Maximum (loaded)*	2825 mm 9'4"	2830 mm 9'4"	2837 mm 9'4"	2961 mm 9'9"	2821 mm 9'4"
Change in Vertical Dimensions (average of front and rear)		10 mm 0.4"	40 mm 1.6"	15 mm 0.6"	12 mm 0.5"
Change in Horizontal Reach		-6 mm -0.2"	-31 mm -1.2"	5 mm 0.2"	-7 mm -0.3"
Change in Clearance Circle to Outside of Tires		4 mm 0.2"	11 mm 0.4"	135 mm 5.3"	-4 mm -0.2"
Change in Clearance Circle to Inside of Tires		-4 mm -0.2"	-11 mm -0.4"	-135 mm -5.3"	4 mm 0.2"
Change in Operating Weight (without ballast)		-156 kg -344 lb	500 kg 1,103 lb	633 kg 1,395 lb	-192 kg -423 lb
Change in Static Tipping Load – Straight		-99 kg -218 lb	318 kg 700 lb	402 kg 886 lb	-122 kg -269 lb
Change in Static Tipping Load – Articulated		-87 kg -191 lb	278 kg 612 lb	351 kg 774 lb	-107 kg -235 lb
Rear Axle Oscillation Angle	±13 degrees	±13 degrees	±8 degrees	±8 degrees	±13 degrees
Maximum Single-Wheel Rise and Fall	481 mm 1'7"	481 mm 1'7"	298 mm 1'0"	298 mm 1'0"	481 mm 1'7"

*Width over tire bulge and includes tire growth.

Tire Brand	Michelin	Bridgestone	Bridgestone	Bridgestone	Bridgestone
Tire Size	23.5R25	23.5R25	23.5R25	23.5R25	23.5-25
Tread Type	L-2	L-2	L-2	L-5	L-3
Tread Pattern	XSNO	VUT	VSW	VSDL	VL2
Width over Tires – Maximum (empty)*	2839 mm 9'4"	2832 mm 9'4"	2810 mm 9'3"	2791 mm 9'2"	2773 mm 9'2"
Width over Tires – Maximum (loaded)*	2843 mm 9'4"	2822 mm 9'4"	2824 mm 9'4"	2806 mm 9'3"	2792 mm 9'2"
Change in Vertical Dimensions (average of front and rear)	9 mm 0.3"	0 mm 0"	11 mm 0.4"	66 mm 2.6"	20 mm 0.8"
Change in Horizontal Reach	-5 mm -0.2"	0 mm 0"	2 mm 0.1"	-36 mm -1.4"	-4 mm -0.1"
Change in Clearance Circle to Outside of Tires	18 mm 0.7"	-4 mm -0.1"	-1 mm 0"	-20 mm -0.8"	-34 mm -1.3"
Change in Clearance Circle to Inside of Tires	-18 mm -0.7"	4 mm 0.1"	1 mm 0"	20 mm 0.8"	34 mm 1.3"
Change in Operating Weight (without ballast)	-144 kg -318 lb	-120 kg -265 lb	-60 kg -132 lb	700 kg 1,544 lb	-268 kg -591 lb
Change in Static Tipping Load – Straight	-91 kg -202 lb	-76 kg -168 lb	-38 kg -84 lb	445 kg 980 lb	-170 kg -375 lb
Change in Static Tipping Load – Articulated	-80 kg -176 lb	-67 kg -147 lb	-33 kg -73 lb	389 kg 857 lb	-149 kg -328 lb
Rear Axle Oscillation Angle	±13 degrees	±13 degrees	±8 degrees	±8 degrees	±13 degrees
Maximum Single-Wheel Rise and Fall	481 mm 1'7"	481 mm 1'7"	298 mm 1'0"	298 mm 1'0"	481 mm 1'7"

*Width over tire bulge and includes tire growth.

962 Wheel Loader Specifications

Tire Options

Tire Brand	Bridgestone	Firestone	Maxam	Maxam	Maxam
Tire Size	750/65R25	23.5-25	23.5R25	23.5R25	23.5R25
Tread Type	L-3	L-5	L-2	L-2	L-3
Tread Pattern	VTS	SDT LD	MS202	MS203	MS302
Width over Tires – Maximum (empty)*	2935 mm 9'8"	2779 mm 9'2"	2816 mm 9'3"	2817 mm 9'3"	2825 mm 9'4"
Width over Tires – Maximum (loaded)*	2953 mm 9'9"	2801 mm 9'3"	2830 mm 9'4"	2825 mm 9'4"	2829 mm 9'4"
Change in Vertical Dimensions (average of front and rear)	20 mm 0.8"	63 mm 2.5"	12 mm 0.5"	-2 mm -0.1"	14 mm 0.6"
Change in Horizontal Reach	-4 mm -0.2"	-44 mm -1.7"	-7 mm -0.3"	-2 mm -0.1"	-15 mm -0.6"
Change in Clearance Circle to Outside of Tires	128 mm 5"	-24 mm -1"	5 mm 0.2"	-1 mm 0"	4 mm 0.1"
Change in Clearance Circle to Inside of Tires	-128 mm -5"	24 mm 1"	-5 mm -0.2"	1 mm 0"	-4 mm -0.1"
Change in Operating Weight (without ballast)	737 kg 1,625 lb	500 kg 1,103 lb	-32 kg -71 lb	-188 kg -415 lb	0 kg 0 lb
Change in Static Tipping Load – Straight	468 kg 1,032 lb	318 kg 700 lb	-20 kg -45 lb	-119 kg -263 lb	0 kg 0 lb
Change in Static Tipping Load – Articulated	409 kg 902 lb	278 kg 612 lb	-18 kg -39 lb	-104 kg -230 lb	0 kg 0 lb
Rear Axle Oscillation Angle	±8 degrees	±8 degrees	±13 degrees	±13 degrees	±13 degrees
Maximum Single-Wheel Rise and Fall	298 mm 1'0"	298 mm 1'0"	481 mm 1'7"	481 mm 1'7"	481 mm 1'7"

*Width over tire bulge and includes tire growth.

Tire Brand	Maxam	Triangle	Triangle	Brawler	Brawler
Tire Size	23.5R25	23.5-25	23.5R25	23.5X25	23.5X25
Tread Type	L-5	L-3	L-3		
Tread Pattern	MS503	TL612	TB516	Smooth	Traction
Width over Tires – Maximum (empty)*	2783 mm 9'2"	2784 mm 9'2"	2792 mm 9'2"	2140 mm 7'1"	2140 mm 7'1"
Width over Tires – Maximum (loaded)*	2804 mm 9'3"	2812 mm 9'3"	2804 mm 9'3"	2140 mm 7'1"	2140 mm 7'1"
Change in Vertical Dimensions (average of front and rear)	59 mm 2.3"	2 mm 0.1"	43 mm 1.7"	68 mm 2.7"	68 mm 2.7"
Change in Horizontal Reach	-33 mm -1.3"	-8 mm -0.3"	-13 mm -0.5"	-15 mm -0.6"	-15 mm -0.6"
Change in Clearance Circle to Outside of Tires	-22 mm -0.9"	-13 mm -0.5"	-21 mm -0.8"	-685 mm -27.0"	-685 mm -27.0"
Change in Clearance Circle to Inside of Tires	22 mm 0.9"	13 mm 0.5"	21 mm 0.8"	685 mm 27.0"	685 mm 27.0"
Change in Operating Weight (without ballast)	472 kg 1,041 lb	-548 kg -1,208 lb	-452 kg -997 lb		
Change in Static Tipping Load – Straight	300 kg 661 lb	-366 kg -806 lb	-302 kg -665 lb		
Change in Static Tipping Load – Articulated	262 kg 578 lb	-319 kg -703 lb	-263 kg -580 lb		
Rear Axle Oscillation Angle	±8 degrees	±13 degrees	±13 degrees	±8 degrees	±8 degrees
Maximum Single-Wheel Rise and Fall	298 mm 1'0"	481 mm 1'7"	481 mm 1'7"	298 mm 1'0"	298 mm 1'0"

*Width over tire bulge and includes tire growth.

962 Wheel Loader Specifications

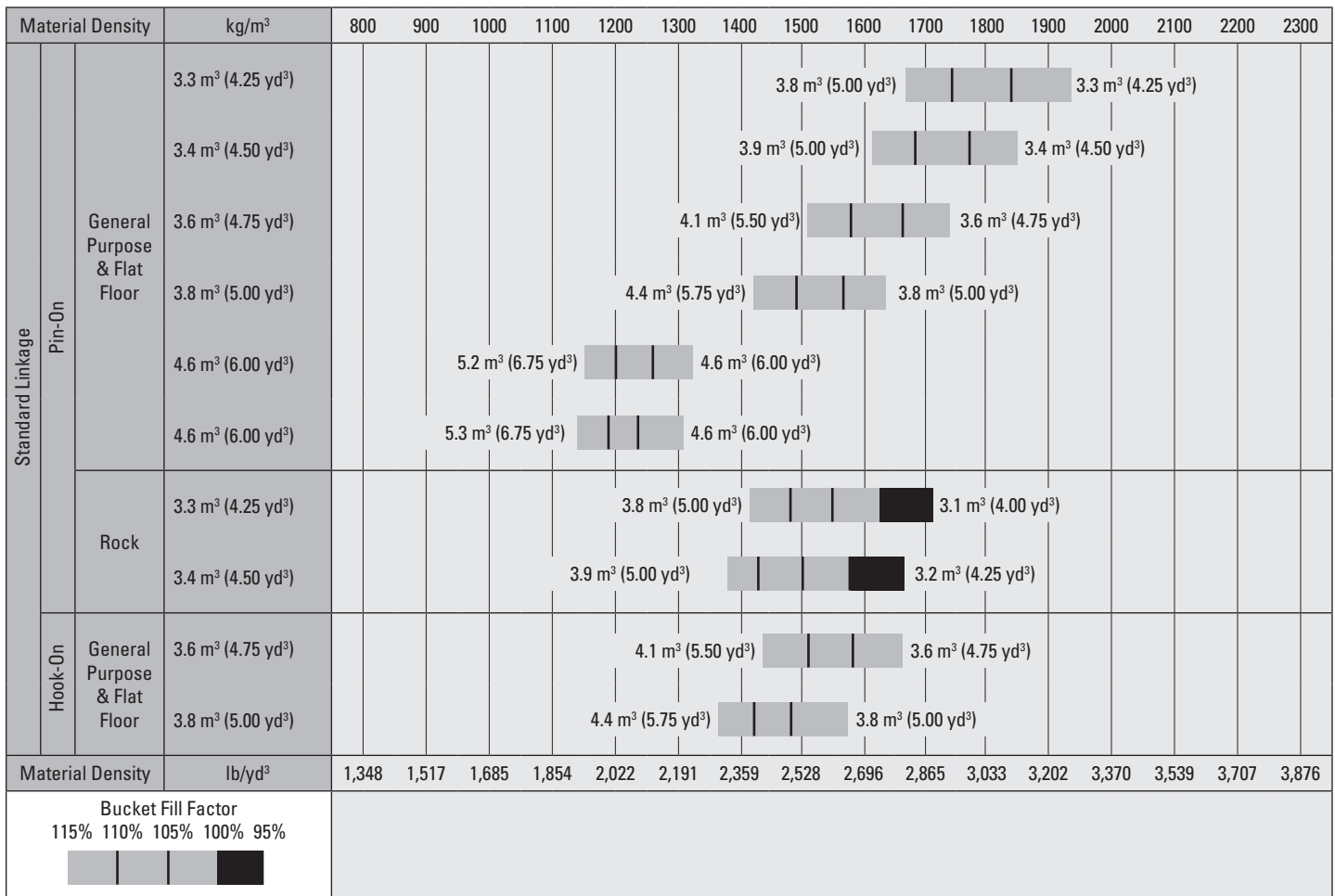
Bucket Fill Factors and Selection Guide

The bucket size must be chosen based on the density of the material and on the expected fill factor. The Cat Performance Series Buckets with longer floor, larger bucket opening, increased repository angle, rounded side boards and integrated spill guard demonstrate fill factors significantly higher than previous generation or non-Cat buckets. The actual volume handled by the machine is thus often larger than the rated capacity.

Loose Material		Fill Factor (%)*	Material Density
Earth/Clay		115	1.5-1.7
Sand and Gravel		115	1.5-1.7
Aggregate:	25-76 mm (1 to 3 in)	110	1.6-1.7
	19 mm (0.75 in) and smaller	105	1.8
Rock:	76 mm (3 in) and larger	100	1.6

*As a % of ISO 7546:1983 rated capacity.

Note: Fill Factors achieved will also depend on whether the product is washed or not washed.



Note: All buckets are showing Bolt-On Edges.

962 Wheel Loader Specifications

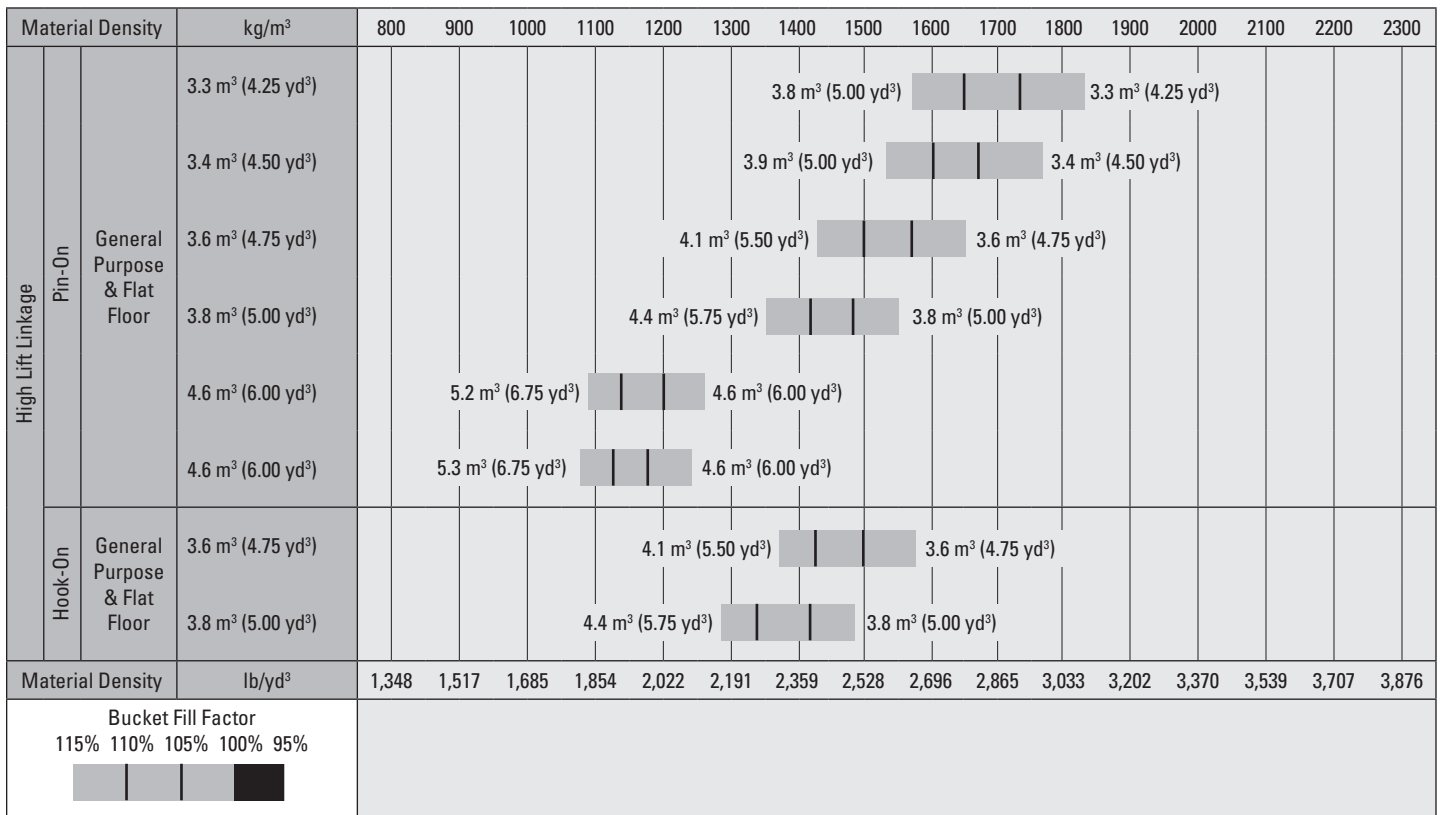
Bucket Fill Factors and Selection Guide

The bucket size must be chosen based on the density of the material and on the expected fill factor. The Cat Performance Series Buckets with longer floor, larger bucket opening, increased repository angle, rounded side boards and integrated spill guard demonstrate fill factors significantly higher than previous generation or non-Cat buckets. The actual volume handled by the machine is thus often larger than the rated capacity.

Loose Material		Fill Factor (%)*	Material Density
Earth/Clay		115	1.5-1.7
Sand and Gravel		115	1.5-1.7
Aggregate:	25-76 mm (1 to 3 in)	110	1.6-1.7
	19 mm (0.75 in) and smaller	105	1.8
Rock:	76 mm (3 in) and larger	100	1.6

*As a % of ISO 7546:1983 rated capacity.

Note: Fill Factors achieved will also depend on whether the product is washed or not washed.



Note: All buckets are showing Bolt-On Edges.

962 Wheel Loader Specifications

Bucket Fill Factors and Selection Guide

The bucket size must be chosen based on the density of the material and on the expected fill factor. The Cat Performance Series Buckets with longer floor, larger bucket opening, increased repository angle, rounded side boards and integrated spill guard demonstrate fill factors significantly higher than previous generation or non-Cat buckets. The actual volume handled by the machine is thus often larger than the rated capacity.

Loose Material		Fill Factor (%)*	Material Density
Earth/Clay		115	1.5-1.7
Sand and Gravel		115	1.5-1.7
Aggregate:	25-76 mm (1 to 3 in)	110	1.6-1.7
	19 mm (0.75 in) and smaller	105	1.8
Rock:	76 mm (3 in) and larger	100	1.6

*As a % of ISO 7546:1983 rated capacity.

Note: Fill Factors achieved will also depend on whether the product is washed or not washed.

Material Density		kg/m ³	800	900	1000	1100	1200	1300	1400	1500	1600	1700	1800	1900	2000	2100	2200	2300		
Aggregate Handler	Pin-On	General Purpose & Flat Floor	3.3 m ³ (4.25 yd ³)										3.8 m ³ (5.00 yd ³)						3.3 m ³ (4.25 yd ³)	
			3.4 m ³ (4.50 yd ³)												3.9 m ³ (5.00 yd ³)					
		3.6 m ³ (4.75 yd ³)												4.1 m ³ (5.50 yd ³)						3.6 m ³ (4.75 yd ³)
		4.0 m ³ (5.25 yd ³)												4.4 m ³ (5.75 yd ³)						3.8 m ³ (5.00 yd ³)
	Hook-On	General Purpose & Flat Floor	4.2 m ³ (5.50 yd ³)											4.6 m ³ (6.00 yd ³)						4.2 m ³ (5.50 yd ³)
			4.6 m ³ (6.00 yd ³)												5.2 m ³ (6.75 yd ³)					
		4.6 m ³ (6.00 yd ³)												5.3 m ³ (6.75 yd ³)						4.6 m ³ (6.00 yd ³)
		3.6 m ³ (4.75 yd ³)												4.1 m ³ (5.50 yd ³)						3.6 m ³ (4.75 yd ³)
3.8 m ³ (5.00 yd ³)												4.4 m ³ (5.75 yd ³)						3.8 m ³ (5.00 yd ³)		
Material Density	lb/yd ³	1,348	1,517	1,685	1,854	2,022	2,191	2,359	2,528	2,696	2,865	3,033	3,202	3,370	3,539	3,707	3,876			
Bucket Fill Factor		115% 110% 105% 100% 95%																		

Note: All buckets are showing Bolt-On Edges.

962 Wheel Loader Specifications


Bucket Fill Factors and Selection Guide

The bucket size must be chosen based on the density of the material and on the expected fill factor. The Cat Performance Series Buckets with longer floor, larger bucket opening, increased repository angle, rounded side boards and integrated spill guard demonstrate fill factors significantly higher than previous generation or non-Cat buckets. The actual volume handled by the machine is thus often larger than the rated capacity.

Loose Material		Fill Factor (%)*	Material Density
Earth/Clay		115	1.5-1.7
Sand and Gravel		115	1.5-1.7
Aggregate:	25-76 mm (1 to 3 in)	110	1.6-1.7
	19 mm (0.75 in) and smaller	105	1.8
Rock:	76 mm (3 in) and larger	100	1.6

*As a % of ISO 7546:1983 rated capacity.

Note: Fill Factors achieved will also depend on whether the product is washed or not washed.

Material Density		kg/m ³	100	200	300	400	500	600	700	800	900	1000	1100	1200
Standard Linkage	Pin-On	9.2 m ³ (12.00 yd ³)					10.6 m ³ (13.75 yd ³)	9.2 m ³ (12.00 yd ³)						
		9.9 m ³ (13.00 yd ³)					11.4 m ³ (15.00 yd ³)	9.9 m ³ (13.00 yd ³)						
	Hook-On	9.2 m ³ (12.00 yd ³)					10.6 m ³ (13.75 yd ³)	9.2 m ³ (12.00 yd ³)						
		9.9 m ³ (13.00 yd ³)					11.4 m ³ (15.00 yd ³)	9.9 m ³ (13.00 yd ³)						
High Lift Linkage	Pin-On	9.2 m ³ (12.00 yd ³)					10.6 m ³ (13.75 yd ³)	9.2 m ³ (12.00 yd ³)						
		9.9 m ³ (13.00 yd ³)					11.4 m ³ (15.00 yd ³)	9.9 m ³ (13.00 yd ³)						
	Hook-On	9.2 m ³ (12.00 yd ³)					10.6 m ³ (13.75 yd ³)	9.2 m ³ (12.00 yd ³)						
		9.9 m ³ (13.00 yd ³)					11.4 m ³ (15.00 yd ³)	9.9 m ³ (13.00 yd ³)						
Aggregate Handler	Pin-On	9.2 m ³ (12.00 yd ³)					10.6 m ³ (13.75 yd ³)	9.2 m ³ (12.00 yd ³)						
		9.9 m ³ (13.00 yd ³)					11.4 m ³ (15.00 yd ³)	9.9 m ³ (13.00 yd ³)						
	Hook-On	9.2 m ³ (12.00 yd ³)					10.6 m ³ (13.75 yd ³)	9.2 m ³ (12.00 yd ³)						
		9.9 m ³ (13.00 yd ³)					11.4 m ³ (15.00 yd ³)	9.9 m ³ (13.00 yd ³)						
Material Density	lb/yd ³	169	337	506	674	843	1,011	1,180	1,348	1,517	1,685	1,854	2,022	
Bucket Fill Factor														
115% 110% 105% 100% 95%														
														

Note: All buckets are showing Bolt-On Edges.

962 Wheel Loader Specifications

Operating Specifications – Buckets

Linkage		Standard Linkage									
Bucket Type		General Purpose – Pin-On									
Edge Type		Bolt-On Cutting Edges	Teeth and Segments	Tips	Bolt-On Cutting Edges	Teeth and Segments	Tips	Bolt-On Cutting Edges	Teeth and Segments	Tips	
Capacity – Rated	m ³	3.30	3.30	3.10	3.40	3.40	3.20	3.60	3.60	3.40	
	yd ³	4.25	4.25	4.00	4.50	4.50	4.25	4.75	4.75	4.50	
Capacity – Rated at 110% Fill Factor	m ³	3.60	3.60	3.40	3.70	3.70	3.50	4.00	4.00	3.70	
	yd ³	4.75	4.75	4.50	4.75	4.75	4.50	5.25	5.25	4.75	
Width	mm	2927	2994	2994	2927	2994	2994	2927	2994	2994	
	ft/in	9'7"	9'9"	9'9"	9'7"	9'9"	9'9"	9'7"	9'9"	9'9"	
16 † Dump Clearance at Maximum Lift and 45° Discharge	mm	3039	2921	2921	3021	2902	2902	2995	2875	2875	
	ft/in	9'11"	9'7"	9'7"	9'10"	9'6"	9'6"	9'9"	9'5"	9'5"	
17 † Reach at Maximum Lift and 45° Discharge	mm	1398	1508	1508	1412	1522	1522	1434	1543	1543	
	ft/in	4'7"	4'11"	4'11"	4'7"	4'11"	4'11"	4'8"	5'0"	5'0"	
Reach at Level Lift Arm and Bucket Level	mm	2841	3002	3002	2865	3026	3026	2900	3061	3061	
	ft/in	9'3"	9'10"	9'10"	9'4"	9'11"	9'11"	9'6"	10'0"	10'0"	
A † Digging Depth	mm	103	103	73	103	103	73	103	103	73	
	in	4"	4"	2.9"	4"	4"	2.9"	4"	4"	2.9"	
12 † Overall Length	mm	8619	8792	8792	8643	8816	8816	8678	8851	8851	
	ft/in	28'4"	28'11"	28'11"	28'5"	29'0"	29'0"	28'6"	29'1"	29'1"	
B † Overall Height with Bucket at Maximum Lift	mm	5773	5773	5773	5798	5798	5798	5832	5832	5832	
	ft/in	19'0"	19'0"	19'0"	19'1"	19'1"	19'1"	19'2"	19'2"	19'2"	
Loader Clearance Circle Radius with Bucket at Carry Position	mm	6800	6886	6886	6807	6894	6894	6818	6905	6905	
	ft/in	22'4"	22'8"	22'8"	22'4"	22'8"	22'8"	22'5"	22'8"	22'8"	
Static Tipping Load, Straight (With tire deflection)	kg	13 690	13 550	13 841	13 644	13 503	13 792	13 569	13 427	13 713	
	lb	30,182	29,872	30,516	30,080	29,770	30,406	29,915	29,603	30,232	
Static Tipping Load, Straight (No tire deflection)	kg	14 430	14 288	14 588	14 385	14 243	14 539	14 311	14 169	14 461	
	lb	31,814	31,501	32,161	31,714	31,401	32,053	31,552	31,237	31,881	
Static Tipping Load, Articulated (With tire deflection)	kg	11 734	11 594	11 866	11 690	11 549	11 819	11 619	11 478	11 744	
	lb	25,870	25,560	26,161	25,773	25,462	26,057	25,617	25,305	25,892	
Static Tipping Load, Articulated (No tire deflection)	kg	12 487	12 345	12 624	12 444	12 302	12 578	12 374	12 232	12 504	
	lb	27,529	27,217	27,832	27,435	27,121	27,729	27,282	26,967	27,567	
Breakout Force (§)	kN	189	188	205	185	184	200	180	179	195	
	lbf	42,503	42,264	46,073	41,695	41,456	45,135	40,566	40,327	43,827	
Operating Weight*	kg	20 171	20 279	20 122	20 195	20 303	20 146	20 232	20 340	20 183	
	lb	44,470	44,708	44,362	44,522	44,761	44,414	44,603	44,841	44,495	

* Static tipping loads and operating weights shown are based on a machine configuration with Bridgestone 23.5R25 VJT L3 radial tires, full fluids, operator, standard counterweight, ride control, cold start, roading fenders, Product Link™, manual diff lock/open axles (front and rear), powertrain guard, secondary steering and sound suppression.

† Illustration shown with Dimension charts.

*** Rock bucket specifications are given on Bridgestone 23.5R25 VSDL L5 radial tires.

(§) Measured 100 mm (4") behind tip of cutting edge with bucket hinge pin as pivot point in accordance with ISO 14397-2:2007.

(With tire deflection) Full compliance to ISO 14397-1:2007 Sections 1 thru 6, which requires 2% verification between calculations and testing.

(No tire deflection) Compliance to ISO 14397-1:2007 Sections 1 thru 5.

Other buckets are available and offerings vary by region. Consult your local Cat dealer for further details.

962 Wheel Loader Specifications

Operating Specifications – Buckets *(continued)*

Linkage		Standard Linkage		
Bucket Type		General Purpose – Pin-On		
Edge Type		Bolt-On Cutting Edges	Teeth and Segments	Tips
Capacity – Rated	m ³	3.80	3.80	3.60
	yd ³	5.00	5.00	4.75
Capacity – Rated at 110% Fill Factor	m ³	4.20	4.20	4.00
	yd ³	5.50	5.50	5.25
Width	mm	2927	2994	2994
	ft/in	9'7"	9'9"	9'9"
16† Dump Clearance at Maximum Lift and 45° Discharge	mm	2960	2840	2840
	ft/in	9'8"	9'3"	9'3"
17† Reach at Maximum Lift and 45° Discharge	mm	1463	1572	1572
	ft/in	4'9"	5'1"	5'1"
Reach at Level Lift Arm and Bucket Level	mm	2946	3107	3107
	ft/in	9'7"	10'2"	10'2"
A† Digging Depth	mm	103	103	73
	in	4"	4"	2.9"
12† Overall Length	mm	8724	8897	8897
	ft/in	28'8"	29'3"	29'3"
B† Overall Height with Bucket at Maximum Lift	mm	5879	5879	5879
	ft/in	19'4"	19'4"	19'4"
Loader Clearance Circle Radius with Bucket at Carry Position	mm	6832	6919	6919
	ft/in	22'5"	22'9"	22'9"
Static Tipping Load, Straight (With tire deflection)	kg	13 463	13 321	13 602
	lb	29,682	29,368	29,988
Static Tipping Load, Straight (No tire deflection)	kg	14 208	14 064	14 351
	lb	31,323	31,006	31,640
Static Tipping Load, Articulated (With tire deflection)	kg	11 519	11 377	11 639
	lb	25,396	25,082	25,660
Static Tipping Load, Articulated (No tire deflection)	kg	12 276	12 132	12 400
	lb	27,065	26,748	27,339
Breakout Force (§)	kN	174	173	187
	lbf	39,159	38,920	42,206
Operating Weight*	kg	20 286	20 394	20 237
	lb	44,723	44,961	44,615

* Static tipping loads and operating weights shown are based on a machine configuration with Bridgestone 23.5R25 VJT L3 radial tires, full fluids, operator, standard counterweight, ride control, cold start, roading fenders, Product Link, manual diff lock/open axles (front and rear), powertrain guard, secondary steering and sound suppression.

† Illustration shown with Dimension charts.

*** Rock bucket specifications are given on Bridgestone 23.5R25 VSDL L5 radial tires.

(§) Measured 100 mm (4") behind tip of cutting edge with bucket hinge pin as pivot point in accordance with ISO 14397-2:2007.

(With tire deflection) Full compliance to ISO 14397-1:2007 Sections 1 thru 6, which requires 2% verification between calculations and testing.

(No tire deflection) Compliance to ISO 14397-1:2007 Sections 1 thru 5.

Other buckets are available and offerings vary by region. Consult your local Cat dealer for further details.

962 Wheel Loader Specifications

Operating Specifications – Buckets (continued)

Linkage		Standard Linkage					
Bucket Type		General Purpose – Hook-On – Fusion™					
Edge Type		Bolt-On Cutting Edges	Teeth and Segments	Tips	Bolt-On Cutting Edges	Teeth and Segments	Tips
Capacity – Rated	m ³	3.60	3.60	3.40	3.80	3.80	3.60
	yd ³	4.75	4.75	4.50	5.00	5.00	4.75
Capacity – Rated at 110% Fill Factor	m ³	4.00	4.00	3.70	4.20	4.20	4.00
	yd ³	5.25	5.25	4.75	5.50	5.50	5.25
Width	mm	2927	2994	2994	2927	2994	2994
	ft/in	9'7"	9'9"	9'9"	9'7"	9'9"	9'9"
16† Dump Clearance at Maximum Lift and 45° Discharge	mm	2955	2835	2835	2920	2800	2800
	ft/in	9'8"	9'3"	9'3"	9'6"	9'2"	9'2"
17† Reach at Maximum Lift and 45° Discharge	mm	1479	1588	1588	1508	1617	1617
	ft/in	4'10"	5'2"	5'2"	4'11"	5'3"	5'3"
Reach at Level Lift Arm and Bucket Level	mm	2960	3121	3121	3006	3167	3167
	ft/in	9'8"	10'2"	10'2"	9'10"	10'4"	10'4"
A† Digging Depth	mm	103	103	73	103	103	73
	in	4"	4"	2.9"	4"	4"	2.9"
12† Overall Length	mm	8738	8911	8911	8784	8957	8957
	ft/in	28'9"	29'3"	29'3"	28'10"	29'5"	29'5"
B† Overall Height with Bucket at Maximum Lift	mm	5866	5866	5866	5913	5913	5913
	ft/in	19'3"	19'3"	19'3"	19'5"	19'5"	19'5"
Loader Clearance Circle Radius with Bucket at Carry Position	mm	6833	6921	6921	6848	6936	6936
	ft/in	22'6"	22'9"	22'9"	22'6"	22'10"	22'10"
Static Tipping Load, Straight (With tire deflection)	kg	13 004	12 863	13 196	12 912	12 770	13 102
	lb	28,670	28,359	29,092	28,467	28,155	28,885
Static Tipping Load, Straight (No tire deflection)	kg	13 736	13 594	13 938	13 646	13 503	13 846
	lb	30,284	29,970	30,729	30,084	29,769	30,526
Static Tipping Load, Articulated (With tire deflection)	kg	11 083	10 942	11 256	10 996	10 855	11 168
	lb	24,435	24,124	24,816	24,244	23,931	24,621
Static Tipping Load, Articulated (No tire deflection)	kg	11 828	11 686	12 011	11 743	11 600	11 924
	lb	26,078	25,764	26,481	25,890	25,574	26,290
Breakout Force (§)	kN	172	171	185	166	165	179
	lbf	38,782	38,543	41,770	37,489	37,251	40,290
Operating Weight*	kg	20 676	20 784	20 627	20 721	20 829	20 672
	lb	45,581	45,820	45,473	45,681	45,919	45,573

* Static tipping loads and operating weights shown are based on a machine configuration with Bridgestone 23.5R25 VJT L3 radial tires, full fluids, operator, standard counterweight, ride control, cold start, roading fenders, Product Link, manual diff lock/open axles (front and rear), powertrain guard, secondary steering and sound suppression.

† Illustration shown with Dimension charts.

*** Rock bucket specifications are given on Bridgestone 23.5R25 VSDL L5 radial tires.

(§) Measured 100 mm (4") behind tip of cutting edge with bucket hinge pin as pivot point in accordance with ISO 14397-2:2007.

(With tire deflection) Full compliance to ISO 14397-1:2007 Sections 1 thru 6, which requires 2% verification between calculations and testing.

(No tire deflection) Compliance to ISO 14397-1:2007 Sections 1 thru 5.

Other buckets are available and offerings vary by region. Consult your local Cat dealer for further details.

962 Wheel Loader Specifications

Operating Specifications – Buckets (continued)

Linkage		Standard Linkage								
Bucket Type		Flat Floor – Pin-On								
Edge Type		Bolt-On Cutting Edges	Teeth and Segments	Tips	Bolt-On Cutting Edges	Teeth and Segments	Tips	Bolt-On Cutting Edges	Teeth and Segments	Tips
Capacity – Rated	m ³	3.40	3.40	3.20	3.60	3.60	3.40	3.80	3.80	3.60
	yd ³	4.50	4.50	4.25	4.75	4.75	4.50	5.00	5.00	4.75
Capacity – Rated at 110% Fill Factor	m ³	3.70	3.70	3.50	4.00	4.00	3.70	4.20	4.20	4.00
	yd ³	4.75	4.75	4.50	5.25	5.25	4.75	5.50	5.50	5.25
Width	mm	2927	2994	2994	2927	2994	2994	2927	2994	2994
	ft/in	9'7"	9'9"	9'9"	9'7"	9'9"	9'9"	9'7"	9'9"	9'9"
16 † Dump Clearance at Maximum Lift and 45° Discharge	mm	2963	2837	2837	2931	2806	2806	2895	2770	2770
	ft/in	9'8"	9'3"	9'3"	9'7"	9'2"	9'2"	9'5"	9'1"	9'1"
17 † Reach at Maximum Lift and 45° Discharge	mm	1346	1448	1448	1378	1480	1480	1414	1516	1516
	ft/in	4'5"	4'9"	4'9"	4'6"	4'10"	4'10"	4'7"	4'11"	4'11"
Reach at Level Lift Arm and Bucket Level	mm	2875	3036	3036	2920	3081	3081	2971	3132	3132
	ft/in	9'5"	9'11"	9'11"	9'6"	10'1"	10'1"	9'8"	10'3"	10'3"
A † Digging Depth	mm	103	103	73	103	103	73	103	103	73
	in	4"	4"	2.9"	4"	4"	2.9"	4"	4"	2.9"
12 † Overall Length	mm	8653	8826	8826	8698	8871	8871	8749	8922	8922
	ft/in	28'5"	29'0"	29'0"	28'7"	29'2"	29'2"	28'9"	29'4"	29'4"
B † Overall Height with Bucket at Maximum Lift	mm	5768	5768	5768	5816	5816	5816	5864	5864	5864
	ft/in	19'0"	19'0"	19'0"	19'1"	19'1"	19'1"	19'3"	19'3"	19'3"
Loader Clearance Circle Radius with Bucket at Carry Position	mm	6810	6897	6897	6824	6911	6911	6840	6927	6927
	ft/in	22'5"	22'8"	22'8"	22'5"	22'9"	22'9"	22'6"	22'9"	22'9"
Static Tipping Load, Straight (With tire deflection)	kg	13 490	13 351	13 632	13 397	13 256	13 534	13 288	13 147	13 420
	lb	29,741	29,434	30,054	29,535	29,226	29,837	29,296	28,985	29,588
Static Tipping Load, Straight (No tire deflection)	kg	14 213	14 072	14 360	14 121	13 980	14 263	14 014	13 872	14 151
	lb	31,335	31,025	31,658	31,133	30,820	31,445	30,897	30,582	31,198
Static Tipping Load, Articulated (With tire deflection)	kg	11 558	11 418	11 681	11 470	11 329	11 589	11 367	11 226	11 482
	lb	25,481	25,173	25,754	25,287	24,977	25,550	25,061	24,749	25,313
Static Tipping Load, Articulated (No tire deflection)	kg	12 294	12 153	12 422	12 207	12 066	12 330	12 107	11 964	12 225
	lb	27,104	26,793	27,386	26,913	26,601	27,185	26,691	26,376	26,951
Breakout Force (§)	kN	184	182	199	177	176	191	170	169	184
	lbf	41,357	41,118	44,743	39,939	39,700	43,104	38,428	38,189	41,367
Operating Weight*	kg	20 197	20 305	20 148	20 241	20 349	20 192	20 295	20 403	20 246
	lb	44,527	44,765	44,419	44,623	44,861	44,515	44,742	44,980	44,634

* Static tipping loads and operating weights shown are based on a machine configuration with Bridgestone 23.5R25 VJT L3 radial tires, full fluids, operator, standard counterweight, ride control, cold start, roading fenders, Product Link, manual diff lock/open axles (front and rear), powertrain guard, secondary steering and sound suppression.

† Illustration shown with Dimension charts.

*** Rock bucket specifications are given on Bridgestone 23.5R25 VSDL L5 radial tires.

(§) Measured 100 mm (4") behind tip of cutting edge with bucket hinge pin as pivot point in accordance with ISO 14397-2:2007.

(With tire deflection) Full compliance to ISO 14397-1:2007 Sections 1 thru 6, which requires 2% verification between calculations and testing.

(No tire deflection) Compliance to ISO 14397-1:2007 Sections 1 thru 5.

Other buckets are available and offerings vary by region. Consult your local Cat dealer for further details.

962 Wheel Loader Specifications

Operating Specifications – Buckets (continued)

Linkage		Standard Linkage				
Bucket Type		Flat Floor – Pin-On – BGE – FMT			Flat Floor – Pin-On – Light Material	
		Tips	Tips	Tips	Bolt-On Cutting Edges	Bolt-On Cutting Edges
Capacity – Rated	m ³	3.40	3.60	3.80	4.60	4.60
	yd ³	4.50	4.75	5.00	6.00	6.00
Capacity – Rated at 110% Fill Factor	m ³	3.70	4.00	4.20	5.00	5.00
	yd ³	4.75	5.25	5.50	6.50	6.50
Width	mm	2994	2995	2995	3059	3338
	ft/in	9'9"	9'9"	9'9"	10'0"	10'11"
16 † Dump Clearance at Maximum Lift and 45° Discharge	mm	2855	2788	2757	2831	2836
	ft/in	9'4"	9'1"	9'0"	9'3"	9'3"
17 † Reach at Maximum Lift and 45° Discharge	mm	1484	1552	1583	1471	1487
	ft/in	4'10"	5'1"	5'2"	4'9"	4'10"
Reach at Level Lift Arm and Bucket Level	mm	3049	3144	3188	3057	3065
	ft/in	10'0"	10'3"	10'5"	10'0"	10'0"
A † Digging Depth	mm	76	76	76	73	93
	in	3"	3"	3"	2.9"	3.7"
12 † Overall Length	mm	8812	8907	8951	8839	8836
	ft/in	28'11"	29'3"	29'5"	29'0"	29'0"
B † Overall Height with Bucket at Maximum Lift	mm	5834	5864	5907	6000	5715
	ft/in	19'2"	19'3"	19'5"	19'9"	18'9"
Loader Clearance Circle Radius with Bucket at Carry Position	mm	6886	6916	6930	6927	7048
	ft/in	22'8"	22'9"	22'9"	22'9"	23'2"
Static Tipping Load, Straight (With tire deflection)	kg	13 387	13 166	13 056	12 971	13 072
	lb	29,514	29,026	28,784	28,598	28,820
Static Tipping Load, Straight (No tire deflection)	kg	14 115	13 892	13 783	13 705	13 779
	lb	31,119	30,626	30,386	30,215	30,377
Static Tipping Load, Articulated (With tire deflection)	kg	11 445	11 237	11 133	11 059	11 179
	lb	25,232	24,774	24,544	24,381	24,646
Static Tipping Load, Articulated (No tire deflection)	kg	12 186	11 976	11 873	11 806	11 900
	lb	26,865	26,403	26,175	26,028	26,235
Breakout Force (§)	kN	195	180	174	170	160
	lbf	43,852	40,609	39,231	38,213	36,055
Operating Weight*	kg	20 371	20 468	20 528	20 524	20 321
	lb	44,910	45,124	45,256	45,248	44,800

* Static tipping loads and operating weights shown are based on a machine configuration with Bridgestone 23.5R25 VJT L3 radial tires, full fluids, operator, standard counterweight, ride control, cold start, roading fenders, Product Link, manual diff lock/open axles (front and rear), powertrain guard, secondary steering and sound suppression.

† Illustration shown with Dimension charts.

*** Rock bucket specifications are given on Bridgestone 23.5R25 VSDL L5 radial tires.

(§) Measured 100 mm (4") behind tip of cutting edge with bucket hinge pin as pivot point in accordance with ISO 14397-2:2007.

(With tire deflection) Full compliance to ISO 14397-1:2007 Sections 1 thru 6, which requires 2% verification between calculations and testing.

(No tire deflection) Compliance to ISO 14397-1:2007 Sections 1 thru 5.

Other buckets are available and offerings vary by region. Consult your local Cat dealer for further details.

962 Wheel Loader Specifications

Operating Specifications – Buckets (continued)

Linkage		Standard Linkage							
Bucket Type		Flat Floor – Hook-On – Fusion						Flat Floor – Hook-On – Fusion – BGE – FMT	
Edge Type		Bolt-On Cutting Edges	Teeth and Segments	Tips	Bolt-On Cutting Edges	Teeth and Segments	Tips	Tips	Tips
Capacity – Rated	m ³	3.60	3.60	3.40	3.80	3.80	3.70	3.40	3.80
	yd ³	4.75	4.75	4.50	5.00	5.00	4.75	4.50	5.00
Capacity – Rated at 110% Fill Factor	m ³	4.00	4.00	3.70	4.20	4.20	4.00	3.70	4.20
	yd ³	5.25	5.25	4.75	5.50	5.50	5.25	4.75	5.50
Width	mm	2927	2994	2994	2927	2994	2994	2995	2995
	ft/in	9'7"	9'9"	9'9"	9'7"	9'9"	9'9"	9'9"	9'9"
16 † Dump Clearance at Maximum Lift and 45° Discharge	mm	2889	2763	2763	2836	2710	2710	2673	2598
	ft/in	9'5"	9'0"	9'0"	9'3"	8'10"	8'10"	8'9"	8'6"
17 † Reach at Maximum Lift and 45° Discharge	mm	1420	1522	1522	1473	1575	1575	1554	1628
	ft/in	4'7"	4'11"	4'11"	4'10"	5'2"	5'2"	5'1"	5'4"
Reach at Level Lift Arm and Bucket Level	mm	2980	3141	3141	3055	3216	3216	3227	3332
	ft/in	9'9"	10'3"	10'3"	10'0"	10'6"	10'6"	10'7"	10'11"
A † Digging Depth	mm	103	103	73	103	103	73	76	76
	in	4"	4"	2.9"	4"	4"	2.9"	3"	3"
12 † Overall Length	mm	8758	8931	8931	8833	9006	9006	9046	9151
	ft/in	28'9"	29'4"	29'4"	29'0"	29'7"	29'7"	29'9"	30'1"
B † Overall Height with Bucket at Maximum Lift	mm	5845	5845	5845	5910	5910	5910	5846	5962
	ft/in	19'3"	19'3"	19'3"	19'5"	19'5"	19'5"	19'3"	19'7"
Loader Clearance Circle Radius with Bucket at Carry Position	mm	6840	6928	6928	6864	6952	6952	6973	7007
	ft/in	22'6"	22'9"	22'9"	22'7"	22'10"	22'10"	22'11"	23'0"
Static Tipping Load, Straight (With tire deflection)	kg	12 841	12 701	13 024	12 514	12 375	12 696	12 593	12 367
	lb	28,311	28,002	28,714	27,589	27,282	27,990	27,762	27,266
Static Tipping Load, Straight (No tire deflection)	kg	13 556	13 414	13 748	13 212	13 071	13 404	13 304	13 081
	lb	29,886	29,574	30,310	29,128	28,818	29,551	29,330	28,838
Static Tipping Load, Articulated (With tire deflection)	kg	10 942	10 802	11 108	10 646	10 506	10 810	10 691	10 478
	lb	24,124	23,815	24,489	23,471	23,163	23,832	23,570	23,100
Static Tipping Load, Articulated (No tire deflection)	kg	11 670	11 529	11 845	11 359	11 218	11 532	11 416	11 205
	lb	25,729	25,418	26,114	25,042	24,732	25,424	25,169	24,703
Breakout Force (§)	kN	170	168	182	160	159	172	177	165
	lbf	38,207	37,968	41,111	36,152	35,913	38,769	39,922	37,126
Operating Weight*	kg	20 684	20 792	20 635	20 790	20 898	20 741	20 941	21 064
	lb	45,599	45,838	45,491	45,833	46,071	45,725	46,166	46,437

* Static tipping loads and operating weights shown are based on a machine configuration with Bridgestone 23.5R25 VJT L3 radial tires, full fluids, operator, standard counterweight, ride control, cold start, roading fenders, Product Link, manual diff lock/open axles (front and rear), powertrain guard, secondary steering and sound suppression.

† Illustration shown with Dimension charts.

*** Rock bucket specifications are given on Bridgestone 23.5R25 VSDL L5 radial tires.

(§) Measured 100 mm (4") behind tip of cutting edge with bucket hinge pin as pivot point in accordance with ISO 14397-2:2007.

(With tire deflection) Full compliance to ISO 14397-1:2007 Sections 1 thru 6, which requires 2% verification between calculations and testing.

(No tire deflection) Compliance to ISO 14397-1:2007 Sections 1 thru 5.

Other buckets are available and offerings vary by region. Consult your local Cat dealer for further details.

962 Wheel Loader Specifications

Operating Specifications – Buckets (continued)

Linkage		Standard Linkage					
Bucket Type		Multi-Purpose – Pin-On			Multi-Purpose – Hook-On – Fusion		
Edge Type		Bolt-On Cutting Edges	Teeth and Segments	Tips	Bolt-On Cutting Edges	Teeth and Segments	Tips
Capacity – Rated	m ³	2.90	2.90	2.70	2.90	2.90	2.70
	yd ³	3.75	3.75	3.50	3.75	3.75	3.50
Capacity – Rated at 110% Fill Factor	m ³	3.20	3.20	3.00	3.20	3.20	3.00
	yd ³	4.25	4.25	4.00	4.25	4.25	4.00
Width	mm	2943	3020	3020	3007	3000	3000
	ft/in	9'7"	9'10"	9'10"	9'10"	9'10"	9'10"
16† Dump Clearance at Maximum Lift and 45° Discharge	mm	3216	3090	3090	3178	3068	3068
	ft/in	10'6"	10'1"	10'1"	10'5"	10'0"	10'0"
17† Reach at Maximum Lift and 45° Discharge	mm	1381	1507	1507	1471	1590	1590
	ft/in	4'6"	4'11"	4'11"	4'9"	5'2"	5'2"
Reach at Level Lift Arm and Bucket Level	mm	2688	2864	2864	2783	2944	2944
	ft/in	8'9"	9'4"	9'4"	9'1"	9'7"	9'7"
A† Digging Depth	mm	104	104	104	83	83	53
	in	4.1"	4.1"	4.1"	3.3"	3.3"	2.1"
12† Overall Length	mm	8467	8662	8662	8547	8722	8722
	ft/in	27'10"	28'6"	28'6"	28'1"	28'8"	28'8"
B† Overall Height with Bucket at Maximum Lift	mm	5535	5535	5535	5607	5607	5607
	ft/in	18'2"	18'2"	18'2"	18'5"	18'5"	18'5"
Loader Clearance Circle Radius with Bucket at Carry Position	mm	6762	6860	6860	6806	6860	6860
	ft/in	22'3"	22'7"	22'7"	22'4"	22'7"	22'7"
Static Tipping Load, Straight (With tire deflection)	kg	13 424	13 252	13 581	12 701	12 573	12 881
	lb	29,594	29,216	29,942	28,001	27,719	28,399
Static Tipping Load, Straight (No tire deflection)	kg	14 148	13 975	14 317	13 422	13 293	13 614
	lb	31,192	30,810	31,565	29,590	29,306	30,014
Static Tipping Load, Articulated (With tire deflection)	kg	11 476	11 304	11 613	10 786	10 658	10 947
	lb	25,300	24,921	25,604	23,780	23,497	24,135
Static Tipping Load, Articulated (No tire deflection)	kg	12 213	12 040	12 362	11 521	11 391	11 693
	lb	26,927	26,544	27,254	25,399	25,114	25,779
Breakout Force (§)	kN	213	212	213	196	194	213
	lbf	48,021	47,712	48,027	44,047	43,816	47,903
Operating Weight*	kg	20 446	20 581	20 428	21 001	21 101	20 959
	lb	45,075	45,373	45,035	46,299	46,519	46,206

* Static tipping loads and operating weights shown are based on a machine configuration with Bridgestone 23.5R25 VJT L3 radial tires, full fluids, operator, standard counterweight, ride control, cold start, roading fenders, Product Link, manual diff lock/open axles (front and rear), powertrain guard, secondary steering and sound suppression.

† Illustration shown with Dimension charts.

*** Rock bucket specifications are given on Bridgestone 23.5R25 VSDL L5 radial tires.

(§) Measured 100 mm (4") behind tip of cutting edge with bucket hinge pin as pivot point in accordance with ISO 14397-2:2007.

(With tire deflection) Full compliance to ISO 14397-1:2007 Sections 1 thru 6, which requires 2% verification between calculations and testing.

(No tire deflection) Compliance to ISO 14397-1:2007 Sections 1 thru 5.

Other buckets are available and offerings vary by region. Consult your local Cat dealer for further details.

962 Wheel Loader Specifications

Operating Specifications – Buckets (continued)

Linkage		Standard Linkage			
Bucket Type		High Dump – Pin-On			High Dump – Pin-On – Abrasion
		Bolt-On Cutting Edges	Bolt-On Cutting Edges	Bolt-On Cutting Edges	Bolt-On Cutting Edges
Edge Type					
Capacity – Rated	m ³	5.10	7.60	9.20	8.20
	yd ³	6.75	10.00	12.00	10.75
Capacity – Rated at 110% Fill Factor	m ³	5.60	8.40	10.10	9.00
	yd ³	7.25	11.00	13.25	11.75
Width	mm	3029	3350	3350	3205
	ft/in	9'11"	10'11"	10'11"	10'6"
16† Dump Clearance at Maximum Lift and 45° Discharge	mm	2664	2467	2326	2465
	ft/in	8'8"	8'1"	7'7"	8'1"
17† Reach at Maximum Lift and 45° Discharge	mm	1655	1842	1983	1844
	ft/in	5'5"	6'0"	6'6"	6'0"
Reach at Level Lift Arm and Bucket Level	mm	3305	3576	3776	3580
	ft/in	10'10"	11'8"	12'4"	11'8"
A† Digging Depth	mm	96	73	73	103
	in	3.7"	2.9"	2.9"	4"
12† Overall Length	mm	9078	9354	9554	9358
	ft/in	29'10"	30'9"	31'5"	30'9"
B† Overall Height with Bucket at Maximum Lift	mm	6280	6262	6463	6691
	ft/in	20'8"	20'7"	21'3"	22'0"
Loader Clearance Circle Radius with Bucket at Carry Position	mm	6989	7221	7289	7159
	ft/in	23'0"	23'9"	23'11"	23'6"
Static Tipping Load, Straight (With tire deflection)	kg	11 982	11 431	11 086	10 604
	lb	26,416	25,201	24,441	23,379
Static Tipping Load, Straight (No tire deflection)	kg	12 699	12 178	11 836	11 327
	lb	27,997	26,848	26,095	24,973
Static Tipping Load, Articulated (With tire deflection)	kg	10 142	9586	9262	8790
	lb	22,359	21,133	20,419	19,378
Static Tipping Load, Articulated (No tire deflection)	kg	10 873	10 347	10 026	9527
	lb	23,971	22,811	22,104	21,005
Breakout Force (§)	kN	134	119	106	110
	lbf	30,232	26,770	23,909	24,768
Operating Weight*	kg	20 949	21 510	21 683	22 103
	lb	46,184	47,421	47,802	48,728

* Static tipping loads and operating weights shown are based on a machine configuration with Bridgestone 23.5R25 VJT L3 radial tires, full fluids, operator, standard counterweight, ride control, cold start, roading fenders, Product Link, manual diff lock/open axles (front and rear), powertrain guard, secondary steering and sound suppression.

† Illustration shown with Dimension charts.

*** Rock bucket specifications are given on Bridgestone 23.5R25 VSDL L5 radial tires.

(§) Measured 100 mm (4") behind tip of cutting edge with bucket hinge pin as pivot point in accordance with ISO 14397-2:2007.

(With tire deflection) Full compliance to ISO 14397-1:2007 Sections 1 thru 6, which requires 2% verification between calculations and testing.

(No tire deflection) Compliance to ISO 14397-1:2007 Sections 1 thru 5.

Other buckets are available and offerings vary by region. Consult your local Cat dealer for further details.

962 Wheel Loader Specifications

Operating Specifications – Buckets (continued)

Linkage		Standard Linkage		
Bucket Type		High Dump – Hook-On – Fusion		
Edge Type		Bolt-On Cutting Edges	Bolt-On Cutting Edges	Bolt-On Cutting Edges
Capacity – Rated	m ³	6.10	7.60	9.20
	yd ³	8.00	10.00	12.00
Capacity – Rated at 110% Fill Factor	m ³	6.70	8.40	10.10
	yd ³	8.75	11.00	13.25
Width	mm	3037	3350	3350
	ft/in	9'11"	10'11"	10'11"
16† Dump Clearance at Maximum Lift and 45° Discharge	mm	2493	2421	2280
	ft/in	8'2"	7'11"	7'5"
17† Reach at Maximum Lift and 45° Discharge	mm	1816	1888	2029
	ft/in	5'11"	6'2"	6'7"
Reach at Level Lift Arm and Bucket Level	mm	3540	3641	3841
	ft/in	11'7"	11'11"	12'7"
A† Digging Depth	mm	103	73	73
	in	4"	2.9"	2.9"
12† Overall Length	mm	9318	9419	9619
	ft/in	30'7"	30'11"	31'7"
B† Overall Height with Bucket at Maximum Lift	mm	6237	6303	6504
	ft/in	20'6"	20'9"	21'5"
Loader Clearance Circle Radius with Bucket at Carry Position	mm	7073	7243	7312
	ft/in	23'3"	23'10"	24'0"
Static Tipping Load, Straight (With tire deflection)	kg	10 680	10 781	10 447
	lb	23,547	23,770	23,032
Static Tipping Load, Straight (No tire deflection)	kg	11 362	11 514	11 181
	lb	25,049	25,384	24,651
Static Tipping Load, Articulated (With tire deflection)	kg	8921	8964	8650
	lb	19,667	19,763	19,070
Static Tipping Load, Articulated (No tire deflection)	kg	9618	9711	9398
	lb	21,205	21,409	20,720
Breakout Force (§)	kN	115	114	102
	lbf	26,026	25,672	22,980
Operating Weight*	kg	21 858	22 077	22 249
	lb	48,188	48,671	49,050

* Static tipping loads and operating weights shown are based on a machine configuration with Bridgestone 23.5R25 VJT L3 radial tires, full fluids, operator, standard counterweight, ride control, cold start, roading fenders, Product Link, manual diff lock/open axles (front and rear), powertrain guard, secondary steering and sound suppression.

† Illustration shown with Dimension charts.

*** Rock bucket specifications are given on Bridgestone 23.5R25 VSDL L5 radial tires.

(§) Measured 100 mm (4") behind tip of cutting edge with bucket hinge pin as pivot point in accordance with ISO 14397-2:2007.

(With tire deflection) Full compliance to ISO 14397-1:2007 Sections 1 thru 6, which requires 2% verification between calculations and testing.

(No tire deflection) Compliance to ISO 14397-1:2007 Sections 1 thru 5.

Other buckets are available and offerings vary by region. Consult your local Cat dealer for further details.

962 Wheel Loader Specifications

Operating Specifications – Buckets (continued)

Linkage		Standard Linkage			
Bucket Type		Woodchip – Pin-On		Woodchip – Hook-On – Fusion	
Edge Type		Bolt-On Cutting Edges	Bolt-On Cutting Edges	Bolt-On Cutting Edges	Bolt-On Cutting Edges
Capacity – Rated	m ³	9.20	9.90	9.20	9.90
	yd ³	12.00	13.00	12.00	13.00
Capacity – Rated at 110% Fill Factor	m ³	10.10	10.90	10.10	10.90
	yd ³	13.25	14.25	13.25	14.25
Width	mm	3330	3330	3330	3330
	ft/in	10'11"	10'11"	10'11"	10'11"
16† Dump Clearance at Maximum Lift and 45° Discharge	mm	2450	2375	2357	2353
	ft/in	8'0"	7'9"	7'8"	7'8"
17† Reach at Maximum Lift and 45° Discharge	mm	1866	1941	1959	1963
	ft/in	6'1"	6'4"	6'5"	6'5"
Reach at Level Lift Arm and Bucket Level	mm	3605	3711	3737	3743
	ft/in	11'9"	12'2"	12'3"	12'3"
A† Digging Depth	mm	98	98	98	98
	in	3.8"	3.8"	3.8"	3.8"
12† Overall Length	mm	9380	9486	9512	9518
	ft/in	30'10"	31'2"	31'3"	31'3"
B† Overall Height with Bucket at Maximum Lift	mm	6454	6546	6512	6563
	ft/in	21'3"	21'6"	21'5"	21'7"
Loader Clearance Circle Radius with Bucket at Carry Position	mm	7220	7256	7266	7268
	ft/in	23'9"	23'10"	23'11"	23'11"
Static Tipping Load, Straight (With tire deflection)	kg	12 184	12 105	10 906	10 954
	lb	26,862	26,688	24,045	24,150
Static Tipping Load, Straight (No tire deflection)	kg	12 955	12 885	11 586	11 642
	lb	28,561	28,407	25,544	25,666
Static Tipping Load, Articulated (With tire deflection)	kg	10 328	10 243	9172	9214
	lb	22,771	22,583	20,222	20,314
Static Tipping Load, Articulated (No tire deflection)	kg	11 112	11 036	9868	9918
	lb	24,499	24,331	21,756	21,866
Breakout Force (§)	kN	114	107	106	105
	lbf	25,658	24,210	23,948	23,808
Operating Weight*	kg	20 783	20 875	21 418	21 379
	lb	45,818	46,021	47,218	47,132

* Static tipping loads and operating weights shown are based on a machine configuration with Bridgestone 23.5R25 VJT L3 radial tires, full fluids, operator, standard counterweight, ride control, cold start, roading fenders, Product Link, manual diff lock/open axles (front and rear), powertrain guard, secondary steering and sound suppression.

† Illustration shown with Dimension charts.

*** Rock bucket specifications are given on Bridgestone 23.5R25 VSDL L5 radial tires.

(§) Measured 100 mm (4") behind tip of cutting edge with bucket hinge pin as pivot point in accordance with ISO 14397-2:2007.

(With tire deflection) Full compliance to ISO 14397-1:2007 Sections 1 thru 6, which requires 2% verification between calculations and testing.

(No tire deflection) Compliance to ISO 14397-1:2007 Sections 1 thru 5.

Other buckets are available and offerings vary by region. Consult your local Cat dealer for further details.

Operating Specifications – Buckets (continued)

Linkage		Standard Linkage	
Bucket Type		Rock, Spade – Pin-On***	Rock, Straight – Pin-On***
Edge Type		Teeth and Segments	Teeth and Segments
Capacity – Rated	m ³	3.40	3.30
	yd ³	4.50	4.25
Capacity – Rated at 110% Fill Factor	m ³	3.70	3.60
	yd ³	4.75	4.75
Width	mm	2995	2937
	ft/in	9'9"	9'7"
16† Dump Clearance at Maximum Lift and 45° Discharge	mm	2858	3023
	ft/in	9'4"	9'11"
17† Reach at Maximum Lift and 45° Discharge	mm	1629	1440
	ft/in	5'4"	4'8"
Reach at Level Lift Arm and Bucket Level	mm	3168	2916
	ft/in	10'4"	9'6"
A† Digging Depth	mm	39	36
	in	1.5"	1.4"
12† Overall Length	mm	8949	8697
	ft/in	29'5"	28'7"
B† Overall Height with Bucket at Maximum Lift	mm	5856	5856
	ft/in	19'3"	19'3"
Loader Clearance Circle Radius with Bucket at Carry Position	mm	6949	6843
	ft/in	22'10"	22'6"
Static Tipping Load, Straight (With tire deflection)	kg	13,793	13,997
	lb	30,408	30,859
Static Tipping Load, Straight (No tire deflection)	kg	14,570	14,776
	lb	32,122	32,577
Static Tipping Load, Articulated (With tire deflection)	kg	11,776	11,981
	lb	25,962	26,414
Static Tipping Load, Articulated (No tire deflection)	kg	12,566	12,773
	lb	27,705	28,161
Breakout Force (§)	kN	169	194
	lbf	38,002	43,731
Operating Weight*	kg	21,184	21,030
	lb	46,703	46,362

* Static tipping loads and operating weights shown are based on a machine configuration with Bridgestone 23.5R25 VJT L3 radial tires, full fluids, operator, standard counterweight, ride control, cold start, roading fenders, Product Link, manual diff lock/open axles (front and rear), powertrain guard, secondary steering and sound suppression.

† Illustration shown with Dimension charts.

*** Rock bucket specifications are given on Bridgestone 23.5R25 VSDL L5 radial tires.

(§) Measured 100 mm (4") behind tip of cutting edge with bucket hinge pin as pivot point in accordance with ISO 14397-2:2007.

(With tire deflection) Full compliance to ISO 14397-1:2007 Sections 1 thru 6, which requires 2% verification between calculations and testing.

(No tire deflection) Compliance to ISO 14397-1:2007 Sections 1 thru 5.

Other buckets are available and offerings vary by region. Consult your local Cat dealer for further details.

962 Wheel Loader Specifications

Operating Specifications – Buckets *(continued)*

Linkage		Standard Linkage	
Bucket Type		Side Dump – Pin-On	Side Dump – Hook-On – Fusion
Edge Type		Bolt-On Cutting Edges	Bolt-On Cutting Edges
Capacity – Rated	m ³	2.90	2.90
	yd ³	3.75	3.75
Capacity – Rated at 110% Fill Factor	m ³	3.20	3.20
	yd ³	4.25	4.25
Width	mm	3220	3220
	ft/in	10'6"	10'6"
16† Dump Clearance at Maximum Lift and 45° Discharge	mm	2940	2941
	ft/in	9'7"	9'7"
17† Reach at Maximum Lift and 45° Discharge	mm	1362	1361
	ft/in	4'5"	4'5"
Reach at Level Lift Arm and Bucket Level	mm	2902	2901
	ft/in	9'6"	9'6"
A† Digging Depth	mm	109	108
	in	4.3"	4.2"
12† Overall Length	mm	8684	8683
	ft/in	28'6"	28'6"
B† Overall Height with Bucket at Maximum Lift	mm	5730	5722
	ft/in	18'10"	18'10"
Loader Clearance Circle Radius with Bucket at Carry Position	mm	6927	6947
	ft/in	22'9"	22'10"
Static Tipping Load, Straight (With tire deflection)	kg	12 503	12 219
	lb	27,565	26,938
Static Tipping Load, Straight (No tire deflection)	kg	13 220	12 934
	lb	29,145	28,516
Static Tipping Load, Articulated (With tire deflection)	kg	10 625	10 341
	lb	23,425	22,799
Static Tipping Load, Articulated (No tire deflection)	kg	11 356	11 071
	lb	25,037	24,408
Breakout Force (§)	kN	175	177
	lbf	39,330	39,890
Operating Weight*	kg	20 784	21 240
	lb	45,820	46,826

* Static tipping loads and operating weights shown are based on a machine configuration with Bridgestone 23.5R25 VJT L3 radial tires, full fluids, operator, standard counterweight, ride control, cold start, roading fenders, Product Link, manual diff lock/open axles (front and rear), powertrain guard, secondary steering and sound suppression.

† Illustration shown with Dimension charts.

*** Rock bucket specifications are given on Bridgestone 23.5R25 VSDL L5 radial tires.

(§) Measured 100 mm (4") behind tip of cutting edge with bucket hinge pin as pivot point in accordance with ISO 14397-2:2007.

(With tire deflection) Full compliance to ISO 14397-1:2007 Sections 1 thru 6, which requires 2% verification between calculations and testing.

(No tire deflection) Compliance to ISO 14397-1:2007 Sections 1 thru 5.

Other buckets are available and offerings vary by region. Consult your local Cat dealer for further details.

962 Wheel Loader Specifications

Operating Specifications – Buckets (continued)

Linkage		High Lift Linkage									
Bucket Type		General Purpose – Pin-On									
Edge Type		Bolt-On Cutting Edges	Teeth and Segments	Tips	Bolt-On Cutting Edges	Teeth and Segments	Tips	Bolt-On Cutting Edges	Teeth and Segments	Tips	
Capacity – Rated	m ³	3.30	3.30	3.10	3.40	3.40	3.20	3.60	3.60	3.40	
	yd ³	4.25	4.25	4.00	4.50	4.50	4.25	4.75	4.75	4.50	
Capacity – Rated at 110% Fill Factor	m ³	3.60	3.60	3.40	3.70	3.70	3.50	4.00	4.00	3.70	
	yd ³	4.75	4.75	4.50	4.75	4.75	4.50	5.25	5.25	4.75	
Width	mm	2927	2994	2994	2927	2994	2994	2927	2994	2994	
	ft/in	9'7"	9'9"	9'9"	9'7"	9'9"	9'9"	9'7"	9'9"	9'9"	
16 † Dump Clearance at Maximum Lift and 45° Discharge	mm	3328	3209	3209	3310	3190	3190	3283	3164	3164	
	ft/in	10'11"	10'6"	10'6"	10'10"	10'5"	10'5"	10'9"	10'4"	10'4"	
17 † Reach at Maximum Lift and 45° Discharge	mm	1499	1609	1609	1514	1624	1624	1536	1645	1645	
	ft/in	4'11"	5'3"	5'3"	4'11"	5'3"	5'3"	5'0"	5'4"	5'4"	
Reach at Level Lift Arm and Bucket Level	mm	3118	3279	3279	3142	3303	3303	3177	3338	3338	
	ft/in	10'2"	10'9"	10'9"	10'3"	10'10"	10'10"	10'5"	10'11"	10'11"	
A † Digging Depth	mm	109	109	79	109	109	79	109	109	79	
	in	4.3"	4.3"	3.1"	4.3"	4.3"	3.1"	4.3"	4.3"	3.1"	
12 † Overall Length	mm	9013	9184	9184	9037	9208	9208	9072	9243	9243	
	ft/in	29'7"	30'2"	30'2"	29'8"	30'3"	30'3"	29'10"	30'4"	30'4"	
B † Overall Height with Bucket at Maximum Lift	mm	6061	6061	6061	6087	6087	6087	6121	6121	6121	
	ft/in	19'11"	19'11"	19'11"	20'0"	20'0"	20'0"	20'1"	20'1"	20'1"	
Loader Clearance Circle Radius with Bucket at Carry Position	mm	6958	7050	7050	6966	7058	7058	6977	7069	7069	
	ft/in	22'10"	23'2"	23'2"	22'11"	23'2"	23'2"	22'11"	23'3"	23'3"	
Static Tipping Load, Straight (With tire deflection)	kg	13 055	12 918	13 191	13 012	12 874	13 145	12 942	12 804	13 071	
	lb	28,782	28,480	29,082	28,687	28,384	28,979	28,533	28,228	28,817	
Static Tipping Load, Straight (No tire deflection)	kg	13 708	13 570	13 848	13 666	13 527	13 802	13 597	13 458	13 730	
	lb	30,222	29,917	30,530	30,129	29,823	30,429	29,978	29,671	30,270	
Static Tipping Load, Articulated (With tire deflection)	kg	11 117	10 980	11 235	11 076	10 938	11 191	11 009	10 871	11 122	
	lb	24,509	24,207	24,770	24,418	24,115	24,673	24,272	23,967	24,519	
Static Tipping Load, Articulated (No tire deflection)	kg	11 792	11 653	11 913	11 751	11 613	11 870	11 687	11 547	11 802	
	lb	25,997	25,692	26,265	25,908	25,602	26,170	25,765	25,458	26,019	
Breakout Force (§)	kN	187	186	203	184	182	199	179	177	193	
	lbf	42,168	41,914	45,695	41,366	41,113	44,763	40,245	39,992	43,466	
Operating Weight*	kg	20 843	20 951	20 794	20 867	20 975	20 818	20 903	21 011	20 854	
	lb	45,950	46,188	45,842	46,003	46,241	45,895	46,083	46,321	45,975	

* Static tipping loads and operating weights shown are based on a machine configuration with Bridgestone 23.5R25 VJT L3 radial tires, full fluids, operator, high lift counterweight, ride control, cold start, roading fenders, Product Link, manual diff lock/open axles (front and rear), powertrain guard, secondary steering and sound suppression.

† Illustration shown with Dimension charts.

*** Rock bucket specifications are given on Bridgestone 23.5R25 VSDL L5 radial tires.

(§) Measured 100 mm (4") behind tip of cutting edge with bucket hinge pin as pivot point in accordance with ISO 14397-2:2007.

(With tire deflection) Full compliance to ISO 14397-1:2007 Sections 1 thru 6, which requires 2% verification between calculations and testing.

(No tire deflection) Compliance to ISO 14397-1:2007 Sections 1 thru 5.

Other buckets are available and offerings vary by region. Consult your local Cat dealer for further details.

962 Wheel Loader Specifications

Operating Specifications – Buckets (continued)

Linkage		High Lift Linkage		
Bucket Type		General Purpose – Pin-On		
Edge Type		Bolt-On Cutting Edges	Teeth and Segments	Tips
Capacity – Rated	m ³	3.80	3.80	3.60
	yd ³	5.00	5.00	4.75
Capacity – Rated at 110% Fill Factor	m ³	4.20	4.20	4.00
	yd ³	5.50	5.50	5.25
Width	mm	2927	2994	2994
	ft/in	9'7"	9'9"	9'9"
16† Dump Clearance at Maximum Lift and 45° Discharge	mm	3249	3129	3129
	ft/in	10'7"	10'3"	10'3"
17† Reach at Maximum Lift and 45° Discharge	mm	1565	1674	1674
	ft/in	5'1"	5'5"	5'5"
Reach at Level Lift Arm and Bucket Level	mm	3223	3384	3384
	ft/in	10'6"	11'1"	11'1"
A† Digging Depth	mm	109	109	79
	in	4.3"	4.3"	3.1"
12† Overall Length	mm	9118	9289	9289
	ft/in	29'11"	30'6"	30'6"
B† Overall Height with Bucket at Maximum Lift	mm	6168	6168	6168
	ft/in	20'3"	20'3"	20'3"
Loader Clearance Circle Radius with Bucket at Carry Position	mm	6993	7085	7085
	ft/in	23'0"	23'3"	23'3"
Static Tipping Load, Straight (With tire deflection)	kg	12 843	12 704	12 968
	lb	28,315	28,009	28,589
Static Tipping Load, Straight (No tire deflection)	kg	13 500	13 360	13 628
	lb	29,764	29,455	30,046
Static Tipping Load, Articulated (With tire deflection)	kg	10 915	10 776	11 023
	lb	24,065	23,759	24,302
Static Tipping Load, Articulated (No tire deflection)	kg	11 595	11 455	11 705
	lb	25,562	25,254	25,806
Breakout Force (§)	kN	172	171	186
	lbf	38,848	38,596	41,857
Operating Weight*	kg	20 958	21 066	20 909
	lb	46,204	46,442	46,096

* Static tipping loads and operating weights shown are based on a machine configuration with Bridgestone 23.5R25 VJT L3 radial tires, full fluids, operator, high lift counterweight, ride control, cold start, roading fenders, Product Link, manual diff lock/open axles (front and rear), powertrain guard, secondary steering and sound suppression.

† Illustration shown with Dimension charts.

*** Rock bucket specifications are given on Bridgestone 23.5R25 VSDL L5 radial tires.

(§) Measured 100 mm (4") behind tip of cutting edge with bucket hinge pin as pivot point in accordance with ISO 14397-2:2007.

(With tire deflection) Full compliance to ISO 14397-1:2007 Sections 1 thru 6, which requires 2% verification between calculations and testing.

(No tire deflection) Compliance to ISO 14397-1:2007 Sections 1 thru 5.

Other buckets are available and offerings vary by region. Consult your local Cat dealer for further details.

962 Wheel Loader Specifications

Operating Specifications – Buckets (continued)

Linkage		High Lift Linkage					
Bucket Type		General Purpose – Hook-On – Fusion					
Edge Type		Bolt-On Cutting Edges	Teeth and Segments	Tips	Bolt-On Cutting Edges	Teeth and Segments	Tips
Capacity – Rated	m ³	3.60	3.60	3.40	3.80	3.80	3.60
	yd ³	4.75	4.75	4.50	5.00	5.00	4.75
Capacity – Rated at 110% Fill Factor	m ³	4.00	4.00	3.70	4.20	4.20	4.00
	yd ³	5.25	5.25	4.75	5.50	5.50	5.25
Width	mm	2927	2994	2994	2927	2994	2994
	ft/in	9'7"	9'9"	9'9"	9'7"	9'9"	9'9"
16† Dump Clearance at Maximum Lift and 45° Discharge	mm	3243	3124	3124	3209	3089	3089
	ft/in	10'7"	10'3"	10'3"	10'6"	10'1"	10'1"
17† Reach at Maximum Lift and 45° Discharge	mm	1581	1690	1690	1610	1718	1718
	ft/in	5'2"	5'6"	5'6"	5'3"	5'7"	5'7"
Reach at Level Lift Arm and Bucket Level	mm	3237	3398	3398	3283	3444	3444
	ft/in	10'7"	11'1"	11'1"	10'9"	11'3"	11'3"
A† Digging Depth	mm	109	109	79	109	109	79
	in	4.3"	4.3"	3.1"	4.3"	4.3"	3.1"
12† Overall Length	mm	9132	9303	9303	9178	9349	9349
	ft/in	30'0"	30'7"	30'7"	30'2"	30'9"	30'9"
B† Overall Height with Bucket at Maximum Lift	mm	6154	6154	6154	6202	6202	6202
	ft/in	20'3"	20'3"	20'3"	20'5"	20'5"	20'5"
Loader Clearance Circle Radius with Bucket at Carry Position	mm	6988	7080	7080	7003	7096	7096
	ft/in	23'0"	23'3"	23'3"	23'0"	23'4"	23'4"
Static Tipping Load, Straight (With tire deflection)	kg	12 397	12 260	12 570	12 311	12 173	12 482
	lb	27,332	27,028	27,713	27,143	26,837	27,520
Static Tipping Load, Straight (No tire deflection)	kg	13 045	12 906	13 226	12 961	12 821	13 140
	lb	28,760	28,454	29,158	28,575	28,267	28,969
Static Tipping Load, Articulated (With tire deflection)	kg	10 490	10 353	10 646	10 409	10 271	10 564
	lb	23,128	22,824	23,471	22,949	22,643	23,289
Static Tipping Load, Articulated (No tire deflection)	kg	11 160	11 021	11 324	11 081	10 941	11 243
	lb	24,605	24,298	24,965	24,430	24,122	24,787
Breakout Force (§)	kN	171	170	184	165	164	177
	lbf	38,474	38,222	41,425	37,191	36,939	39,956
Operating Weight*	kg	21 347	21 455	21 298	21 392	21 500	21 343
	lb	47,062	47,300	46,954	47,161	47,399	47,053

* Static tipping loads and operating weights shown are based on a machine configuration with Bridgestone 23.5R25 VJT L3 radial tires, full fluids, operator, high lift counterweight, ride control, cold start, roading fenders, Product Link, manual diff lock/open axles (front and rear), powertrain guard, secondary steering and sound suppression.

† Illustration shown with Dimension charts.

*** Rock bucket specifications are given on Bridgestone 23.5R25 VSDL L5 radial tires.

(§) Measured 100 mm (4") behind tip of cutting edge with bucket hinge pin as pivot point in accordance with ISO 14397-2:2007.

(With tire deflection) Full compliance to ISO 14397-1:2007 Sections 1 thru 6, which requires 2% verification between calculations and testing.

(No tire deflection) Compliance to ISO 14397-1:2007 Sections 1 thru 5.

Other buckets are available and offerings vary by region. Consult your local Cat dealer for further details.

962 Wheel Loader Specifications

Operating Specifications – Buckets (continued)

Linkage		High Lift Linkage								
Bucket Type		Flat Floor – Pin-On								
Edge Type		Bolt-On Cutting Edges	Teeth and Segments	Tips	Bolt-On Cutting Edges	Teeth and Segments	Tips	Bolt-On Cutting Edges	Teeth and Segments	Tips
Capacity – Rated	m ³	3.40	3.40	3.20	3.60	3.60	3.40	3.80	3.80	3.60
	yd ³	4.50	4.50	4.25	4.75	4.75	4.50	5.00	5.00	4.75
Capacity – Rated at 110% Fill Factor	m ³	3.70	3.70	3.50	4.00	4.00	3.70	4.20	4.20	4.00
	yd ³	4.75	4.75	4.50	5.25	5.25	4.75	5.50	5.50	5.25
Width	mm	2927	2994	2994	2927	2994	2994	2927	2994	2994
	ft/in	9'7"	9'9"	9'9"	9'7"	9'9"	9'9"	9'7"	9'9"	9'9"
16 † Dump Clearance at Maximum Lift and 45° Discharge	mm	3252	3126	3126	3220	3094	3094	3184	3058	3058
	ft/in	10'8"	10'3"	10'3"	10'6"	10'1"	10'1"	10'5"	10'0"	10'0"
17 † Reach at Maximum Lift and 45° Discharge	mm	1448	1550	1550	1479	1582	1582	1516	1618	1618
	ft/in	4'9"	5'1"	5'1"	4'10"	5'2"	5'2"	4'11"	5'3"	5'3"
Reach at Level Lift Arm and Bucket Level	mm	3152	3313	3313	3197	3358	3358	3248	3409	3409
	ft/in	10'4"	10'10"	10'10"	10'5"	11'0"	11'0"	10'7"	11'2"	11'2"
A † Digging Depth	mm	109	109	79	109	109	79	109	109	79
	in	4.3"	4.3"	3.1"	4.3"	4.3"	3.1"	4.3"	4.3"	3.1"
12 † Overall Length	mm	9047	9218	9218	9092	9263	9263	9143	9314	9314
	ft/in	29'9"	30'3"	30'3"	29'10"	30'5"	30'5"	30'0"	30'7"	30'7"
B † Overall Height with Bucket at Maximum Lift	mm	6056	6056	6056	6105	6105	6105	6152	6152	6152
	ft/in	19'11"	19'11"	19'11"	20'1"	20'1"	20'1"	20'3"	20'3"	20'3"
Loader Clearance Circle Radius with Bucket at Carry Position	mm	6969	7061	7061	6984	7076	7076	7001	7093	7093
	ft/in	22'11"	23'2"	23'2"	22'11"	23'3"	23'3"	23'0"	23'4"	23'4"
Static Tipping Load, Straight (With tire deflection)	kg	12 879	12 742	13 006	12 792	12 654	12 915	12 690	12 552	12 809
	lb	28,393	28,092	28,675	28,202	27,899	28,474	27,978	27,673	28,240
Static Tipping Load, Straight (No tire deflection)	kg	13 518	13 381	13 649	13 433	13 295	13 559	13 333	13 194	13 455
	lb	29,803	29,500	30,091	29,615	29,310	29,893	29,395	29,089	29,664
Static Tipping Load, Articulated (With tire deflection)	kg	10 962	10 825	11 073	10 879	10 742	10 987	10 783	10 645	10 887
	lb	24,167	23,866	24,412	23,986	23,683	24,223	23,773	23,469	24,001
Static Tipping Load, Articulated (No tire deflection)	kg	11 623	11 486	11 737	11 543	11 404	11 653	11 448	11 309	11 554
	lb	25,625	25,322	25,876	25,448	25,143	25,690	25,240	24,933	25,473
Breakout Force (§)	kN	182	181	197	176	175	190	169	168	182
	lbf	41,030	40,777	44,375	39,622	39,369	42,748	38,123	37,871	41,025
Operating Weight*	kg	20 869	20 977	20 820	20 913	21 021	20 864	20 967	21 075	20 918
	lb	46,007	46,245	45,899	46,104	46,342	45,996	46,223	46,461	46,115

* Static tipping loads and operating weights shown are based on a machine configuration with Bridgestone 23.5R25 VJT L3 radial tires, full fluids, operator, high lift counterweight, ride control, cold start, roading fenders, Product Link, manual diff lock/open axles (front and rear), powertrain guard, secondary steering and sound suppression.

† Illustration shown with Dimension charts.

*** Rock bucket specifications are given on Bridgestone 23.5R25 VSDL L5 radial tires.

(§) Measured 100 mm (4") behind tip of cutting edge with bucket hinge pin as pivot point in accordance with ISO 14397-2:2007.

(With tire deflection) Full compliance to ISO 14397-1:2007 Sections 1 thru 6, which requires 2% verification between calculations and testing.

(No tire deflection) Compliance to ISO 14397-1:2007 Sections 1 thru 5.

Other buckets are available and offerings vary by region. Consult your local Cat dealer for further details.

962 Wheel Loader Specifications

Operating Specifications – Buckets (continued)

Linkage		High Lift Linkage				
Bucket Type		Flat Floor – Pin-On – BGE – FMT			Flat Floor – Pin-On – Light Material	
		Tips	Tips	Tips	Bolt-On Cutting Edges	Bolt-On Cutting Edges
Edge Type						
Capacity – Rated	m ³	3.40	3.60	3.80	4.60	4.60
	yd ³	4.50	4.75	5.00	6.00	6.00
Capacity – Rated at 110% Fill Factor	m ³	3.70	4.00	4.20	5.00	5.00
	yd ³	4.75	5.25	5.50	6.50	6.50
Width	mm	2994	2995	2995	3059	3338
	ft/in	9'9"	9'9"	9'9"	10'0"	10'11"
16 † Dump Clearance at Maximum Lift and 45° Discharge	mm	3144	3076	3045	3119	3124
	ft/in	10'3"	10'1"	9'11"	10'2"	10'3"
17 † Reach at Maximum Lift and 45° Discharge	mm	1586	1653	1684	1573	1589
	ft/in	5'2"	5'5"	5'6"	5'1"	5'2"
Reach at Level Lift Arm and Bucket Level	mm	3326	3421	3465	3334	3342
	ft/in	10'10"	11'2"	11'4"	10'11"	10'11"
A † Digging Depth	mm	82	82	82	79	99
	in	3.2"	3.2"	3.2"	3.1"	3.9"
12 † Overall Length	mm	9208	9303	9347	9232	9231
	ft/in	30'3"	30'7"	30'8"	30'4"	30'4"
B † Overall Height with Bucket at Maximum Lift	mm	6122	6152	6196	6288	6004
	ft/in	20'2"	20'3"	20'4"	20'8"	19'9"
Loader Clearance Circle Radius with Bucket at Carry Position	mm	7044	7076	7091	7089	7205
	ft/in	23'2"	23'3"	23'4"	23'4"	23'8"
Static Tipping Load, Straight (With tire deflection)	kg	12 766	12 561	12 457	12 385	12 500
	lb	28,145	27,692	27,465	27,304	27,558
Static Tipping Load, Straight (No tire deflection)	kg	13 409	13 203	13 101	13 035	13 127
	lb	29,563	29,108	28,883	28,737	28,941
Static Tipping Load, Articulated (With tire deflection)	kg	10 840	10 647	10 548	10 485	10 618
	lb	23,898	23,473	23,256	23,116	23,409
Static Tipping Load, Articulated (No tire deflection)	kg	11 505	11 311	11 214	11 158	11 268
	lb	25,365	24,937	24,723	24,599	24,843
Breakout Force (§)	kN	193	179	173	168	159
	lbf	43,526	40,306	38,937	37,902	35,776
Operating Weight*	kg	21 043	21 140	21 200	21 196	20 993
	lb	46,390	46,604	46,736	46,728	46,280

* Static tipping loads and operating weights shown are based on a machine configuration with Bridgestone 23.5R25 VJT L3 radial tires, full fluids, operator, high lift counterweight, ride control, cold start, roading fenders, Product Link, manual diff lock/open axles (front and rear), powertrain guard, secondary steering and sound suppression.

† Illustration shown with Dimension charts.

*** Rock bucket specifications are given on Bridgestone 23.5R25 VSDL L5 radial tires.

(§) Measured 100 mm (4") behind tip of cutting edge with bucket hinge pin as pivot point in accordance with ISO 14397-2:2007.

(With tire deflection) Full compliance to ISO 14397-1:2007 Sections 1 thru 6, which requires 2% verification between calculations and testing.

(No tire deflection) Compliance to ISO 14397-1:2007 Sections 1 thru 5.

Other buckets are available and offerings vary by region. Consult your local Cat dealer for further details.

962 Wheel Loader Specifications

Operating Specifications – Buckets (continued)

Linkage		High Lift Linkage			
Bucket Type	Flat Floor – Hook-On – Fusion			Flat Floor – Hook-On – Fusion – BGE – FMT	
Edge Type		Bolt-On Cutting Edges	Teeth and Segments	Tips	Tips
Capacity – Rated	m ³	3.60	3.60	3.40	3.40
	yd ³	4.75	4.75	4.50	4.50
Capacity – Rated at 110% Fill Factor	m ³	4.00	4.00	3.70	3.70
	yd ³	5.25	5.25	4.75	4.75
Width	mm	2927	2994	2994	2995
	ft/in	9'7"	9'9"	9'9"	9'9"
16 † Dump Clearance at Maximum Lift and 45° Discharge	mm	3177	3052	3052	2961
	ft/in	10'5"	10'0"	10'0"	9'8"
17 † Reach at Maximum Lift and 45° Discharge	mm	1522	1624	1624	1655
	ft/in	4'11"	5'3"	5'3"	5'5"
Reach at Level Lift Arm and Bucket Level	mm	3257	3418	3418	3504
	ft/in	10'8"	11'2"	11'2"	11'5"
A † Digging Depth	mm	109	109	79	82
	in	4.3"	4.3"	3.1"	3.2"
12 † Overall Length	mm	9152	9323	9323	9435
	ft/in	30'1"	30'8"	30'8"	31'0"
B † Overall Height with Bucket at Maximum Lift	mm	6134	6134	6134	6134
	ft/in	20'2"	20'2"	20'2"	20'2"
Loader Clearance Circle Radius with Bucket at Carry Position	mm	6994	7087	7087	7141
	ft/in	23'0"	23'3"	23'3"	23'6"
Static Tipping Load, Straight (With tire deflection)	kg	12 255	12 118	12 420	12 005
	lb	27,018	26,716	27,383	26,466
Static Tipping Load, Straight (No tire deflection)	kg	12 889	12 751	13 061	12 635
	lb	28,415	28,111	28,795	27,857
Static Tipping Load, Articulated (With tire deflection)	kg	10 368	10 231	10 517	10 115
	lb	22,857	22,555	23,187	22,301
Static Tipping Load, Articulated (No tire deflection)	kg	11 024	10 886	11 180	10 769
	lb	24,304	24,000	24,649	23,741
Breakout Force (§)	kN	168	167	181	176
	lbf	37,903	37,651	40,771	39,558
Operating Weight*	kg	21 355	21 463	21 306	21 612
	lb	47,080	47,318	46,972	47,646

* Static tipping loads and operating weights shown are based on a machine configuration with Bridgestone 23.5R25 VJT L3 radial tires, full fluids, operator, high lift counterweight, ride control, cold start, roading fenders, Product Link, manual diff lock/open axles (front and rear), powertrain guard, secondary steering and sound suppression.

† Illustration shown with Dimension charts.

*** Rock bucket specifications are given on Bridgestone 23.5R25 VSDL L5 radial tires.

(§) Measured 100 mm (4") behind tip of cutting edge with bucket hinge pin as pivot point in accordance with ISO 14397-2:2007.

(With tire deflection) Full compliance to ISO 14397-1:2007 Sections 1 thru 6, which requires 2% verification between calculations and testing.

(No tire deflection) Compliance to ISO 14397-1:2007 Sections 1 thru 5.

Other buckets are available and offerings vary by region. Consult your local Cat dealer for further details.

962 Wheel Loader Specifications

Operating Specifications – Buckets (continued)

Linkage		High Lift Linkage			
Bucket Type		High Dump – Pin-On			High Dump – Pin-On – Abrasion
		Bolt-On Cutting Edges	Bolt-On Cutting Edges	Bolt-On Cutting Edges	Bolt-On Cutting Edges
Capacity – Rated	m ³	5.10	7.60	9.20	8.20
	yd ³	6.75	10.00	12.00	10.75
Capacity – Rated at 110% Fill Factor	m ³	5.60	8.40	10.10	9.00
	yd ³	7.25	11.00	13.25	11.75
Width	mm	3029	3350	3350	3205
	ft/in	9'11"	10'11"	10'11"	10'6"
16† Dump Clearance at Maximum Lift and 45° Discharge	mm	2953	2756	2614	2753
	ft/in	9'8"	9'0"	8'6"	9'0"
17† Reach at Maximum Lift and 45° Discharge	mm	1757	1943	2085	1946
	ft/in	5'9"	6'4"	6'10"	6'4"
Reach at Level Lift Arm and Bucket Level	mm	3582	3853	4053	3857
	ft/in	11'9"	12'7"	13'3"	12'7"
A† Digging Depth	mm	102	79	79	109
	in	4"	3.1"	3.1"	4.3"
12† Overall Length	mm	9472	9748	9948	9752
	ft/in	31'1"	32'0"	32'8"	32'0"
B† Overall Height with Bucket at Maximum Lift	mm	6568	6551	6752	6980
	ft/in	21'7"	21'6"	22'2"	22'11"
Loader Clearance Circle Radius with Bucket at Carry Position	mm	7153	7389	7460	7329
	ft/in	23'6"	24'3"	24'6"	24'1"
Static Tipping Load, Straight (With tire deflection)	kg	11 468	10 915	10 592	10 118
	lb	25,282	24,065	23,352	22,307
Static Tipping Load, Straight (No tire deflection)	kg	12 108	11 582	11 263	10 765
	lb	26,695	25,535	24,831	23,734
Static Tipping Load, Articulated (With tire deflection)	kg	9633	9076	8771	8306
	lb	21,237	20,010	19,338	18,312
Static Tipping Load, Articulated (No tire deflection)	kg	10 296	9766	9465	8976
	lb	22,700	21,531	20,867	19,790
Breakout Force (§)	kN	133	118	105	109
	lbf	29,989	26,543	23,703	24,553
Operating Weight*	kg	21 621	22 182	22 355	22 775
	lb	47,664	48,901	49,283	50,209

* Static tipping loads and operating weights shown are based on a machine configuration with Bridgestone 23.5R25 VJT L3 radial tires, full fluids, operator, high lift counterweight, ride control, cold start, roading fenders, Product Link, manual diff lock/open axles (front and rear), powertrain guard, secondary steering and sound suppression.

† Illustration shown with Dimension charts.

*** Rock bucket specifications are given on Bridgestone 23.5R25 VSDL L5 radial tires.

(§) Measured 100 mm (4") behind tip of cutting edge with bucket hinge pin as pivot point in accordance with ISO 14397-2:2007.

(With tire deflection) Full compliance to ISO 14397-1:2007 Sections 1 thru 6, which requires 2% verification between calculations and testing.

(No tire deflection) Compliance to ISO 14397-1:2007 Sections 1 thru 5.

Other buckets are available and offerings vary by region. Consult your local Cat dealer for further details.

962 Wheel Loader Specifications

Operating Specifications – Buckets *(continued)*

Linkage		High Lift Linkage		
Bucket Type		High Dump – Hook-On – Fusion		
Edge Type		Bolt-On Cutting Edges	Bolt-On Cutting Edges	Bolt-On Cutting Edges
Capacity – Rated	m ³	6.10	7.60	9.20
	yd ³	8.00	10.00	12.00
Capacity – Rated at 110% Fill Factor	m ³	6.70	8.40	10.10
	yd ³	8.75	11.00	13.25
Width	mm	3037	3350	3350
	ft/in	9'11"	10'11"	10'11"
16† Dump Clearance at Maximum Lift and 45° Discharge	mm	2781	2710	2569
	ft/in	9'1"	8'10"	8'5"
17† Reach at Maximum Lift and 45° Discharge	mm	1918	1989	2131
	ft/in	6'3"	6'6"	6'11"
Reach at Level Lift Arm and Bucket Level	mm	3817	3918	4118
	ft/in	12'6"	12'10"	13'6"
A† Digging Depth	mm	109	79	79
	in	4.3"	3.1"	3.1"
12† Overall Length	mm	9712	9813	10 013
	ft/in	31'11"	32'3"	32'11"
B† Overall Height with Bucket at Maximum Lift	mm	6526	6591	6792
	ft/in	21'5"	21'8"	22'4"
Loader Clearance Circle Radius with Bucket at Carry Position	mm	7234	7402	7473
	ft/in	23'9"	24'4"	24'7"
Static Tipping Load, Straight (With tire deflection)	kg	10 221	10 281	9966
	lb	22,535	22,666	21,973
Static Tipping Load, Straight (No tire deflection)	kg	10 834	10 935	10 624
	lb	23,886	24,109	23,423
Static Tipping Load, Articulated (With tire deflection)	kg	8460	8467	8170
	lb	18,651	18,667	18,013
Static Tipping Load, Articulated (No tire deflection)	kg	9097	9144	8851
	lb	20,056	20,160	19,514
Breakout Force (§)	kN	114	113	101
	lbf	25,806	25,452	22,780
Operating Weight*	kg	22 530	22 749	22 921
	lb	49,668	50,151	50,530

* Static tipping loads and operating weights shown are based on a machine configuration with Bridgestone 23.5R25 VJT L3 radial tires, full fluids, operator, high lift counterweight, ride control, cold start, roading fenders, Product Link, manual diff lock/open axles (front and rear), powertrain guard, secondary steering and sound suppression.

† Illustration shown with Dimension charts.

*** Rock bucket specifications are given on Bridgestone 23.5R25 VSDL L5 radial tires.

(§) Measured 100 mm (4") behind tip of cutting edge with bucket hinge pin as pivot point in accordance with ISO 14397-2:2007.

(With tire deflection) Full compliance to ISO 14397-1:2007 Sections 1 thru 6, which requires 2% verification between calculations and testing.

(No tire deflection) Compliance to ISO 14397-1:2007 Sections 1 thru 5.

Other buckets are available and offerings vary by region. Consult your local Cat dealer for further details.

962 Wheel Loader Specifications

Operating Specifications – Buckets (continued)

Linkage		High Lift Linkage			
Bucket Type		Woodchip – Pin-On		Woodchip – Hook-On – Fusion	
Edge Type		Bolt-On Cutting Edges	Bolt-On Cutting Edges	Bolt-On Cutting Edges	Bolt-On Cutting Edges
Capacity – Rated	m ³	9.20	9.90	9.20	9.90
	yd ³	12.00	13.00	12.00	13.00
Capacity – Rated at 110% Fill Factor	m ³	10.10	10.90	10.10	10.90
	yd ³	13.25	14.25	13.25	14.25
Width	mm	3330	3330	3330	3330
	ft/in	10'11"	10'11"	10'11"	10'11"
16† Dump Clearance at Maximum Lift and 45° Discharge	mm	2739	2664	2646	2641
	ft/in	8'11"	8'8"	8'8"	8'8"
17† Reach at Maximum Lift and 45° Discharge	mm	1967	2042	2061	2065
	ft/in	6'5"	6'8"	6'9"	6'9"
Reach at Level Lift Arm and Bucket Level	mm	3882	3988	4014	4020
	ft/in	12'8"	13'1"	13'2"	13'2"
A† Digging Depth	mm	104	104	104	104
	in	4.1"	4.1"	4.1"	4.1"
12† Overall Length	mm	9774	9880	9906	9912
	ft/in	32'1"	32'5"	32'6"	32'7"
B† Overall Height with Bucket at Maximum Lift	mm	6743	6835	6800	6852
	ft/in	22'2"	22'6"	22'4"	22'6"
Loader Clearance Circle Radius with Bucket at Carry Position	mm	7388	7425	7424	7426
	ft/in	24'3"	24'5"	24'5"	24'5"
Static Tipping Load, Straight (With tire deflection)	kg	11 664	11 583	10 472	10 518
	lb	25,715	25,536	23,087	23,188
Static Tipping Load, Straight (No tire deflection)	kg	12 351	12 277	11 086	11 138
	lb	27,231	27,068	24,441	24,556
Static Tipping Load, Articulated (With tire deflection)	kg	9815	9728	8734	8774
	lb	21,639	21,447	19,255	19,345
Static Tipping Load, Articulated (No tire deflection)	kg	10 525	10 445	9372	9419
	lb	23,204	23,028	20,661	20,766
Breakout Force (§)	kN	113	106	105	105
	lbf	25,448	24,010	23,751	23,611
Operating Weight*	kg	21 455	21 547	22 089	22 050
	lb	47,299	47,501	48,698	48,612

* Static tipping loads and operating weights shown are based on a machine configuration with Bridgestone 23.5R25 VJT L3 radial tires, full fluids, operator, high lift counterweight, ride control, cold start, roading fenders, Product Link, manual diff lock/open axles (front and rear), powertrain guard, secondary steering and sound suppression.

† Illustration shown with Dimension charts.

*** Rock bucket specifications are given on Bridgestone 23.5R25 VSDL L5 radial tires.

(§) Measured 100 mm (4") behind tip of cutting edge with bucket hinge pin as pivot point in accordance with ISO 14397-2:2007.

(With tire deflection) Full compliance to ISO 14397-1:2007 Sections 1 thru 6, which requires 2% verification between calculations and testing.

(No tire deflection) Compliance to ISO 14397-1:2007 Sections 1 thru 5.

Other buckets are available and offerings vary by region. Consult your local Cat dealer for further details.

962 Wheel Loader Specifications

Operating Specifications – Buckets (continued)

Linkage			Aggregate Handler								
Bucket Type			General Purpose – Pin-On								
Edge Type			Bolt-On Cutting Edges	Teeth and Segments	Tips	Bolt-On Cutting Edges	Teeth and Segments	Tips	Bolt-On Cutting Edges	Teeth and Segments	Tips
Capacity – Rated	m ³		3.30	3.30	3.10	3.60	3.60	3.40	3.80	3.80	3.60
	yd ³		4.25	4.25	4.00	4.75	4.75	4.50	5.00	5.00	4.75
Capacity – Rated at 110% Fill Factor	m ³		3.60	3.60	3.40	4.00	4.00	3.70	4.20	4.20	4.00
	yd ³		4.75	4.75	4.50	5.25	5.25	4.75	5.50	5.50	5.25
Width	mm		2927	2994	2994	2927	2994	2994	2927	2994	2994
	ft/in		9'7"	9'9"	9'9"	9'7"	9'9"	9'9"	9'7"	9'9"	9'9"
16 † Dump Clearance at Maximum Lift and 45° Discharge	mm		3039	2921	2921	2995	2875	2875	2960	2840	2840
	ft/in		9'11"	9'7"	9'7"	9'9"	9'5"	9'5"	9'8"	9'3"	9'3"
17 † Reach at Maximum Lift and 45° Discharge	mm		1398	1508	1508	1434	1543	1543	1463	1572	1572
	ft/in		4'7"	4'11"	4'11"	4'8"	5'0"	5'0"	4'9"	5'1"	5'1"
Reach at Level Lift Arm and Bucket Level	mm		2841	3002	3002	2900	3061	3061	2946	3107	3107
	ft/in		9'3"	9'10"	9'10"	9'6"	10'0"	10'0"	9'7"	10'2"	10'2"
A † Digging Depth	mm		103	103	73	103	103	73	103	103	73
	in		4"	4"	2.9"	4"	4"	2.9"	4"	4"	2.9"
12 † Overall Length	mm		8681	8854	8854	8740	8913	8913	8786	8959	8959
	ft/in		28'6"	29'1"	29'1"	28'9"	29'3"	29'3"	28'10"	29'5"	29'5"
B † Overall Height with Bucket at Maximum Lift	mm		5773	5773	5773	5832	5832	5832	5879	5879	5879
	ft/in		19'0"	19'0"	19'0"	19'2"	19'2"	19'2"	19'4"	19'4"	19'4"
Loader Clearance Circle Radius with Bucket at Carry Position	mm		6800	6886	6886	6818	6905	6905	6832	6919	6919
	ft/in		22'4"	22'8"	22'8"	22'5"	22'8"	22'8"	22'5"	22'9"	22'9"
Static Tipping Load, Straight (With tire deflection)	kg		14 802	14 662	14 965	14 676	14 535	14 832	14 567	14 425	14 717
	lb		32,633	32,324	32,993	32,357	32,045	32,699	32,116	31,802	32,446
Static Tipping Load, Straight (No tire deflection)	kg		15 621	15 479	15 791	15 498	15 355	15 660	15 391	15 247	15 547
	lb		34,439	34,126	34,813	34,168	33,853	34,524	33,932	33,615	34,275
Static Tipping Load, Articulated (With tire deflection)	kg		12 653	12 513	12 795	12 535	12 393	12 669	12 432	12 289	12 561
	lb		27,897	27,587	28,209	27,635	27,323	27,931	27,408	27,094	27,692
Static Tipping Load, Articulated (No tire deflection)	kg		13 490	13 348	13 638	13 375	13 232	13 514	13 273	13 130	13 408
	lb		29,741	29,429	30,067	29,486	29,171	29,795	29,263	28,947	29,560
Breakout Force (§)	kN		189	188	205	180	179	195	174	173	187
	lbf		42,503	42,264	46,073	40,566	40,327	43,827	39,159	38,920	42,206
Operating Weight*	kg		20 748	20 856	20 699	20 809	20 917	20 760	20 863	20 971	20 814
	lb		45,742	45,980	45,634	45,875	46,113	45,767	45,995	46,234	45,887

* Static tipping loads and operating weights shown are based on a machine configuration with Bridgestone 23.5R25 VJT L3 radial tires, full fluids, operator, aggregate counterweight, ride control, cold start, roading fenders, Product Link, manual diff lock/open axles (front and rear), powertrain guard, secondary steering and sound suppression.

† Illustration shown with Dimension charts.

*** Rock bucket specifications are given on Bridgestone 23.5R25 VSDL L5 radial tires.

(§) Measured 100 mm (4") behind tip of cutting edge with bucket hinge pin as pivot point in accordance with ISO 14397-2:2007.

(With tire deflection) Full compliance to ISO 14397-1:2007 Sections 1 thru 6, which requires 2% verification between calculations and testing.

(No tire deflection) Compliance to ISO 14397-1:2007 Sections 1 thru 5.

Other buckets are available and offerings vary by region. Consult your local Cat dealer for further details.

Operating Specifications – Buckets (continued)

Linkage		Aggregate Handler	
Bucket Type		General Purpose – Pin-On – Abrasion	
Edge Type		Bolt-On Cutting Edges	Bolt-On Cutting Edges
Capacity – Rated	m ³	4.00	4.20
	yd ³	5.25	5.50
Capacity – Rated at 110% Fill Factor	m ³	4.40	4.60
	yd ³	5.75	6.00
Width	mm	2994	2994
	ft/in	9'9"	9'9"
16† Dump Clearance at Maximum Lift and 45° Discharge	mm	2947	2914
	ft/in	9'8"	9'6"
17† Reach at Maximum Lift and 45° Discharge	mm	1472	1502
	ft/in	4'9"	4'11"
Reach at Level Lift Arm and Bucket Level	mm	2962	3007
	ft/in	9'8"	9'10"
A† Digging Depth	mm	103	103
	in	4"	4"
12† Overall Length	mm	8802	8847
	ft/in	28'11"	29'1"
B† Overall Height with Bucket at Maximum Lift	mm	5922	5969
	ft/in	19'6"	19'7"
Loader Clearance Circle Radius with Bucket at Carry Position	mm	6867	6881
	ft/in	22'7"	22'7"
Static Tipping Load, Straight (With tire deflection)	kg	14 430	14 332
	lb	31,813	31,596
Static Tipping Load, Straight (No tire deflection)	kg	15 256	15 160
	lb	33,635	33,423
Static Tipping Load, Articulated (With tire deflection)	kg	12 293	12 201
	lb	27,103	26,899
Static Tipping Load, Articulated (No tire deflection)	kg	13 138	13 047
	lb	28,965	28,765
Breakout Force (§)	kN	171	165
	lbf	38,515	37,251
Operating Weight*	kg	20 991	21 037
	lb	46,277	46,378

* Static tipping loads and operating weights shown are based on a machine configuration with Bridgestone 23.5R25 VJT L3 radial tires, full fluids, operator, aggregate counterweight, ride control, cold start, roading fenders, Product Link, manual diff lock/open axles (front and rear), powertrain guard, secondary steering and sound suppression.

† Illustration shown with Dimension charts.

*** Rock bucket specifications are given on Bridgestone 23.5R25 VSDL L5 radial tires.

(§) Measured 100 mm (4") behind tip of cutting edge with bucket hinge pin as pivot point in accordance with ISO 14397-2:2007.

(With tire deflection) Full compliance to ISO 14397-1:2007 Sections 1 thru 6, which requires 2% verification between calculations and testing.

(No tire deflection) Compliance to ISO 14397-1:2007 Sections 1 thru 5.

Other buckets are available and offerings vary by region. Consult your local Cat dealer for further details.

962 Wheel Loader Specifications

Operating Specifications – Buckets (continued)

Linkage		Aggregate Handler					
Bucket Type		General Purpose – Hook-On – Fusion					
Edge Type		Bolt-On Cutting Edges	Teeth and Segments	Tips	Bolt-On Cutting Edges	Teeth and Segments	Tips
Capacity – Rated	m ³	3.60	3.60	3.40	3.80	3.80	3.60
	yd ³	4.75	4.75	4.50	5.00	5.00	4.75
Capacity – Rated at 110% Fill Factor	m ³	4.00	4.00	3.70	4.20	4.20	4.00
	yd ³	5.25	5.25	4.75	5.50	5.50	5.25
Width	mm	2927	2994	2994	2927	2994	2994
	ft/in	9'7"	9'9"	9'9"	9'7"	9'9"	9'9"
16† Dump Clearance at Maximum Lift and 45° Discharge	mm	2955	2835	2835	2920	2800	2800
	ft/in	9'8"	9'3"	9'3"	9'6"	9'2"	9'2"
17† Reach at Maximum Lift and 45° Discharge	mm	1479	1588	1588	1508	1617	1617
	ft/in	4'10"	5'2"	5'2"	4'11"	5'3"	5'3"
Reach at Level Lift Arm and Bucket Level	mm	2960	3121	3121	3006	3167	3167
	ft/in	9'8"	10'2"	10'2"	9'10"	10'4"	10'4"
A† Digging Depth	mm	103	103	73	103	103	73
	in	4"	4"	2.9"	4"	4"	2.9"
12† Overall Length	mm	8800	8973	8973	8846	9019	9019
	ft/in	28'11"	29'6"	29'6"	29'1"	29'8"	29'8"
B† Overall Height with Bucket at Maximum Lift	mm	5866	5866	5866	5913	5913	5913
	ft/in	19'3"	19'3"	19'3"	19'5"	19'5"	19'5"
Loader Clearance Circle Radius with Bucket at Carry Position	mm	6833	6921	6921	6848	6936	6936
	ft/in	22'6"	22'9"	22'9"	22'6"	22'10"	22'10"
Static Tipping Load, Straight (With tire deflection)	kg	14 095	13 954	14 297	13 999	13 858	14 200
	lb	31,075	30,764	31,521	30,864	30,552	31,305
Static Tipping Load, Straight (No tire deflection)	kg	14 905	14 763	15 119	14 811	14 668	15 023
	lb	32,861	32,547	33,332	32,654	32,338	33,121
Static Tipping Load, Articulated (With tire deflection)	kg	11 985	11 844	12 167	11 895	11 753	12 075
	lb	26,423	26,112	26,823	26,224	25,912	26,621
Static Tipping Load, Articulated (No tire deflection)	kg	12 813	12 671	13 006	12 726	12 582	12 917
	lb	28,249	27,936	28,674	28,056	27,740	28,477
Breakout Force (§)	kN	172	171	185	166	165	179
	lbf	38,782	38,543	41,770	37,489	37,251	40,290
Operating Weight*	kg	21 253	21 361	21 204	21 298	21 406	21 249
	lb	46,854	47,092	46,745	46,953	47,191	46,845

* Static tipping loads and operating weights shown are based on a machine configuration with Bridgestone 23.5R25 VJT L3 radial tires, full fluids, operator, aggregate counterweight, ride control, cold start, roading fenders, Product Link, manual diff lock/open axles (front and rear), powertrain guard, secondary steering and sound suppression.

† Illustration shown with Dimension charts.

*** Rock bucket specifications are given on Bridgestone 23.5R25 VSDL L5 radial tires.

(§) Measured 100 mm (4") behind tip of cutting edge with bucket hinge pin as pivot point in accordance with ISO 14397-2:2007.

(With tire deflection) Full compliance to ISO 14397-1:2007 Sections 1 thru 6, which requires 2% verification between calculations and testing.

(No tire deflection) Compliance to ISO 14397-1:2007 Sections 1 thru 5.

Other buckets are available and offerings vary by region. Consult your local Cat dealer for further details.

962 Wheel Loader Specifications

Operating Specifications – Buckets (continued)

Linkage		Aggregate Handler						
Bucket Type		Flat Floor – Pin-On						
Edge Type		Bolt-On Cutting Edges	Teeth and Segments	Tips	Bolt-On Cutting Edges	Teeth and Segments	Tips	Bolt-On Cutting Edges
Capacity – Rated	m ³	3.60	3.60	3.40	3.80	3.80	3.60	4.00
	yd ³	4.75	4.75	4.50	5.00	5.00	4.75	5.25
Capacity – Rated at 110% Fill Factor	m ³	4.00	4.00	3.70	4.20	4.20	4.00	4.40
	yd ³	5.25	5.25	4.75	5.50	5.50	5.25	5.75
Width	mm	2927	2994	2994	2927	2994	2994	2927
	ft/in	9'7"	9'9"	9'9"	9'7"	9'9"	9'9"	9'7"
16 † Dump Clearance at Maximum Lift and 45° Discharge	mm	2931	2806	2806	2895	2770	2770	2881
	ft/in	9'7"	9'2"	9'2"	9'5"	9'1"	9'1"	9'5"
17 † Reach at Maximum Lift and 45° Discharge	mm	1378	1480	1480	1414	1516	1516	1428
	ft/in	4'6"	4'10"	4'10"	4'7"	4'11"	4'11"	4'8"
Reach at Level Lift Arm and Bucket Level	mm	2920	3081	3081	2971	3132	3132	2991
	ft/in	9'6"	10'1"	10'1"	9'8"	10'3"	10'3"	9'9"
A † Digging Depth	mm	103	103	73	103	103	73	103
	in	4"	4"	2.9"	4"	4"	2.9"	4"
12 † Overall Length	mm	8760	8933	8933	8811	8984	8984	8831
	ft/in	28'9"	29'4"	29'4"	28'11"	29'6"	29'6"	29'0"
B † Overall Height with Bucket at Maximum Lift	mm	5816	5816	5816	5864	5864	5864	5925
	ft/in	19'1"	19'1"	19'1"	19'3"	19'3"	19'3"	19'6"
Loader Clearance Circle Radius with Bucket at Carry Position	mm	6824	6911	6911	6840	6927	6927	6846
	ft/in	22'5"	22'9"	22'9"	22'6"	22'9"	22'9"	22'6"
Static Tipping Load, Straight (With tire deflection)	kg	14 492	14 352	14 640	14 380	14 239	14 523	14 241
	lb	31,951	31,641	32,276	31,702	31,391	32,017	31,396
Static Tipping Load, Straight (No tire deflection)	kg	15 294	15 152	15 447	15 183	15 041	15 331	15 040
	lb	33,718	33,405	34,055	33,474	33,159	33,800	33,159
Static Tipping Load, Articulated (With tire deflection)	kg	12 375	12 235	12 504	12 269	12 128	12 393	12 141
	lb	27,284	26,974	27,566	27,050	26,738	27,322	26,767
Static Tipping Load, Articulated (No tire deflection)	kg	13 196	13 054	13 328	13 092	12 949	13 219	12 959
	lb	29,092	28,779	29,384	28,862	28,548	29,144	28,571
Breakout Force (§)	kN	177	176	191	170	169	184	168
	lbf	39,939	39,700	43,104	38,428	38,189	41,367	37,810
Operating Weight*	kg	20 818	20 926	20 769	20 872	20 980	20 823	20 930
	lb	45,895	46,133	45,787	46,014	46,253	45,906	46,142

* Static tipping loads and operating weights shown are based on a machine configuration with Bridgestone 23.5R25 VJT L3 radial tires, full fluids, operator, aggregate counterweight, ride control, cold start, roading fenders, Product Link, manual diff lock/open axles (front and rear), powertrain guard, secondary steering and sound suppression.

† Illustration shown with Dimension charts.

*** Rock bucket specifications are given on Bridgestone 23.5R25 VSDL L5 radial tires.

(§) Measured 100 mm (4") behind tip of cutting edge with bucket hinge pin as pivot point in accordance with ISO 14397-2:2007.

(With tire deflection) Full compliance to ISO 14397-1:2007 Sections 1 thru 6, which requires 2% verification between calculations and testing.

(No tire deflection) Compliance to ISO 14397-1:2007 Sections 1 thru 5.

Other buckets are available and offerings vary by region. Consult your local Cat dealer for further details.

962 Wheel Loader Specifications

Operating Specifications – Buckets (continued)

Linkage		Aggregate Handler					
Bucket Type		Flat Floor – Pin-On – BGE – FMT				Flat Floor – Pin-On – Light Material	
		Tips	Tips	Tips	Tips	Bolt-On Cutting Edges	Bolt-On Cutting Edges
Capacity – Rated	m ³	3.40	3.60	3.80	4.00	4.60	4.60
	yd ³	4.50	4.75	5.00	5.25	6.00	6.00
Capacity – Rated at 110% Fill Factor	m ³	3.70	4.00	4.20	4.40	5.00	5.00
	yd ³	4.75	5.25	5.50	5.75	6.50	6.50
Width	mm	2994	2995	2995	2995	3059	3338
	ft/in	9'9"	9'9"	9'9"	9'9"	10'0"	10'11"
16† Dump Clearance at Maximum Lift and 45° Discharge	mm	2855	2788	2757	2721	2831	2836
	ft/in	9'4"	9'1"	9'0"	8'11"	9'3"	9'3"
17† Reach at Maximum Lift and 45° Discharge	mm	1484	1552	1583	1618	1471	1487
	ft/in	4'10"	5'1"	5'2"	5'3"	4'9"	4'10"
Reach at Level Lift Arm and Bucket Level	mm	3049	3144	3188	3238	3057	3065
	ft/in	10'0"	10'3"	10'5"	10'7"	10'0"	10'0"
A† Digging Depth	mm	76	76	76	76	73	93
	in	3"	3"	3"	3"	2.9"	3.7"
12† Overall Length	mm	8874	8969	9013	9063	8901	8898
	ft/in	29'2"	29'6"	29'7"	29'9"	29'3"	29'3"
B† Overall Height with Bucket at Maximum Lift	mm	5834	5864	5907	5956	6000	5715
	ft/in	19'2"	19'3"	19'5"	19'7"	19'9"	18'9"
Loader Clearance Circle Radius with Bucket at Carry Position	mm	6886	6916	6930	6947	6927	7048
	ft/in	22'8"	22'9"	22'9"	22'10"	22'9"	23'2"
Static Tipping Load, Straight (With tire deflection)	kg	14 492	14 262	14 149	14 025	14 057	14 148
	lb	31,962	31,443	31,193	30,920	30,990	31,192
Static Tipping Load, Straight (No tire deflection)	kg	15 297	15 065	14 953	14 831	14 869	14 930
	lb	33,726	33,214	32,966	32,697	32,780	32,915
Static Tipping Load, Articulated (With tire deflection)	kg	12 358	12 143	12 036	11 919	11 955	12 069
	lb	27,245	26,772	26,535	26,277	26,358	26,608
Static Tipping Load, Articulated (No tire deflection)	kg	13 182	12 965	12 859	12 743	12 786	12 870
	lb	29,062	28,583	28,349	28,095	28,189	28,374
Breakout Force (§)	kN	195	180	174	168	170	160
	lbf	43,852	40,609	39,231	37,763	38,213	36,055
Operating Weight*	kg	20 948	21 045	21 105	21 168	21 101	20 898
	lb	46,182	46,396	46,528	46,667	46,520	46,072

* Static tipping loads and operating weights shown are based on a machine configuration with Bridgestone 23.5R25 VJT L3 radial tires, full fluids, operator, aggregate counterweight, ride control, cold start, roading fenders, Product Link, manual diff lock/open axles (front and rear), powertrain guard, secondary steering and sound suppression.

† Illustration shown with Dimension charts.

*** Rock bucket specifications are given on Bridgestone 23.5R25 VSDL L5 radial tires.

(§) Measured 100 mm (4") behind tip of cutting edge with bucket hinge pin as pivot point in accordance with ISO 14397-2:2007.

(With tire deflection) Full compliance to ISO 14397-1:2007 Sections 1 thru 6, which requires 2% verification between calculations and testing.

(No tire deflection) Compliance to ISO 14397-1:2007 Sections 1 thru 5.

Other buckets are available and offerings vary by region. Consult your local Cat dealer for further details.

962 Wheel Loader Specifications

Operating Specifications – Buckets (continued)

Linkage		Aggregate Handler							
Bucket Type		Flat Floor – Hook-On – Fusion						Flat Floor – Hook-On – Fusion – BGE – FMT	
Edge Type		Bolt-On Cutting Edges	Teeth and Segments	Tips	Bolt-On Cutting Edges	Teeth and Segments	Tips	Tips	Tips
Capacity – Rated	m ³	3.60	3.60	3.40	3.80	3.80	3.70	3.40	3.80
	yd ³	4.75	4.75	4.50	5.00	5.00	4.75	4.50	5.00
Capacity – Rated at 110% Fill Factor	m ³	4.00	4.00	3.70	4.20	4.20	4.00	3.70	4.20
	yd ³	5.25	5.25	4.75	5.50	5.50	5.25	4.75	5.50
Width	mm	2927	2994	2994	2927	2994	2994	2995	2995
	ft/in	9'7"	9'9"	9'9"	9'7"	9'9"	9'9"	9'9"	9'9"
16 † Dump Clearance at Maximum Lift and 45° Discharge	mm	2889	2763	2763	2836	2710	2710	2673	2598
	ft/in	9'5"	9'0"	9'0"	9'3"	8'10"	8'10"	8'9"	8'6"
17 † Reach at Maximum Lift and 45° Discharge	mm	1420	1522	1522	1473	1575	1575	1554	1628
	ft/in	4'7"	4'11"	4'11"	4'10"	5'2"	5'2"	5'1"	5'4"
Reach at Level Lift Arm and Bucket Level	mm	2980	3141	3141	3055	3216	3216	3227	3332
	ft/in	9'9"	10'3"	10'3"	10'0"	10'6"	10'6"	10'7"	10'11"
A † Digging Depth	mm	103	103	73	103	103	73	76	76
	in	4"	4"	2.9"	4"	4"	2.9"	3"	3"
12 † Overall Length	mm	8820	8993	8993	8895	9068	9068	9108	9213
	ft/in	29'0"	29'7"	29'7"	29'3"	29'9"	29'9"	29'11"	30'3"
B † Overall Height with Bucket at Maximum Lift	mm	5845	5845	5845	5910	5910	5910	5846	5962
	ft/in	19'3"	19'3"	19'3"	19'5"	19'5"	19'5"	19'3"	19'7"
Loader Clearance Circle Radius with Bucket at Carry Position	mm	6840	6928	6928	6864	6952	6952	6973	7007
	ft/in	22'6"	22'9"	22'9"	22'7"	22'10"	22'10"	22'11"	23'0"
Static Tipping Load, Straight (With tire deflection)	kg	13 920	13 780	14 113	13 575	13 436	13 767	13 673	13 440
	lb	30,690	30,381	31,115	29,929	29,622	30,352	30,145	29,632
Static Tipping Load, Straight (No tire deflection)	kg	14 711	14 570	14 914	14 348	14 207	14 550	14 460	14 230
	lb	32,432	32,121	32,880	31,632	31,322	32,078	31,880	31,372
Static Tipping Load, Articulated (With tire deflection)	kg	11 834	11 694	12 008	11 523	11 384	11 696	11 584	11 364
	lb	26,090	25,782	26,473	25,405	25,097	25,785	25,540	25,054
Static Tipping Load, Articulated (No tire deflection)	kg	12 644	12 503	12 827	12 316	12 175	12 498	12 391	12 173
	lb	27,875	27,564	28,280	27,152	26,841	27,555	27,317	26,838
Breakout Force (§)	kN	170	168	182	160	159	172	177	165
	lbf	38,207	37,968	41,111	36,152	35,913	38,769	39,922	37,126
Operating Weight*	kg	21 261	21 369	21 212	21 367	21 475	21 318	21 518	21 641
	lb	46,871	47,110	46,763	47,105	47,343	46,997	47,438	47,709

* Static tipping loads and operating weights shown are based on a machine configuration with Bridgestone 23.5R25 VJT L3 radial tires, full fluids, operator, aggregate counterweight, ride control, cold start, roading fenders, Product Link, manual diff lock/open axles (front and rear), powertrain guard, secondary steering and sound suppression.

† Illustration shown with Dimension charts.

*** Rock bucket specifications are given on Bridgestone 23.5R25 VSDL L5 radial tires.

(§) Measured 100 mm (4") behind tip of cutting edge with bucket hinge pin as pivot point in accordance with ISO 14397-2:2007.

(With tire deflection) Full compliance to ISO 14397-1:2007 Sections 1 thru 6, which requires 2% verification between calculations and testing.

(No tire deflection) Compliance to ISO 14397-1:2007 Sections 1 thru 5.

Other buckets are available and offerings vary by region. Consult your local Cat dealer for further details.

962 Wheel Loader Specifications

Operating Specifications – Buckets (continued)

Linkage		Aggregate Handler				
Bucket Type		High Dump – Pin-On				High Dump – Pin-On – Abrasion
Edge Type		Bolt-On Cutting Edges	Bolt-On Cutting Edges	Bolt-On Cutting Edges	Bolt-On Cutting Edges	Bolt-On Cutting Edges
Capacity – Rated	m ³	5.10	6.10	7.60	9.20	8.20
	yd ³	6.75	8.00	10.00	12.00	10.75
Capacity – Rated at 110% Fill Factor	m ³	5.60	6.70	8.40	10.10	9.00
	yd ³	7.25	8.75	11.00	13.25	11.75
Width	mm	3029	2910	3350	3350	3205
	ft/in	9'11"	9'6"	10'11"	10'11"	10'6"
16 † Dump Clearance at Maximum Lift and 45° Discharge	mm	2664	2539	2467	2326	2465
	ft/in	8'8"	8'3"	8'1"	7'7"	8'1"
17 † Reach at Maximum Lift and 45° Discharge	mm	1655	1676	1842	1983	1844
	ft/in	5'5"	5'6"	6'0"	6'6"	6'0"
Reach at Level Lift Arm and Bucket Level	mm	3305	3408	3576	3776	3580
	ft/in	10'10"	11'2"	11'8"	12'4"	11'8"
A † Digging Depth	mm	96	170	73	73	103
	in	3.7"	6.7"	2.9"	2.9"	4"
12 † Overall Length	mm	9140	9294	9416	9616	9420
	ft/in	30'0"	30'6"	30'11"	31'7"	30'11"
B † Overall Height with Bucket at Maximum Lift	mm	6280	6288	6262	6463	6691
	ft/in	20'8"	20'8"	20'7"	21'3"	22'0"
Loader Clearance Circle Radius with Bucket at Carry Position	mm	6989	6999	7221	7289	7159
	ft/in	23'0"	23'0"	23'9"	23'11"	23'6"
Static Tipping Load, Straight (With tire deflection)	kg	13 023	12 047	12 471	12 113	11 628
	lb	28,712	26,561	27,494	26,705	25,635
Static Tipping Load, Straight (No tire deflection)	kg	13 818	12 828	13 299	12 945	12 430
	lb	30,464	28,282	29,321	28,540	27,405
Static Tipping Load, Articulated (With tire deflection)	kg	11 001	10 066	10 444	10 108	9634
	lb	24,254	22,192	23,025	22,285	21,239
Static Tipping Load, Articulated (No tire deflection)	kg	11 816	10 866	11 292	10 960	10 457
	lb	26,050	23,957	24,895	24,164	23,054
Breakout Force (§)	kN	134	125	119	106	110
	lbf	30,232	28,177	26,770	23,909	24,768
Operating Weight*	kg	21 526	22 288	22 087	22 260	22 680
	lb	47,456	49,136	48,693	49,074	50,000

* Static tipping loads and operating weights shown are based on a machine configuration with Bridgestone 23.5R25 VJT L3 radial tires, full fluids, operator, aggregate counterweight, ride control, cold start, roading fenders, Product Link, manual diff lock/open axles (front and rear), powertrain guard, secondary steering and sound suppression.

† Illustration shown with Dimension charts.

*** Rock bucket specifications are given on Bridgestone 23.5R25 VSDL L5 radial tires.

(§) Measured 100 mm (4") behind tip of cutting edge with bucket hinge pin as pivot point in accordance with ISO 14397-2:2007.

(With tire deflection) Full compliance to ISO 14397-1:2007 Sections 1 thru 6, which requires 2% verification between calculations and testing.

(No tire deflection) Compliance to ISO 14397-1:2007 Sections 1 thru 5.

Other buckets are available and offerings vary by region. Consult your local Cat dealer for further details.

962 Wheel Loader Specifications

Operating Specifications – Buckets (continued)

Linkage		Aggregate Handler		
Bucket Type		High Dump – Hook-On – Fusion		
Edge Type		Bolt-On Cutting Edges	Bolt-On Cutting Edges	Bolt-On Cutting Edges
Capacity – Rated	m ³	6.10	7.60	9.20
	yd ³	8.00	10.00	12.00
Capacity – Rated at 110% Fill Factor	m ³	6.70	8.40	10.10
	yd ³	8.75	11.00	13.25
Width	mm	3037	3350	3350
	ft/in	9'11"	10'11"	10'11"
16† Dump Clearance at Maximum Lift and 45° Discharge	mm	2493	2421	2280
	ft/in	8'2"	7'11"	7'5"
17† Reach at Maximum Lift and 45° Discharge	mm	1816	1888	2029
	ft/in	5'11"	6'2"	6'7"
Reach at Level Lift Arm and Bucket Level	mm	3540	3641	3841
	ft/in	11'7"	11'11"	12'7"
A† Digging Depth	mm	103	73	73
	in	4"	2.9"	2.9"
12† Overall Length	mm	9380	9481	9681
	ft/in	30'10"	31'2"	31'10"
B† Overall Height with Bucket at Maximum Lift	mm	6237	6303	6504
	ft/in	20'6"	20'9"	21'5"
Loader Clearance Circle Radius with Bucket at Carry Position	mm	7073	7243	7312
	ft/in	23'3"	23'10"	24'0"
Static Tipping Load, Straight (With tire deflection)	kg	11 675	11 806	11 458
	lb	25,740	26,028	25,262
Static Tipping Load, Straight (No tire deflection)	kg	12 430	12 618	12 273
	lb	27,404	27,819	27,058
Static Tipping Load, Articulated (With tire deflection)	kg	9742	9809	9483
	lb	21,477	21,626	20,908
Static Tipping Load, Articulated (No tire deflection)	kg	10 518	10 641	10 319
	lb	23,189	23,461	22,749
Breakout Force (§)	kN	115	114	102
	lbf	26,026	25,672	22,980
Operating Weight*	kg	22 435	22 654	22 826
	lb	49,460	49,943	50,322

* Static tipping loads and operating weights shown are based on a machine configuration with Bridgestone 23.5R25 VJT L3 radial tires, full fluids, operator, aggregate counterweight, ride control, cold start, roading fenders, Product Link, manual diff lock/open axles (front and rear), powertrain guard, secondary steering and sound suppression.

† Illustration shown with Dimension charts.

*** Rock bucket specifications are given on Bridgestone 23.5R25 VSDL L5 radial tires.

(§) Measured 100 mm (4") behind tip of cutting edge with bucket hinge pin as pivot point in accordance with ISO 14397-2:2007.

(With tire deflection) Full compliance to ISO 14397-1:2007 Sections 1 thru 6, which requires 2% verification between calculations and testing.

(No tire deflection) Compliance to ISO 14397-1:2007 Sections 1 thru 5.

Other buckets are available and offerings vary by region. Consult your local Cat dealer for further details.

962 Wheel Loader Specifications

Operating Specifications – Buckets (continued)

Linkage		Aggregate Handler			
Bucket Type		Woodchip – Pin-On		Woodchip – Hook-On – Fusion	
Edge Type		Bolt-On Cutting Edges	Bolt-On Cutting Edges	Bolt-On Cutting Edges	Bolt-On Cutting Edges
Capacity – Rated	m ³	9.20	9.90	9.20	9.90
	yd ³	12.00	13.00	12.00	13.00
Capacity – Rated at 110% Fill Factor	m ³	10.10	10.90	10.10	10.90
	yd ³	13.25	14.25	13.25	14.25
Width	mm	3330	3330	3330	3330
	ft/in	10'11"	10'11"	10'11"	10'11"
16† Dump Clearance at Maximum Lift and 45° Discharge	mm	2450	2375	2357	2353
	ft/in	8'0"	7'9"	7'8"	7'8"
17† Reach at Maximum Lift and 45° Discharge	mm	1866	1941	1959	1963
	ft/in	6'1"	6'4"	6'5"	6'5"
Reach at Level Lift Arm and Bucket Level	mm	3605	3711	3737	3743
	ft/in	11'9"	12'2"	12'3"	12'3"
A† Digging Depth	mm	98	98	98	98
	in	3.8"	3.8"	3.8"	3.8"
12† Overall Length	mm	9442	9548	9574	9580
	ft/in	31'0"	31'4"	31'5"	31'6"
B† Overall Height with Bucket at Maximum Lift	mm	6454	6546	6512	6563
	ft/in	21'3"	21'6"	21'5"	21'7"
Loader Clearance Circle Radius with Bucket at Carry Position	mm	7220	7256	7266	7268
	ft/in	23'9"	23'10"	23'11"	23'11"
Static Tipping Load, Straight (With tire deflection)	kg	13 229	13 153	11 886	11 936
	lb	29,166	28,998	26,204	26,314
Static Tipping Load, Straight (No tire deflection)	kg	14 084	14 017	12 639	12 698
	lb	31,050	30,904	27,864	27,994
Static Tipping Load, Articulated (With tire deflection)	kg	11 190	11 107	9980	10 024
	lb	24,671	24,487	22,003	22,099
Static Tipping Load, Articulated (No tire deflection)	kg	12 064	11 990	10 755	10 808
	lb	26,596	26,435	23,712	23,828
Breakout Force (§)	kN	114	107	106	105
	lbf	25,658	24,210	23,948	23,808
Operating Weight*	kg	21 360	21 452	21 995	21 956
	lb	47,090	47,293	48,490	48,404

* Static tipping loads and operating weights shown are based on a machine configuration with Bridgestone 23.5R25 VJT L3 radial tires, full fluids, operator, aggregate counterweight, ride control, cold start, roading fenders, Product Link, manual diff lock/open axles (front and rear), powertrain guard, secondary steering and sound suppression.

† Illustration shown with Dimension charts.

*** Rock bucket specifications are given on Bridgestone 23.5R25 VSDL L5 radial tires.

(§) Measured 100 mm (4") behind tip of cutting edge with bucket hinge pin as pivot point in accordance with ISO 14397-2:2007.

(With tire deflection) Full compliance to ISO 14397-1:2007 Sections 1 thru 6, which requires 2% verification between calculations and testing.

(No tire deflection) Compliance to ISO 14397-1:2007 Sections 1 thru 5.

Other buckets are available and offerings vary by region. Consult your local Cat dealer for further details.

962 Wheel Loader Specifications

Operating Specifications – Buckets (continued)

Linkage		Aggregate Handler	
Bucket Type		Side Dump – Pin-On	Side Dump – Hook-On – Fusion
Edge Type		Bolt-On Cutting Edges	Bolt-On Cutting Edges
Capacity – Rated	m ³	2.90	2.90
	yd ³	3.75	3.75
Capacity – Rated at 110% Fill Factor	m ³	3.20	3.20
	yd ³	4.25	4.25
Width	mm	3220	3220
	ft/in	10'6"	10'6"
16† Dump Clearance at Maximum Lift and 45° Discharge	mm	2940	2941
	ft/in	9'7"	9'7"
17† Reach at Maximum Lift and 45° Discharge	mm	1362	1361
	ft/in	4'5"	4'5"
Reach at Level Lift Arm and Bucket Level	mm	2902	2901
	ft/in	9'6"	9'6"
A† Digging Depth	mm	109	108
	in	4.3"	4.2"
12† Overall Length	mm	8746	8745
	ft/in	28'9"	28'9"
B† Overall Height with Bucket at Maximum Lift	mm	5730	5722
	ft/in	18'10"	18'10"
Loader Clearance Circle Radius with Bucket at Carry Position	mm	6927	6947
	ft/in	22'9"	22'10"
Static Tipping Load, Straight (With tire deflection)	kg	13,568	13,284
	lb	29,914	29,287
Static Tipping Load, Straight (No tire deflection)	kg	14,361	14,076
	lb	31,661	31,032
Static Tipping Load, Articulated (With tire deflection)	kg	11,505	11,221
	lb	25,365	24,740
Static Tipping Load, Articulated (No tire deflection)	kg	12,318	12,033
	lb	27,158	26,529
Breakout Force (§)	kN	175	177
	lbf	39,330	39,890
Operating Weight*	kg	21,361	21,817
	lb	47,092	48,098

* Static tipping loads and operating weights shown are based on a machine configuration with Bridgestone 23.5R25 VJT L3 radial tires, full fluids, operator, aggregate counterweight, ride control, cold start, roading fenders, Product Link, manual diff lock/open axles (front and rear), powertrain guard, secondary steering and sound suppression.

† Illustration shown with Dimension charts.

*** Rock bucket specifications are given on Bridgestone 23.5R25 VSDL L5 radial tires.

(§) Measured 100 mm (4") behind tip of cutting edge with bucket hinge pin as pivot point in accordance with ISO 14397-2:2007.

(With tire deflection) Full compliance to ISO 14397-1:2007 Sections 1 thru 6, which requires 2% verification between calculations and testing.

(No tire deflection) Compliance to ISO 14397-1:2007 Sections 1 thru 5.

Other buckets are available and offerings vary by region. Consult your local Cat dealer for further details.

962 Wheel Loader Specifications

Fork Specifications

Fork Specifications

1	Tine Length	mm	1524
		in	60.0
2	Load Center	mm	762
		in	30.0
	Static Tipping Load - Straight (Forks Level)	kq	10449
		lbs	23030
	Static Tipping Load - Articulated (Forks Level)	kq	9009
		lbs	19857
	Rated Load (SAE J1197 - 50% FTSTL)	kq	4505
		lbs	9928
	Rated Load (CEN EN 474-3 Rough Terrain - 60% FTSTL)	kq	5406
		lbs	11914
	Rated Load (CEN EN 474-3 Firm and Level Ground - 80% FTSTL)	kq	7208
		lbs	15885
3	Maximum Overall Length	mm	9232
		in	363.5
4	Reach with Forks at Ground Level	mm	1376
		in	54.2
5	*Ground to Bottom of Tine at Minimum Height and Fork Level	mm	-161
		in	-6.4
6	Reach with Arms Horizontal and Forks Level	mm	1849
		in	72.8
7	Reach with Fork at Maximum Height	mm	971
		in	38.2
8	Ground to Top of Tine with Arms Horizontal and Fork Level	mm	1769
		in	69.6
9	Ground to Top of Tine at Maximum Height and Fork Level	mm	3920
		in	154.3
10	Overall Height of Fork at Full Lift (top of carriage to ground)	mm	4695
		in	184.9
11	Clearance at Full Lift and Max Dump	mm	2556
		in	100.6
12	Max Discharge Angle from Horizontal	deg	46
13	Overall Carriage Width	mm	2217
		in	87.3
14	Overall Carriage Height	mm	840
		in	33.1
15	Outside Tine Width (max spread)	mm	2070
		in	81.5
16	Outside Tine Width (min spread)	mm	470
		in	18.5
	Tine Width (single tine)	mm	150.0
		in	5.9
	Tine Thickness	mm	65.0
		in	2.6
	Tine Capacity	kq	6300
		lbs	13885
	Operating Weight	kq	19792
		lbs	43621

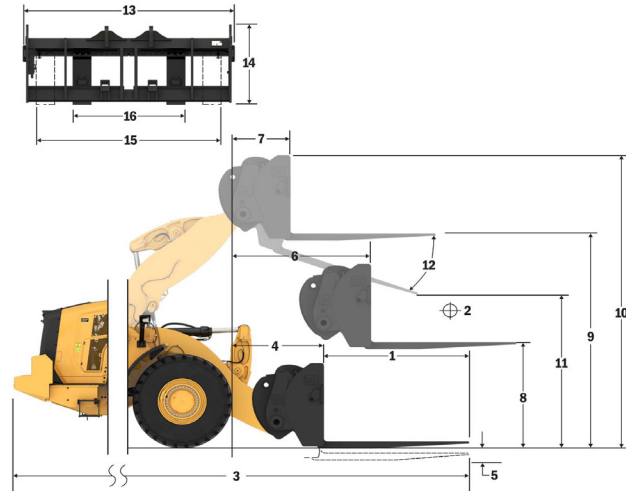
*Negative values indicate below grade

962 STD Pallet Fork, FUSION

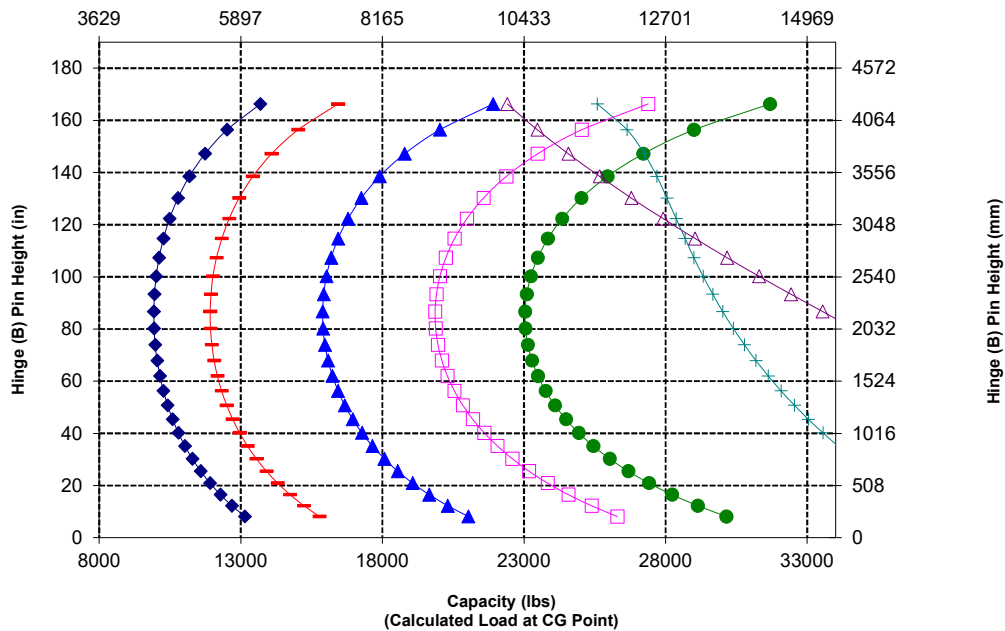
87" Carriage
530-1861

60" Tine
548-3265

*Build 14A
*Parallel Z-Bar Linkage
*Standard Lift Configuration



Capacity (kg)
(Calculated Load at CG Point)



NOTE: Static tipping loads and operating weight are based on the following loader configuration: Bridgestone VJL3 Tires, Air Conditioning, Ride Control, Powertrain Guard, Full Fluids, Fuel Tank, Coolant, Lubricants, and Operator.

Specifications and ratings conform to the following standards: SAE* J1197, ISO 14397-1, CEN** EN 474-3.

The rated operating load for a loader equipped with a pallet fork is determined by:
SAE J1197: 50% of full turn static tipping load or hydraulic limit.
CEN EN 474-3: 60% of full turn static tipping load on rough terrain or hydraulic limit.
CEN EN 474-3: 80% of full turn static tipping load on firm and level ground or hydraulic limit.

*SAE - Society of Automotive Engineers
**CEN - European Committee for Standardization



WARNING: Do not exceed tine load capacity. Individual tine capacity is stamped on the side of each tine.

962 Wheel Loader Specifications

Fork Specifications

Fork Specifications

1	Tine Length	mm	1830
		in	72.0
2	Load Center	mm	915
		in	36.0
	Static Tipping Load - Straight (Forks Level)	kg	9959
		lbs	21950
	Static Tipping Load - Articulated (Forks Level)	kg	8581
		lbs	18912
	Rated Load (SAE J1197 - 50% FTSTL)	kg	4290
		lbs	9456
	Rated Load (CEN EN 474-3 Rough Terrain - 60% FTSTL)	kg	5148
		lbs	11347
	Rated Load (CEN EN 474-3 Firm and Level Ground - 80% FTSTL)	kg	6865
		lbs	15129
3	Maximum Overall Length	mm	9538
		in	375.5
4	Reach with Forks at Ground Level	mm	1376
		in	54.2
5	*Ground to Bottom of Tine at Minimum Height and Fork Level	mm	-161
		in	-6.4
6	Reach with Arms Horizontal and Forks Level	mm	1849
		in	72.8
7	Reach with Fork at Maximum Height	mm	971
		in	38.2
8	Ground to Top of Tine with Arms Horizontal and Fork Level	mm	1769
		in	69.6
9	Ground to Top of Tine at Maximum Height and Fork Level	mm	3920
		in	154.3
10	Overall Height of Fork at Full Lift (top of carriage to ground)	mm	4695
		in	184.9
11	Clearance at Full Lift and Max Dump	mm	2337
		in	92.0
12	Max Discharge Angle from Horizontal	deg	46
13	Overall Carriage Width	mm	2217
		in	87.3
14	Overall Carriage Height	mm	840
		in	33.1
15	Outside Tine Width (max spread)	mm	2070
		in	81.5
16	Outside Tine Width (min spread)	mm	470
		in	18.5
	Tine Width (single tine)	mm	150.0
		in	5.9
	Tine Thickness	mm	65.0
		in	2.6
	Tine Capacity	kg	5246
		lbs	11562
	Operating Weight	kg	19839
		lbs	43724

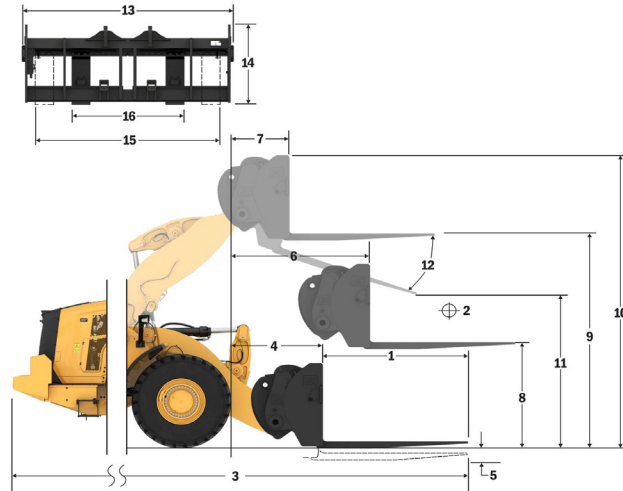
*Negative values indicate below grade

962 STD Pallet Fork, FUSION

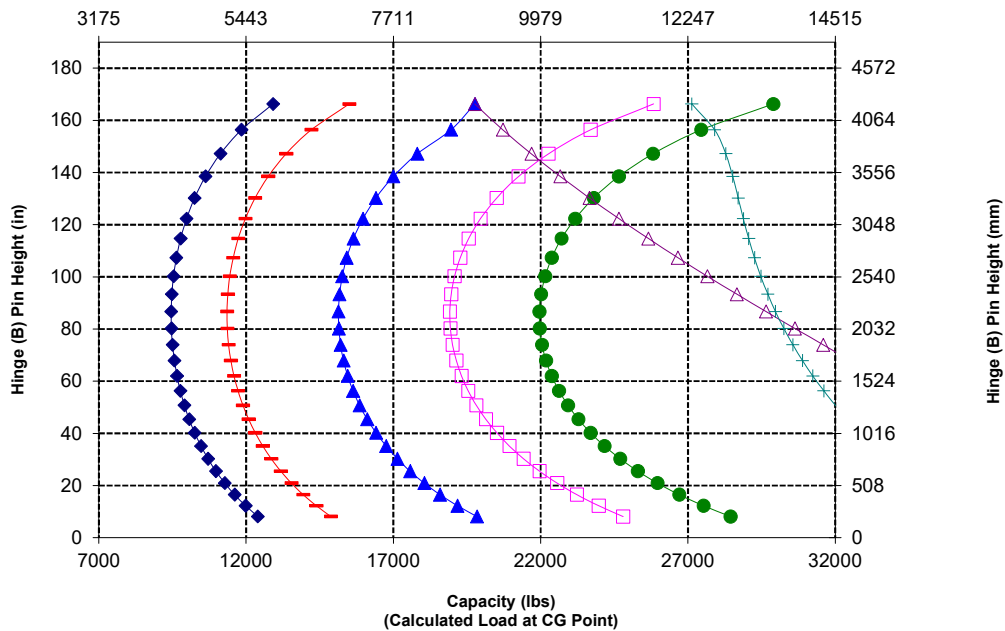
87" Carriage
530-1861

72" Tine
530-1869

*Build 14A
*Parallel Z-Bar Linkage
*Standard Lift Configuration



Capacity (kg)
(Calculated Load at CG Point)



WARNING: Do not exceed tine load capacity. Individual tine capacity is stamped on the side of each tine.

962 Wheel Loader Specifications

Fork Specifications

Fork Specifications

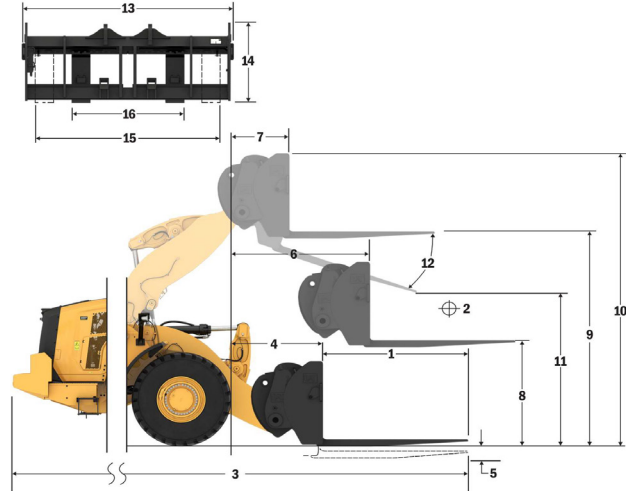
1	Tine Length	mm	1219
		in	48.0
2	Load Center	mm	610
		in	24.0
	Static Tipping Load - Straight (Forks Level)	kq	10718
		lbs	23623
	Static Tipping Load - Articulated (Forks Level)	kq	9208
		lbs	20295
	Rated Load (SAE J1197 - 50% FTSTL)	kq	4604
		lbs	10148
	Rated Load (CEN EN 474-3 Rough Terrain - 60% FTSTL)	kq	5525
		lbs	12177
	Rated Load (CEN EN 474-3 Firm and Level Ground - 80% FTSTL)	kq	7367
		lbs	16236
3	Maximum Overall Length	mm	8884
		in	349.7
4	Reach with Forks at Ground Level	mm	1332
		in	52.5
5	*Ground to Bottom of Tine at Minimum Height and Fork Level	mm	-81
		in	-3.2
6	Reach with Arms Horizontal and Forks Level	mm	1841
		in	72.5
7	Reach with Fork at Maximum Height	mm	963
		in	37.9
8	Ground to Top of Tine with Arms Horizontal and Fork Level	mm	1874
		in	73.8
9	Ground to Top of Tine at Maximum Height and Fork Level	mm	4026
		in	158.5
10	Overall Height of Fork at Full Lift (top of carriage to ground)	mm	5066
		in	199.5
11	Clearance at Full Lift and Max Dump	mm	2740
		in	107.9
12	Max Discharge Angle from Horizontal	deg	52
13	Overall Carriage Width	mm	2528
		in	99.5
14	Overall Carriage Height	mm	1130
		in	44.5
15	Outside Tine Width (max spread)	mm	2178
		in	85.7
16	Outside Tine Width (min spread)	mm	576
		in	22.7
	Tine Width (single tine)	mm	180.0
		in	7.1
	Tine Thickness	mm	90.0
		in	3.5
	Tine Capacity	kq	22200
		lbs	48929
	Operating Weight	kq	20101
		lbs	44302

*Negative values indicate below grade

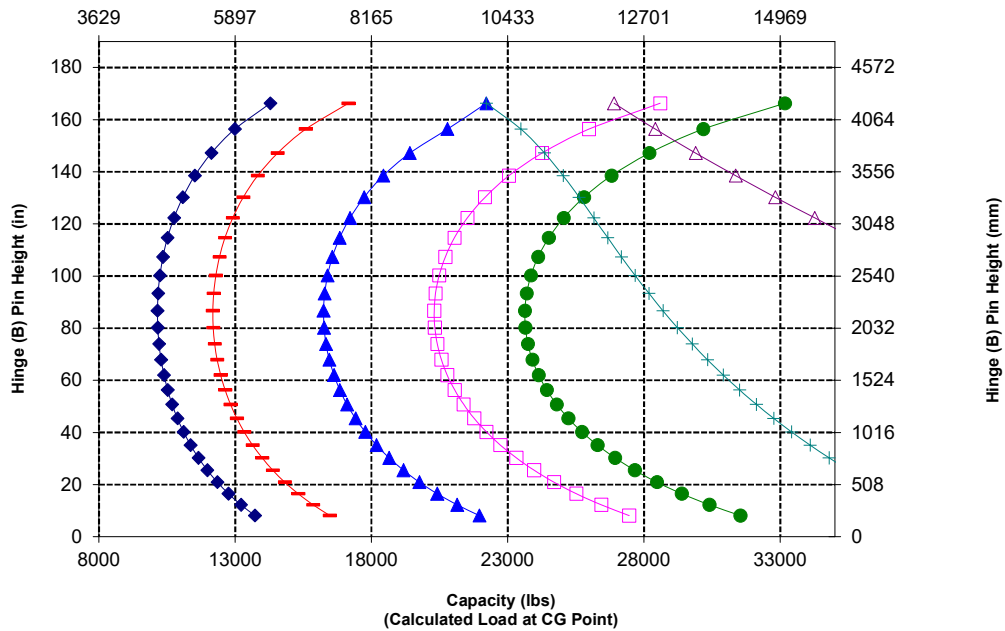
962 STD Construction Fork, FUSION

96" Carriage 48" Tine
520-7957 520-7985

*Build 14A
*Parallel Z-Bar Linkage
*Standard Lift Configuration



Capacity (kg)
(Calculated Load at CG Point)



WARNING: Do not exceed tine load capacity. Individual tine capacity is stamped on the side of each tine.

962 Wheel Loader Specifications

Fork Specifications

Fork Specifications

1	Tine Length	mm	1524
		in	60.0
2	Load Center	mm	762
		in	30.0
	Static Tipping Load - Straight (Forks Level)	kg	10179
		lbs	22433
	Static Tipping Load - Articulated (Forks Level)	kg	8735
		lbs	19252
	Rated Load (SAE J1197 - 50% FTSTL)	kg	4368
		lbs	9626
	Rated Load (CEN EN 474-3 Rough Terrain - 60% FTSTL)	kg	5241
		lbs	11551
	Rated Load (CEN EN 474-3 Firm and Level Ground - 80% FTSTL)	kg	6988
		lbs	15402
3	Maximum Overall Length	mm	9189
		in	361.8
4	Reach with Forks at Ground Level	mm	1333
		in	52.5
5	*Ground to Bottom of Tine at Minimum Height and Fork Level	mm	-81
		in	-3.2
6	Reach with Arms Horizontal and Forks Level	mm	1842
		in	72.5
7	Reach with Fork at Maximum Height	mm	963
		in	37.9
8	Ground to Top of Tine with Arms Horizontal and Fork Level	mm	1874
		in	73.8
9	Ground to Top of Tine at Maximum Height and Fork Level	mm	4026
		in	158.5
10	Overall Height of Fork at Full Lift (top of carriage to ground)	mm	5066
		in	199.5
11	Clearance at Full Lift and Max Dump	mm	2500
		in	98.4
12	Max Discharge Angle from Horizontal	deg	52
13	Overall Carriage Width	mm	2528
		in	99.5
14	Overall Carriage Height	mm	1130
		in	44.5
15	Outside Tine Width (max spread)	mm	2178
		in	85.7
16	Outside Tine Width (min spread)	mm	576
		in	22.7
	Tine Width (single tine)	mm	180.0
		in	7.1
	Tine Thickness	mm	90.0
		in	3.5
	Tine Capacity	kg	17800
		lbs	39231
	Operating Weight	kg	20167
		lbs	44447

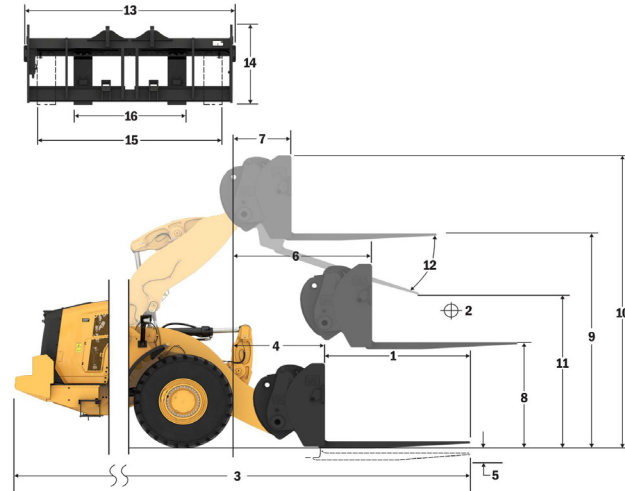
*Negative values indicate below grade

962 STD Construction Fork, FUSION

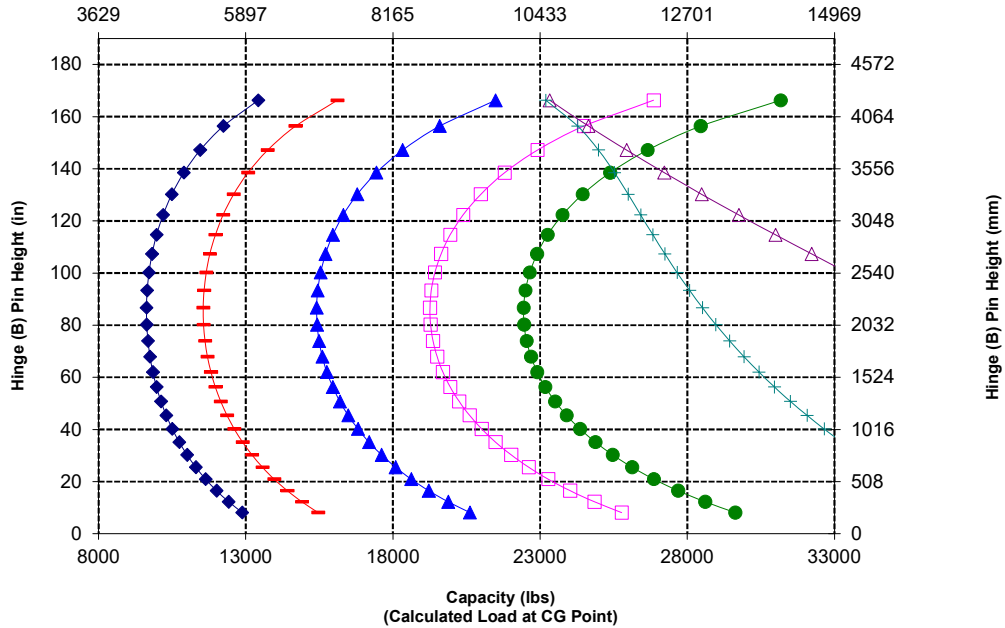
96" Carriage
520-7957

60" Tine
520-7980

*Build 14A
*Parallel Z-Bar Linkage
*Standard Lift Configuration



Capacity (kg)
(Calculated Load at CG Point)



WARNING: Do not exceed tine load capacity. Individual tine capacity is stamped on the side of each tine.

962 Wheel Loader Specifications

Fork Specifications

Fork Specifications

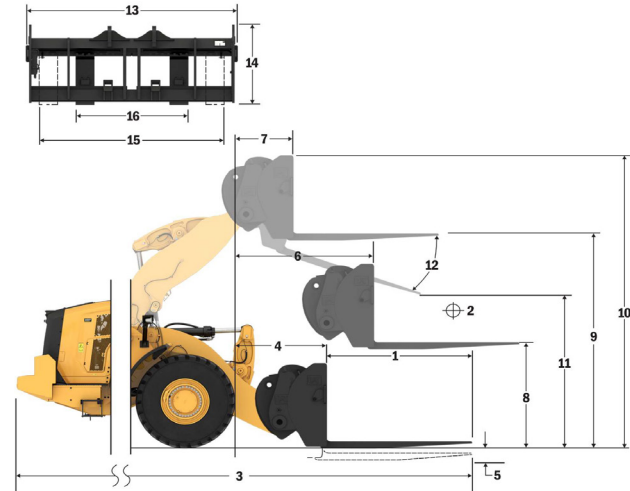
1	Tine Length	mm	1829
		in	72.0
2	Load Center	mm	915
		in	36.0
	Static Tipping Load - Straight (Forks Level)	kq	9683
		lbs	21341
	Static Tipping Load - Articulated (Forks Level)	kq	8300
		lbs	18294
	Rated Load (SAE J1197 - 50% FTSTL)	kq	4150
		lbs	9147
	Rated Load (CEN EN 474-3 Rough Terrain - 60% FTSTL)	kq	4980
		lbs	10977
	Rated Load (CEN EN 474-3 Firm and Level Ground - 80% FTSTL)	kq	6640
		lbs	14635
3	Maximum Overall Length	mm	9494
		in	373.8
4	Reach with Forks at Ground Level	mm	1333
		in	52.5
5	*Ground to Bottom of Tine at Minimum Height and Fork Level	mm	-81
		in	-3.2
6	Reach with Arms Horizontal and Forks Level	mm	1842
		in	72.5
7	Reach with Fork at Maximum Height	mm	963
		in	37.9
8	Ground to Top of Tine with Arms Horizontal and Fork Level	mm	1874
		in	73.8
9	Ground to Top of Tine at Maximum Height and Fork Level	mm	4026
		in	158.5
10	Overall Height of Fork at Full Lift (top of carriage to ground)	mm	5066
		in	199.5
11	Clearance at Full Lift and Max Dump	mm	2259
		in	88.9
12	Max Discharge Angle from Horizontal	deg	52
13	Overall Carriage Width	mm	2528
		in	99.5
14	Overall Carriage Height	mm	1130
		in	44.5
15	Outside Tine Width (max spread)	mm	2178
		in	85.7
16	Outside Tine Width (min spread)	mm	576
		in	22.7
	Tine Width (single tine)	mm	180.0
		in	7.1
	Tine Thickness	mm	90.0
		in	3.5
	Tine Capacity	kq	14800
		lbs	32619
	Operating Weight	kq	20228
		lbs	44581

*Negative values indicate below grade

962 STD Construction Fork, FUSION

96" Carriage 72" Tine
520-7957 520-7979

*Build 14A
*Parallel Z-Bar Linkage
*Standard Lift Configuration



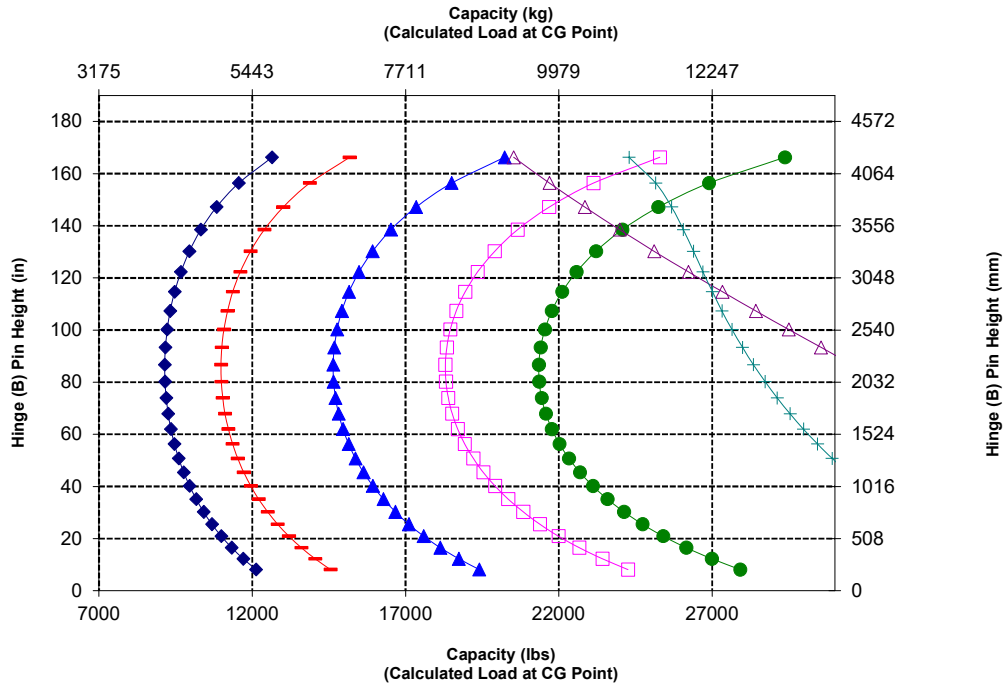
- ◆ Payload (SAE J1197)
- ◆ Payload (CEN EN 474-3 - Rough Terrain)
- ◆ Payload (CEN EN 474-3 - Firm & Level)
- ◆ Static Tipping Load - Articulated
- ◆ Static Tipping Load - Straight
- ◆ Hydraulic Tilt Capacity
- ◆ Hydraulic Lift Capacity

NOTE: Static tipping loads and operating weight are based on the following loader configuration: Bridgestone VJTL3 Tires, Air Conditioning, Ride Control, Powertrain Guard, Full Fluids, Fuel Tank, Coolant, Lubricants, and Operator.

Specifications and ratings conform to the following standards: SAE* J1197, ISO 14397-1, CEN** EN 474-3.

The rated operating load for a loader equipped with a pallet fork is determined by:
SAE J1197: 50% of full turn static tipping load or hydraulic limit.
CEN EN 474-3: 60% of full turn static tipping load on rough terrain or hydraulic limit.
CEN EN 474-3: 80% of full turn static tipping load on firm and level ground or hydraulic limit.

*SAE - Society of Automotive Engineers
**CEN - European Committee for Standardization



WARNING: Do not exceed tine load capacity. Individual tine capacity is stamped on the side of each tine.

Fork Specifications

Fork Specifications

1	Tine Length	mm	2134
		in	84.0
2	Load Center	mm	1067
		in	42.0
	Static Tipping Load - Straight (Forks Level)	kg	9221
		lbs	20322
	Static Tipping Load - Articulated (Forks Level)	kg	7894
		lbs	17399
	Rated Load (SAE J1197 - 50% FTSTL)	kg	3947
		lbs	8700
	Rated Load (CEN EN 474-3 Rough Terrain - 60% FTSTL)	kg	4737
		lbs	10440
	Rated Load (CEN EN 474-3 Firm and Level Ground - 80% FTSTL)	kg	6316
		lbs	13920
3	Maximum Overall Length	mm	9799
		in	385.8
4	Reach with Forks at Ground Level	mm	1333
		in	52.5
5	*Ground to Bottom of Tine at Minimum Height and Fork Level	mm	-81
		in	-3.2
6	Reach with Arms Horizontal and Forks Level	mm	1842
		in	72.5
7	Reach with Fork at Maximum Height	mm	963
		in	37.9
8	Ground to Top of Tine with Arms Horizontal and Fork Level	mm	1874
		in	73.8
9	Ground to Top of Tine at Maximum Height and Fork Level	mm	4026
		in	158.5
10	Overall Height of Fork at Full Lift (top of carriage to ground)	mm	5066
		in	199.5
11	Clearance at Full Lift and Max Dump	mm	2019
		in	79.5
12	Max Discharge Angle from Horizontal	deg	52
13	Overall Carriage Width	mm	2528
		in	99.5
14	Overall Carriage Height	mm	1130
		in	44.5
15	Outside Tine Width (max spread)	mm	2178
		in	85.7
16	Outside Tine Width (min spread)	mm	576
		in	22.7
	Tine Width (single tine)	mm	180.0
		in	7.1
	Tine Thickness	mm	90.0
		in	3.5
	Tine Capacity	kg	12700
		lbs	27991
	Operating Weight	kg	20291
		lbs	44720

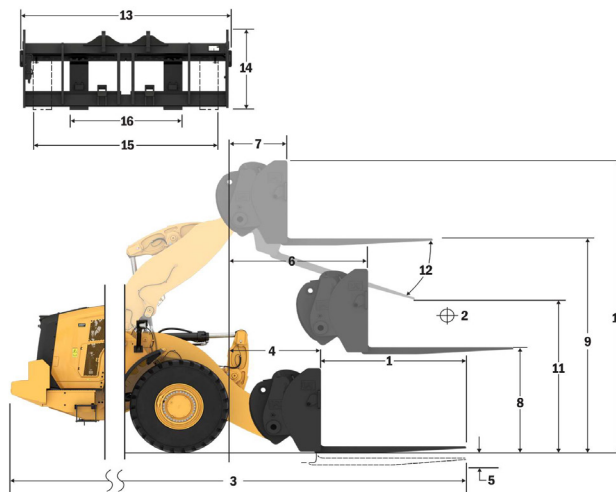
*Negative values indicate below grade

962 STD Construction Fork, FUSION

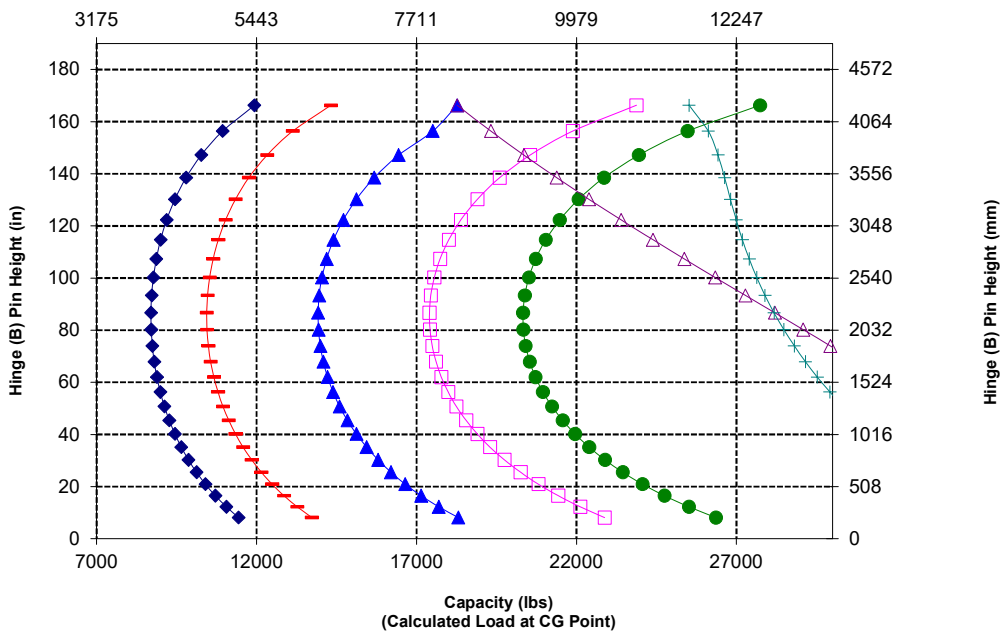
96" Carriage
520-7957

84" Tine
520-7986

*Build 14A
*Parallel Z-Bar Linkage
*Standard Lift Configuration



Capacity (kg)
(Calculated Load at CG Point)



NOTE: Static tipping loads and operating weight are based on the following loader configuration: Bridgestone VJLT3 Tires, Air Conditioning, Ride Control, Powertrain Guard, Full Fluids, Fuel Tank, Coolant, Lubricants, and Operator.

Specifications and ratings conform to the following standards: SAE* J1197, ISO 14397-1, CEN** EN 474-3.

The rated operating load for a loader equipped with a pallet fork is determined by:
SAE J1197: 50% of full turn static tipping load or hydraulic limit.
CEN EN 474-3: 60% of full turn static tipping load on rough terrain or hydraulic limit.
CEN EN 474-3: 80% of full turn static tipping load on firm and level ground or hydraulic limit.

*SAE - Society of Automotive Engineers
**CEN - European Committee for Standardization



WARNING: Do not exceed tine load capacity. Individual tine capacity is stamped on the side of each tine.

962 Wheel Loader Specifications

Fork Specifications

Fork Specifications

1	Tine Length	mm	2438
		in	96.0
2	Load Center	mm	1219
		in	48.0
	Static Tipping Load - Straight (Forks Level)	kq	8792
		lbs	19378
	Static Tipping Load - Articulated (Forks Level)	kq	7518
		lbs	16569
	Rated Load (SAE J1197 - 50% FTSTL)	kq	3759
		lbs	8285
	Rated Load (CEN EN 474-3 Rough Terrain - 60% FTSTL)	kq	4511
		lbs	9942
	Rated Load (CEN EN 474-3 Firm and Level Ground - 80% FTSTL)	kq	6014
		lbs	13255
3	Maximum Overall Length	mm	10103
		in	397.7
4	Reach with Forks at Ground Level	mm	1333
		in	52.5
5	*Ground to Bottom of Tine at Minimum Height and Fork Level	mm	-81
		in	-3.2
6	Reach with Arms Horizontal and Forks Level	mm	1842
		in	72.5
7	Reach with Fork at Maximum Height	mm	963
		in	37.9
8	Ground to Top of Tine with Arms Horizontal and Fork Level	mm	1874
		in	73.8
9	Ground to Top of Tine at Maximum Height and Fork Level	mm	4026
		in	158.5
10	Overall Height of Fork at Full Lift (top of carriage to ground)	mm	5066
		in	199.5
11	Clearance at Full Lift and Max Dump	mm	1779
		in	70.0
12	Max Discharge Angle from Horizontal	deg	52
13	Overall Carriage Width	mm	2528
		in	99.5
14	Overall Carriage Height	mm	1130
		in	44.5
15	Outside Tine Width (max spread)	mm	2178
		in	85.7
16	Outside Tine Width (min spread)	mm	576
		in	22.7
	Tine Width (single tine)	mm	180.0
		in	7.1
	Tine Thickness	mm	90.0
		in	3.5
	Tine Capacity	kq	11300
		lbs	24905
	Operating Weight	kq	20353
		lbs	44857

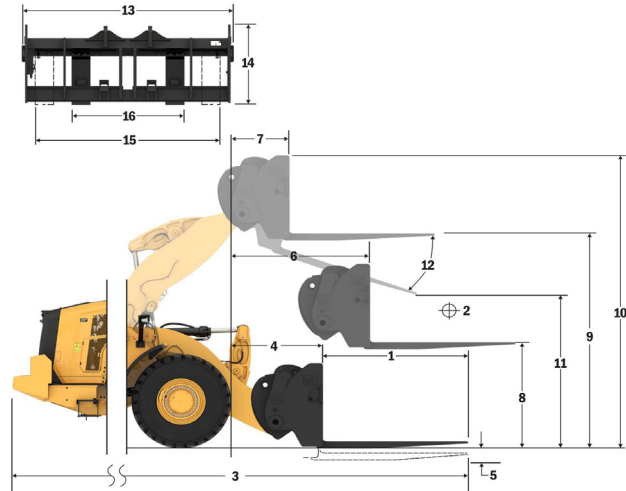
*Negative values indicate below grade

962 STD Construction Fork, FUSION

96" Carriage
520-7957

96" Tine
520-7981

*Build 14A
*Parallel Z-Bar Linkage
*Standard Lift Configuration



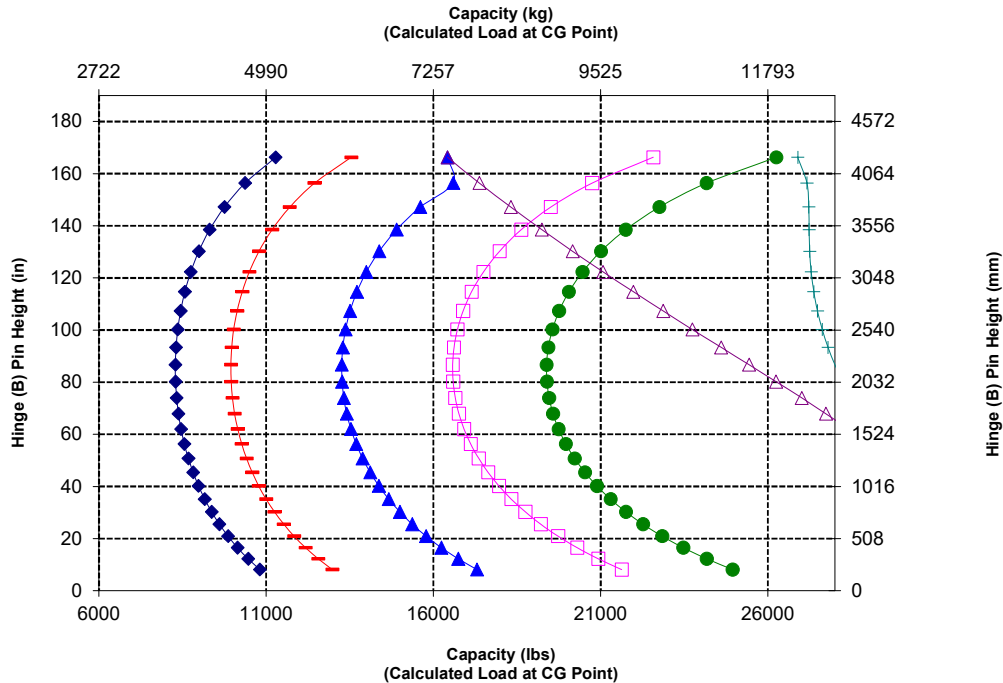
- ◆ Payload (SAE J1197)
- ◆ Payload (CEN EN 474-3 - Rough Terrain)
- ◆ Payload (CEN EN 474-3 - Firm & Level)
- ◆ Static Tipping Load - Articulated
- ◆ Static Tipping Load - Straight
- ◆ Hydraulic Lift Capacity
- ◆ Hydraulic Lift Capacity

NOTE: Static tipping loads and operating weight are based on the following loader configuration: Bridgestone VJTL3 Tires, Air Conditioning, Ride Control, Powertrain Guard, Full Fluids, Fuel Tank, Coolant, Lubricants, and Operator.

Specifications and ratings conform to the following standards: SAE* J1197, ISO 14397-1, CEN** EN 474-3.

The rated operating load for a loader equipped with a pallet fork is determined by:
SAE J1197: 50% of full turn static tipping load or hydraulic limit.
CEN EN 474-3: 60% of full turn static tipping load on rough terrain or hydraulic limit.
CEN EN 474-3: 80% of full turn static tipping load on firm and level ground or hydraulic limit.

*SAE - Society of Automotive Engineers
**CEN - European Committee for Standardization



WARNING: Do not exceed tine load capacity. Individual tine capacity is stamped on the side of each tine.

962 Wheel Loader Specifications

Fork Specifications

Fork Specifications

1	Tine Length	mm	1219
		in	48.0
2	Load Center	mm	610
		in	24.0
	Static Tipping Load - Straight (Forks Level)	kg	10677
		lbs	23533
	Static Tipping Load - Articulated (Forks Level)	kg	9167
		lbs	20205
	Rated Load (SAE J1197 - 50% FTSTL)	kg	4584
		lbs	10102
	Rated Load (CEN EN 474-3 Rough Terrain - 60% FTSTL)	kg	5500
		lbs	12123
	Rated Load (CEN EN 474-3 Firm and Level Ground - 80% FTSTL)	kg	7334
		lbs	16164
3	Maximum Overall Length	mm	8884
		in	349.7
4	Reach with Forks at Ground Level	mm	1332
		in	52.5
5	*Ground to Bottom of Tine at Minimum Height and Fork Level	mm	-81
		in	-3.2
6	Reach with Arms Horizontal and Forks Level	mm	1841
		in	72.5
7	Reach with Fork at Maximum Height	mm	963
		in	37.9
8	Ground to Top of Tine with Arms Horizontal and Fork Level	mm	1874
		in	73.8
9	Ground to Top of Tine at Maximum Height and Fork Level	mm	4026
		in	158.5
10	Overall Height of Fork at Full Lift (top of carriage to ground)	mm	5066
		in	199.5
11	Clearance at Full Lift and Max Dump	mm	2740
		in	107.9
12	Max Discharge Angle from Horizontal	deg	52
13	Overall Carriage Width	mm	2833
		in	111.5
14	Overall Carriage Height	mm	1130
		in	44.5
15	Outside Tine Width (max spread)	mm	2493
		in	98.1
16	Outside Tine Width (min spread)	mm	590
		in	23.2
	Tine Width (single tine)	mm	180.0
		in	7.1
	Tine Thickness	mm	90.0
		in	3.5
	Tine Capacity	kg	22200
		lbs	48929
	Operating Weight	kg	20154
		lbs	44418

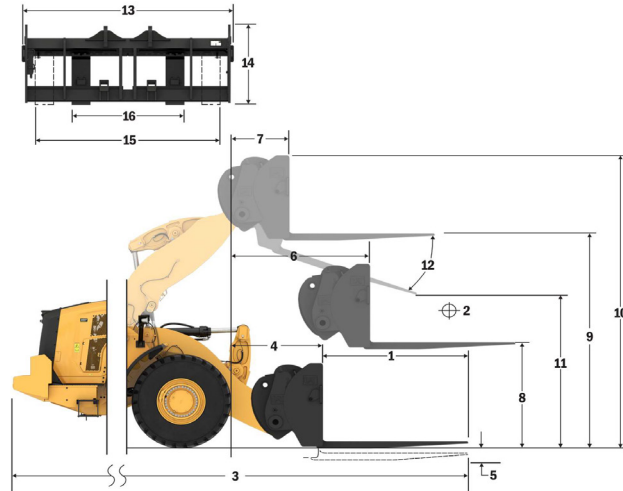
*Negative values indicate below grade

962 STD Construction Fork, FUSION

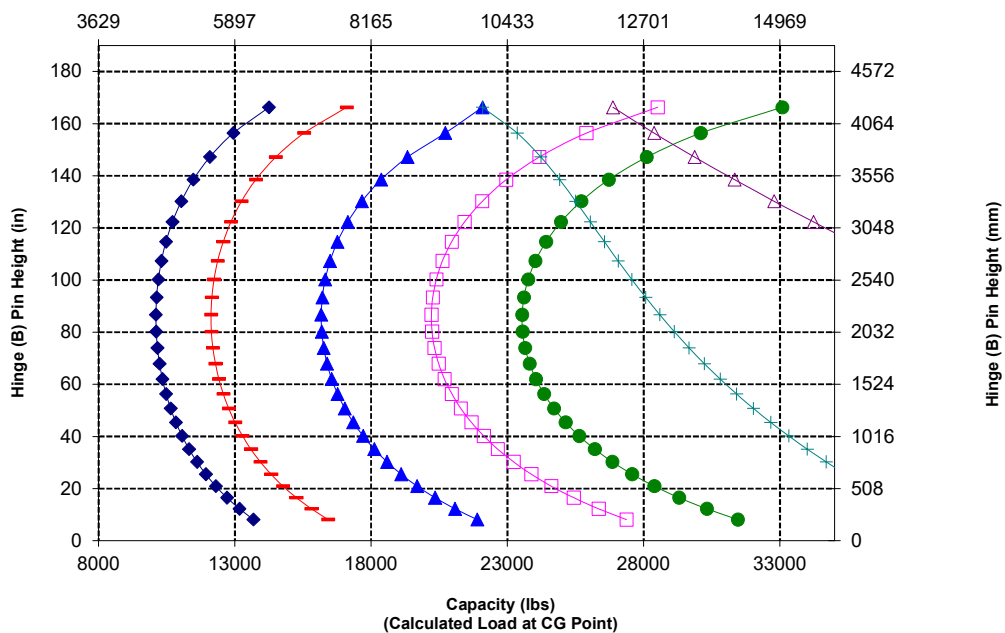
108" Carriage
520-7968

48" Tine
520-7985

*Build 14A
*Parallel Z-Bar Linkage
*Standard Lift Configuration



Capacity (kg)
(Calculated Load at CG Point)



WARNING: Do not exceed tine load capacity. Individual tine capacity is stamped on the side of each tine.

962 Wheel Loader Specifications

Fork Specifications

Fork Specifications

1	Tine Length	mm	1524
		in	60.0
2	Load Center	mm	762
		in	30.0
	Static Tipping Load - Straight (Forks Level)	kq	10143
		lbs	22355
	Static Tipping Load - Articulated (Forks Level)	kq	8700
		lbs	19174
	Rated Load (SAE J1197 - 50% FTSTL)	kq	4350
		lbs	9587
	Rated Load (CEN EN 474-3 Rough Terrain - 60% FTSTL)	kq	5220
		lbs	11504
	Rated Load (CEN EN 474-3 Firm and Level Ground - 80% FTSTL)	kq	6960
		lbs	15339
3	Maximum Overall Length	mm	9189
		in	361.8
4	Reach with Forks at Ground Level	mm	1333
		in	52.5
5	*Ground to Bottom of Tine at Minimum Height and Fork Level	mm	-81
		in	-3.2
6	Reach with Arms Horizontal and Forks Level	mm	1842
		in	72.5
7	Reach with Fork at Maximum Height	mm	963
		in	37.9
8	Ground to Top of Tine with Arms Horizontal and Fork Level	mm	1874
		in	73.8
9	Ground to Top of Tine at Maximum Height and Fork Level	mm	4026
		in	158.5
10	Overall Height of Fork at Full Lift (top of carriage to ground)	mm	5066
		in	199.5
11	Clearance at Full Lift and Max Dump	mm	2500
		in	98.4
12	Max Discharge Angle from Horizontal	deg	52
13	Overall Carriage Width	mm	2833
		in	111.5
14	Overall Carriage Height	mm	1130
		in	44.5
15	Outside Tine Width (max spread)	mm	2483
		in	97.8
16	Outside Tine Width (min spread)	mm	590
		in	23.2
	Tine Width (single tine)	mm	180.0
		in	7.1
	Tine Thickness	mm	90.0
		in	3.5
	Tine Capacity	kq	17800
		lbs	39231
	Operating Weight	kq	20216
		lbs	44555

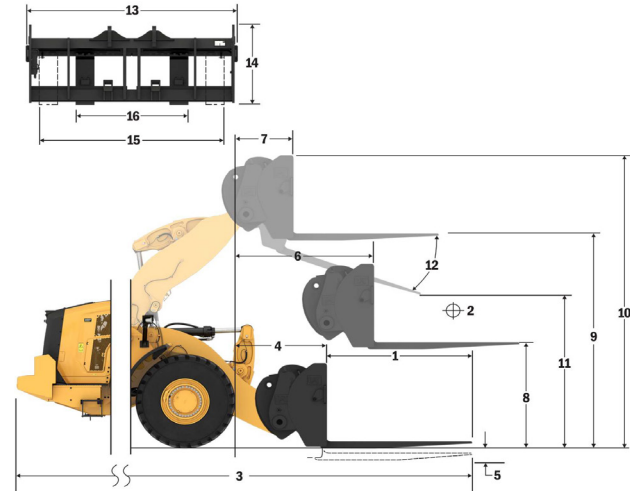
*Negative values indicate below grade

962 STD Construction Fork, FUSION

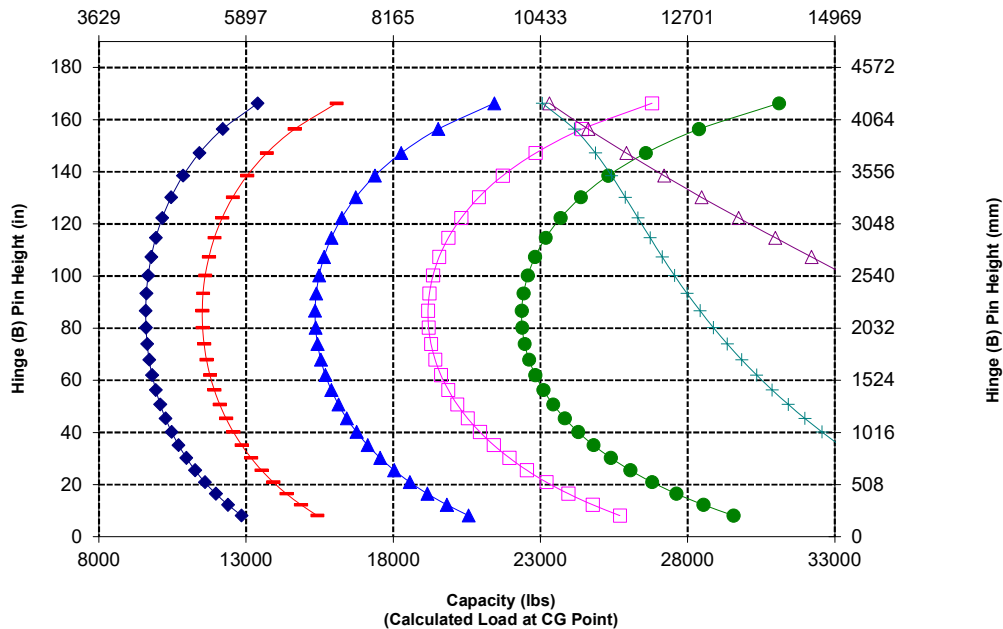
108" Carriage
520-7968

60" Tine
520-7980

*Build 14A
*Parallel Z-Bar Linkage
*Standard Lift Configuration



Capacity (kg)
(Calculated Load at CG Point)



NOTE: Static tipping loads and operating weight are based on the following loader configuration: Bridgestone VJTL3 Tires, Air Conditioning, Ride Control, Powertrain Guard, Full Fluids, Fuel Tank, Coolant, Lubricants, and Operator.

Specifications and ratings conform to the following standards: SAE* J1197, ISO 14397-1, CEN** EN 474-3.

The rated operating load for a loader equipped with a pallet fork is determined by:
SAE J1197: 50% of full turn static tipping load or hydraulic limit.
CEN EN 474-3: 60% of full turn static tipping load on rough terrain or hydraulic limit.
CEN EN 474-3: 80% of full turn static tipping load on firm and level ground or hydraulic limit.

*SAE - Society of Automotive Engineers
**CEN - European Committee for Standardization



WARNING: Do not exceed tine load capacity. Individual tine capacity is stamped on the side of each tine.

962 Wheel Loader Specifications

Fork Specifications

Fork Specifications

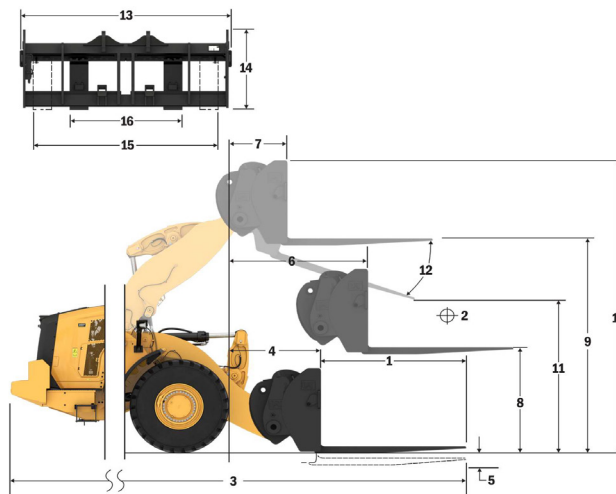
1	Tine Length	mm	1829
		in	72.0
2	Load Center	mm	93.5
		in	36.0
	Static Tipping Load - Straight (Forks Level)	kg	9648
		lbs	21264
	Static Tipping Load - Articulated (Forks Level)	kg	8265
		lbs	18217
	Rated Load (SAE J1197 - 50% FTSTL)	kg	4133
		lbs	9109
	Rated Load (CEN EN 474-3 Rough Terrain - 60% FTSTL)	kg	4959
		lbs	10930
	Rated Load (CEN EN 474-3 Firm and Level Ground - 80% FTSTL)	kg	6612
		lbs	14574
3	Maximum Overall Length	mm	9494
		in	373.8
4	Reach with Forks at Ground Level	mm	1333
		in	52.5
5	*Ground to Bottom of Tine at Minimum Height and Fork Level	mm	-81
		in	-3.2
6	Reach with Arms Horizontal and Forks Level	mm	1842
		in	72.5
7	Reach with Fork at Maximum Height	mm	963
		in	37.9
8	Ground to Top of Tine with Arms Horizontal and Fork Level	mm	1874
		in	73.8
9	Ground to Top of Tine at Maximum Height and Fork Level	mm	4026
		in	158.5
10	Overall Height of Fork at Full Lift (top of carriage to ground)	mm	5066
		in	199.5
11	Clearance at Full Lift and Max Dump	mm	2259
		in	88.9
12	Max Discharge Angle from Horizontal	deg	52
13	Overall Carriage Width	mm	2833
		in	111.5
14	Overall Carriage Height	mm	1130
		in	44.5
15	Outside Tine Width (max spread)	mm	2483
		in	97.8
16	Outside Tine Width (min spread)	mm	590
		in	23.2
	Tine Width (single tine)	mm	180.0
		in	7.1
	Tine Thickness	mm	90.0
		in	3.5
	Tine Capacity	kg	14800
		lbs	32619
	Operating Weight	kg	20278
		lbs	44692

*Negative values indicate below grade

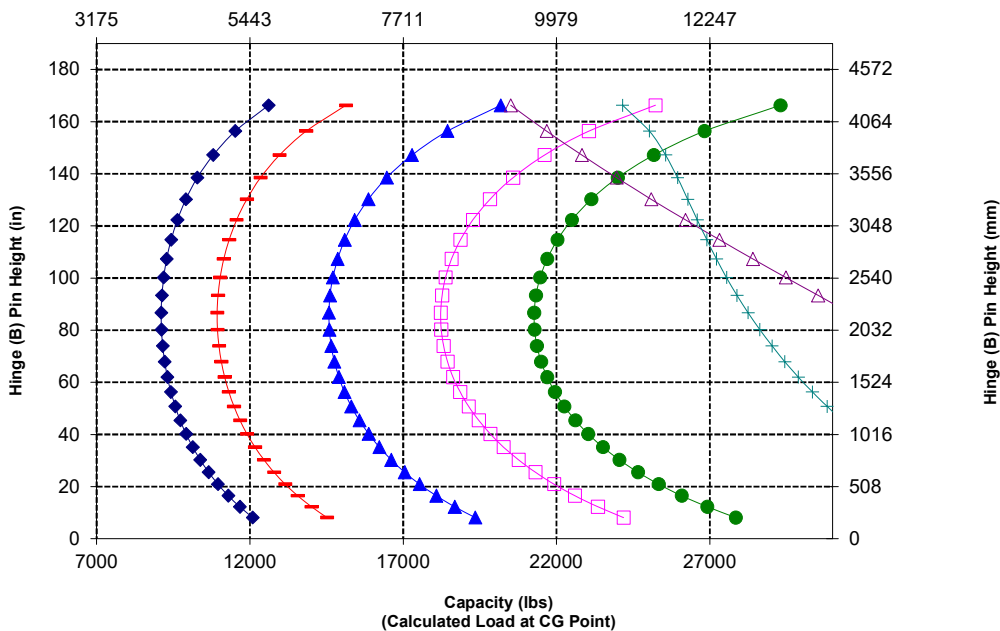
962 STD Construction Fork, FUSION

108" Carriage 72" Tine
520-7968 520-7979

*Build 14A
*Parallel Z-Bar Linkage
*Standard Lift Configuration



Capacity (kg)
(Calculated Load at CG Point)



WARNING: Do not exceed tine load capacity. Individual tine capacity is stamped on the side of each tine.

962 Wheel Loader Specifications

Fork Specifications

Fork Specifications

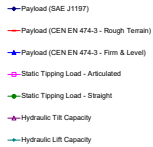
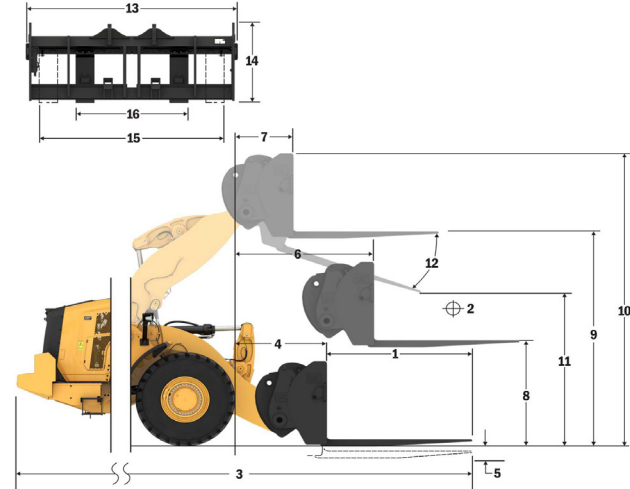
1	Tine Length	mm	2134
		in	84.0
2	Load Center	mm	1067
		in	42.0
	Static Tipping Load - Straight (Forks Level)	kq	9188
		lbs	20250
	Static Tipping Load - Articulated (Forks Level)	kq	7862
		lbs	17328
	Rated Load (SAE J1197 - 50% FTSTL)	kq	3931
		lbs	8664
	Rated Load (CEN EN 474-3 Rough Terrain - 60% FTSTL)	kq	4717
		lbs	10397
	Rated Load (CEN EN 474-3 Firm and Level Ground - 80% FTSTL)	kq	6290
		lbs	13862
3	Maximum Overall Length	mm	9799
		in	385.8
4	Reach with Forks at Ground Level	mm	1333
		in	52.5
5	*Ground to Bottom of Tine at Minimum Height and Fork Level	mm	-81
		in	-3.2
6	Reach with Arms Horizontal and Forks Level	mm	1842
		in	72.5
7	Reach with Fork at Maximum Height	mm	963
		in	37.9
8	Ground to Top of Tine with Arms Horizontal and Fork Level	mm	1874
		in	73.8
9	Ground to Top of Tine at Maximum Height and Fork Level	mm	4026
		in	158.5
10	Overall Height of Fork at Full Lift (top of carriage to ground)	mm	5066
		in	199.5
11	Clearance at Full Lift and Max Dump	mm	2019
		in	79.5
12	Max Discharge Angle from Horizontal	deg	52
13	Overall Carriage Width	mm	2833
		in	111.5
14	Overall Carriage Height	mm	1130
		in	44.5
15	Outside Tine Width (max spread)	mm	2483
		in	97.8
16	Outside Tine Width (min spread)	mm	590
		in	23.2
	Tine Width (single tine)	mm	180.0
		in	7.1
	Tine Thickness	mm	90.0
		in	3.5
	Tine Capacity	kq	12700
		lbs	27991
	Operating Weight	kq	20340
		lbs	44828

*Negative values indicate below grade

962 STD Construction Fork, FUSION

108" Carriage 84" Tine
520-7968 520-7986

*Build 14A
*Parallel Z-Bar Linkage
*Standard Lift Configuration

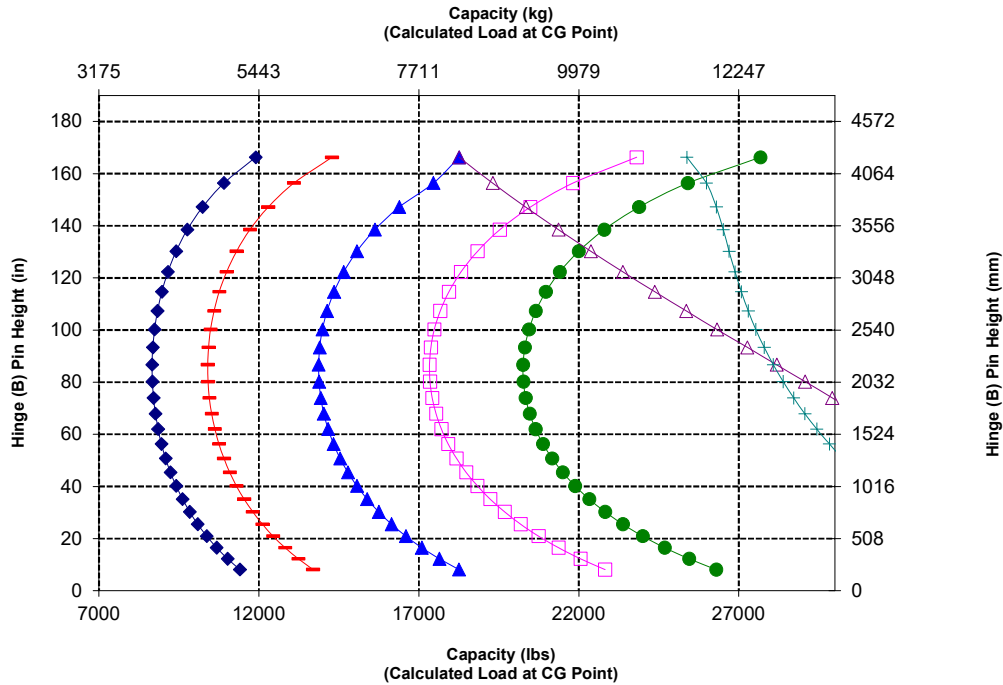


NOTE: Static tipping loads and operating weight are based on the following loader configuration: Bridgestone VJTL3 Tires, Air Conditioning, Ride Control, Powertrain Guard, Full Fluids, Fuel Tank, Coolant, Lubricants, and Operator.

Specifications and ratings conform to the following standards: SAE* J1197, ISO 14397-1, CEN** EN 474-3.

The rated operating load for a loader equipped with a pallet fork is determined by:
SAE J1197: 50% of full turn static tipping load or hydraulic limit.
CEN EN 474-3: 60% of full turn static tipping load on rough terrain or hydraulic limit.
CEN EN 474-3: 80% of full turn static tipping load on firm and level ground or hydraulic limit.

*SAE - Society of Automotive Engineers
**CEN - European Committee for Standardization



WARNING: Do not exceed tine load capacity. Individual tine capacity is stamped on the side of each tine.

Fork Specifications

Fork Specifications

1	Tine Length	mm	2438
		in	96.0
2	Load Center	mm	1219
		in	48.0
	Static Tipping Load - Straight (Forks Level)	kg	8760
		lbs	19307
	Static Tipping Load - Articulated (Forks Level)	kg	7486
		lbs	16498
	Rated Load (SAE J1197 - 50% FTSTL)	kg	3743
		lbs	8249
	Rated Load (CEN EN 474-3 Rough Terrain - 60% FTSTL)	kg	4491
		lbs	9899
	Rated Load (CEN EN 474-3 Firm and Level Ground - 80% FTSTL)	kg	5988
		lbs	13199
3	Maximum Overall Length	mm	10103
		in	397.7
4	Reach with Forks at Ground Level	mm	1333
		in	52.5
5	*Ground to Bottom of Tine at Minimum Height and Fork Level	mm	-81
		in	-3.2
6	Reach with Arms Horizontal and Forks Level	mm	1842
		in	72.5
7	Reach with Fork at Maximum Height	mm	963
		in	37.9
8	Ground to Top of Tine with Arms Horizontal and Fork Level	mm	1874
		in	73.8
9	Ground to Top of Tine at Maximum Height and Fork Level	mm	4026
		in	158.5
10	Overall Height of Fork at Full Lift (top of carriage to ground)	mm	5066
		in	199.5
11	Clearance at Full Lift and Max Dump	mm	1779
		in	70.0
12	Max Discharge Angle from Horizontal	deg	52
13	Overall Carriage Width	mm	2833
		in	111.5
14	Overall Carriage Height	mm	1130
		in	44.5
15	Outside Tine Width (max spread)	mm	2483
		in	97.8
16	Outside Tine Width (min spread)	mm	590
		in	23.2
	Tine Width (single tine)	mm	180.0
		in	7.1
	Tine Thickness	mm	90.0
		in	3.5
	Tine Capacity	kg	11300
		lbs	24905
	Operating Weight	kg	20403
		lbs	44967

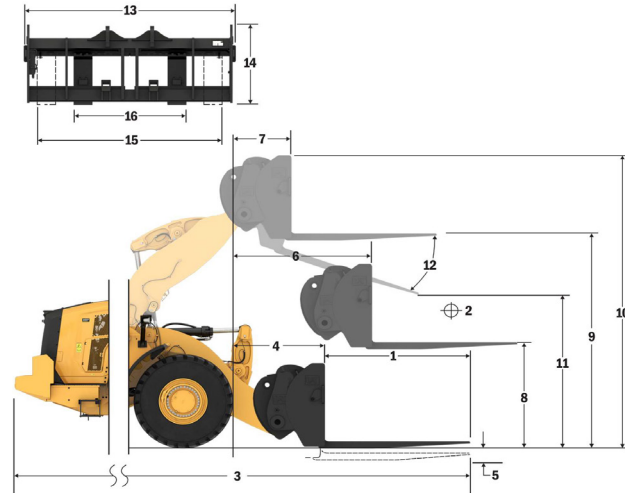
*Negative values indicate below grade

962 STD Construction Fork, FUSION

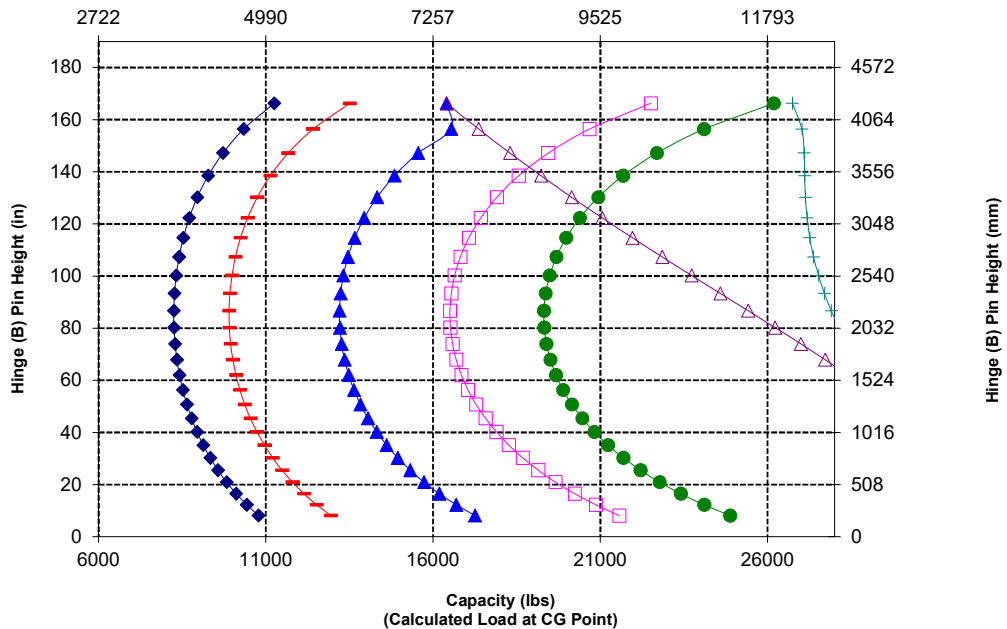
108" Carriage
520-7968

96" Tine
520-7981

*Build 14A
*Parallel Z-Bar Linkage
*Standard Lift Configuration



Capacity (kg)
(Calculated Load at CG Point)



NOTE: Static tipping loads and operating weight are based on the following loader configuration: Bridgestone VJL3 Tires, Air Conditioning, Ride Control, Powertrain Guard, Full Fluids, Fuel Tank, Coolant, Lubricants, and Operator.

Specifications and ratings conform to the following standards: SAE* J1197, ISO 14397-1, CEN** EN 474-3.

The rated operating load for a loader equipped with a pallet fork is determined by:
SAE J1197: 50% of full turn static tipping load or hydraulic limit.
CEN EN 474-3: 60% of full turn static tipping load on rough terrain or hydraulic limit.
CEN EN 474-3: 80% of full turn static tipping load on firm and level ground or hydraulic limit.

*SAE - Society of Automotive Engineers
**CEN - European Committee for Standardization



WARNING: Do not exceed tine load capacity. Individual tine capacity is stamped on the side of each tine.

962 Wheel Loader Specifications

Material Handling Arm Specifications

Construction Fork, FUSION

962 STD

289-9885

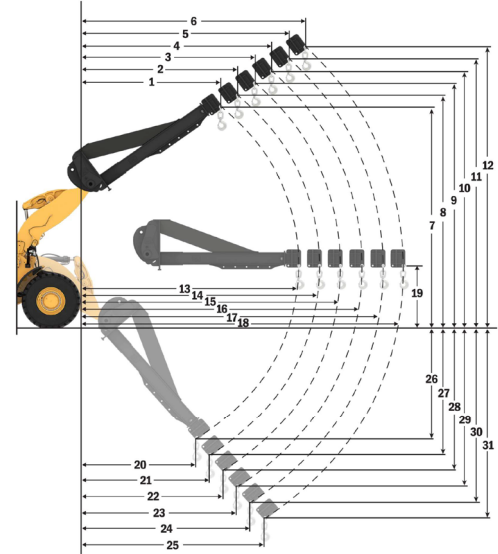
Material Handling Arm, FUSION

6 Position

MHA Specifications

	Retracted	Extension 1	Extension 2	Extension 3	Extension 4	Extended	
Max Lift - Hook Eyelet Reach (1, 2, 3, 4, 5, 6)	mm ft, in	2,386 7' 9"	2,539 8' 3"	2,692 8' 9"	2,845 9' 4"	2,998 9' 10"	3,151 10' 4"
Max Lift - Hook Eyelet Height (7, 8, 9, 10, 11, 12)	mm ft, in	6,963 22' 10"	7,226 23' 8"	7,490 24' 6"	7,754 25' 5"	8,017 26' 3"	8,281 27' 2"
Level - Hook Eyelet Reach (13, 14, 15, 16, 17, 18)	mm ft, in	4,708 15' 5"	5,013 16' 5"	5,317 17' 5"	5,622 18' 5"	5,927 19' 5"	6,232 20' 5"
Level - Hook Eyelet Height (19)	mm ft, in	1,839 6' 0.3"	1,839 6' 0.3"	1,839 6' 0.3"	1,839 6' 0.3"	1,839 6' 0.3"	1,839 6' 0.3"
Min Lift - Hook Eyelet Reach (20, 21, 22, 23, 24, 25)	mm ft, in	2,511 8' 2"	2,688 8' 9"	2,866 9' 4"	3,043 9' 11"	3,221 10' 6"	3,399 11' 1"
Min Lift - Hook Eyelet Height (26, 27, 28, 29, 30, 31)	mm ft, in	(2,614) -8' 5"	(2,862) -9' 7"	(3,109) -10' 9"	(3,357) -11' 11"	(3,605) -11' 2"	(3,852) -12' 4"
Static Tipping Load, Straight	kg lb	6,554 14,446	6,205 13,675	5,890 12,981	5,604 12,351	5,344 11,779	5,107 11,255
Static Tipping Load, Articulated	kg lb	5,665 12,485	5,362 11,817	5,088 11,215	4,841 10,669	4,616 10,173	4,410 9,719
Operating Weight	kg lb	19,550 43,087	19,550 43,087	19,550 43,087	19,550 43,087	19,550 43,087	19,550 43,087

*Build 14A
*Parallel Z-Bar Linkage
*Standard Lift Configuration



- ◆ Retracted
- ◆ Extension 1
- ◆ Extension 2
- ◆ Extension 3
- ◆ Extension 4
- ◆ Extended

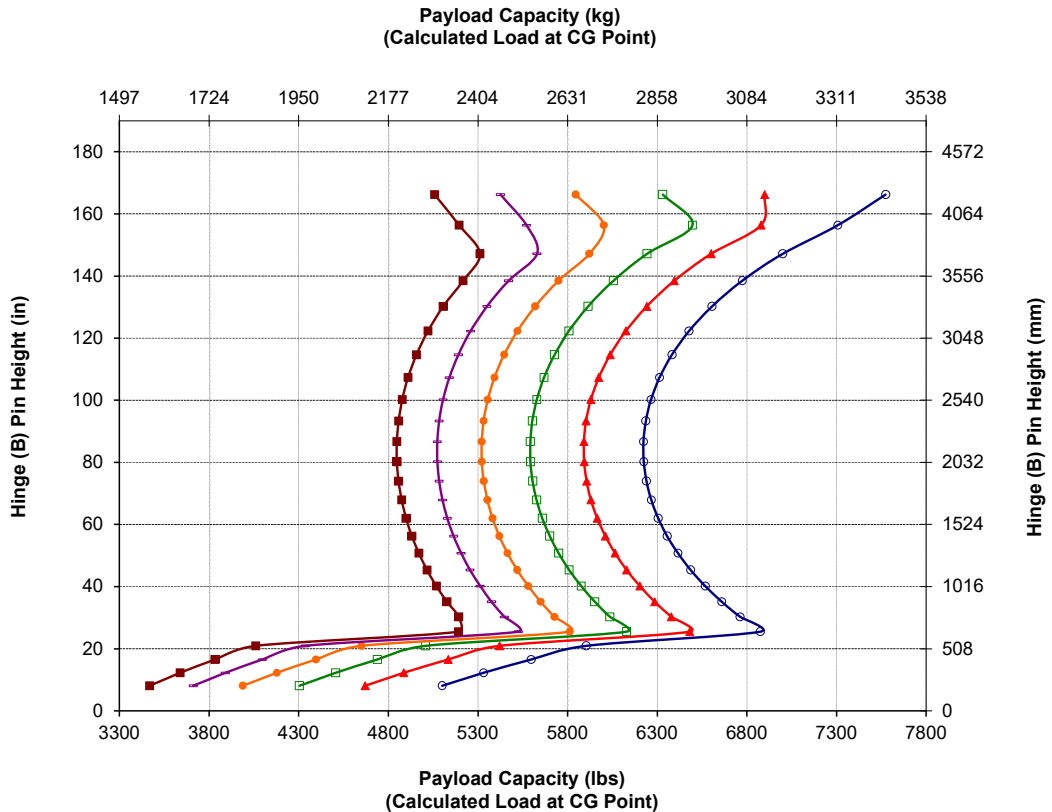
NOTE: Static tipping loads and operating weight are based on the following loader configuration: Bridgestone VJT L3 Tires, Air Conditioning, Ride Control, Powertrain Guard, Full Fluids, Fuel Tank, Coolant, Lubricants, and Operator.

Specifications and ratings conform to the following standards: SAE* J1197, ISO 14397-1

The rated operating load for a loader equipped with a material handling arm is determined by:

SAE J1197: 50% of full turn static tipping load or hydraulic limit.

*SAE - Society of Automotive Engineers



962 Wheel Loader Specifications

Fork Specifications

Fork Specifications

1	Tine Length	mm	1524
		in	60.0
2	Load Center	mm	762
		in	30.0
	Static Tipping Load - Straight (Forks Level)	kq	10229
		lbs	22546
	Static Tipping Load - Articulated (Forks Level)	kq	8766
		lbs	19320
	Rated Load (SAE J1197 - 50% FTSTL)	kq	4383
		lbs	9660
	Rated Load (CEN EN 474-3 Rough Terrain - 60% FTSTL)	kq	5259
		lbs	11592
	Rated Load (CEN EN 474-3 Firm and Level Ground - 80% FTSTL)	kq	7013
		lbs	15456
3	Maximum Overall Length	mm	9617
		in	378.6
4	Reach with Forks at Ground Level	mm	1699
		in	66.9
5	*Ground to Bottom of Tine at Minimum Height and Fork Level	mm	-167
		in	-6.6
6	Reach with Arms Horizontal and Forks Level	mm	2127
		in	83.7
7	Reach with Fork at Maximum Height	mm	1072
		in	42.2
8	Ground to Top of Tine with Arms Horizontal and Fork Level	mm	1769
		in	69.6
9	Ground to Top of Tine at Maximum Height and Fork Level	mm	4209
		in	165.7
10	Overall Height of Fork at Full Lift (top of carriage to ground)	mm	4984
		in	196.2
11	Clearance at Full Lift and Max Dump	mm	2884
		in	113.5
12	Max Discharge Angle from Horizontal	deg	44
13	Overall Carriage Width	mm	2217
		in	87.3
14	Overall Carriage Height	mm	840
		in	33.1
15	Outside Tine Width (max spread)	mm	2070
		in	81.5
16	Outside Tine Width (min spread)	mm	470
		in	18.5
	Tine Width (single tine)	mm	150.0
		in	5.9
	Tine Thickness	mm	65.0
		in	2.6
	Tine Capacity	kq	6300
		lbs	13885
	Operating Weight	kq	20463
		lbs	45101

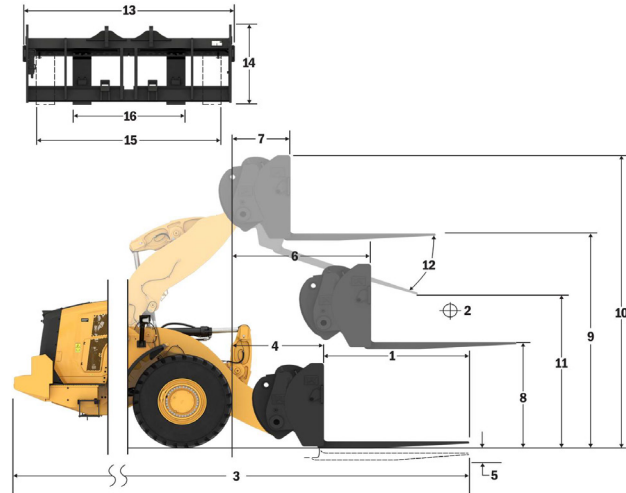
*Negative values indicate below grade

962 HL Pallet Fork, FUSION

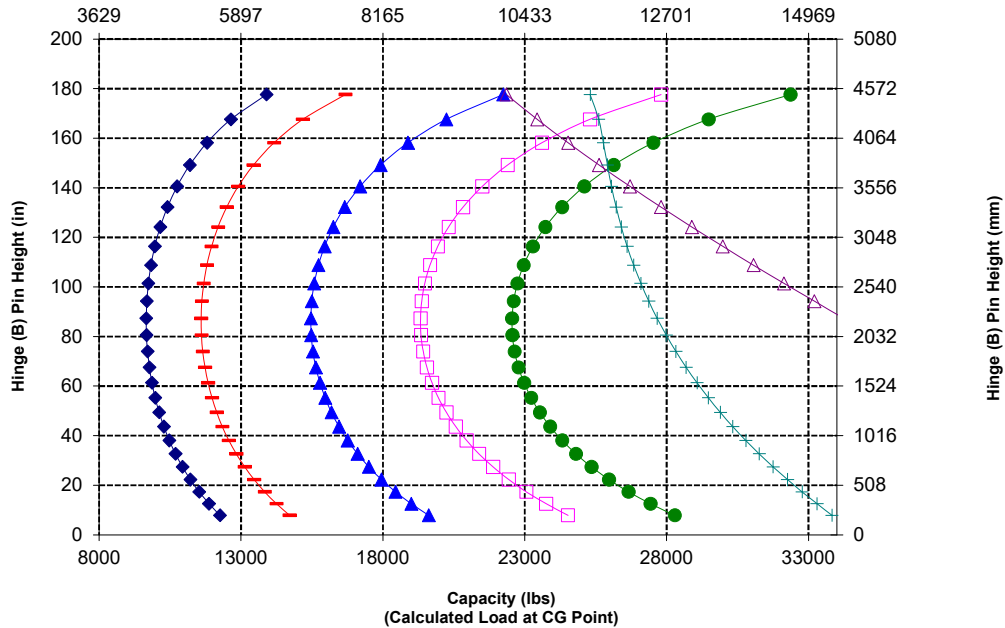
87" Carriage
530-1861

60" Tine
548-3265

*Build 14A
*Parallel Z-Bar Linkage
*High Lift Configuration



Capacity (kg)
(Calculated Load at CG Point)



NOTE: Static tipping loads and operating weight are based on the following loader configuration: Bridgestone VJTL3 Tires, Air Conditioning, Ride Control, Powertrain Guard, Full Fluids, Fuel Tank, Coolant, Lubricants, and Operator.

Specifications and ratings conform to the following standards: SAE* J1197, ISO 14397-1, CEN** EN 474-3.

The rated operating load for a loader equipped with a pallet fork is determined by:
SAE J1197: 50% of full turn static tipping load or hydraulic limit.
CEN EN 474-3: 60% of full turn static tipping load on rough terrain or hydraulic limit.
CEN EN 474-3: 80% of full turn static tipping load on firm and level ground or hydraulic limit.

*SAE - Society of Automotive Engineers
**CEN - European Committee for Standardization



WARNING: Do not exceed tine load capacity. Individual tine capacity is stamped on the side of each tine.

962 Wheel Loader Specifications

Fork Specifications

Fork Specifications

1	Tine Length	mm	1830
		in	72.0
2	Load Center	mm	915
		in	36.0
	Static Tipping Load - Straight (Forks Level)	kg	9779
		lbs	21554
	Static Tipping Load - Articulated (Forks Level)	kg	8373
		lbs	18455
	Rated Load (SAE J1197 - 50% FTSTL)	kg	4187
		lbs	9228
	Rated Load (CEN EN 474-3 Rough Terrain - 60% FTSTL)	kg	5024
		lbs	11073
	Rated Load (CEN EN 474-3 Firm and Level Ground - 80% FTSTL)	kg	6699
		lbs	14764
3	Maximum Overall Length	mm	9923
		in	390.7
4	Reach with Forks at Ground Level	mm	1699
		in	66.9
5	*Ground to Bottom of Tine at Minimum Height and Fork Level	mm	-167
		in	-6.6
6	Reach with Arms Horizontal and Forks Level	mm	2127
		in	83.7
7	Reach with Fork at Maximum Height	mm	1072
		in	42.2
8	Ground to Top of Tine with Arms Horizontal and Fork Level	mm	1769
		in	69.6
9	Ground to Top of Tine at Maximum Height and Fork Level	mm	4209
		in	165.7
10	Overall Height of Fork at Full Lift (top of carriage to ground)	mm	4984
		in	196.2
11	Clearance at Full Lift and Max Dump	mm	2672
		in	105.2
12	Max Discharge Angle from Horizontal	deg	44
13	Overall Carriage Width	mm	2217
		in	87.3
14	Overall Carriage Height	mm	840
		in	33.1
15	Outside Tine Width (max spread)	mm	2070
		in	81.5
16	Outside Tine Width (min spread)	mm	470
		in	18.5
	Tine Width (single tine)	mm	150.0
		in	5.9
	Tine Thickness	mm	65.0
		in	2.6
	Tine Capacity	kg	5246
		lbs	11562
	Operating Weight	kg	20510
		lbs	45204

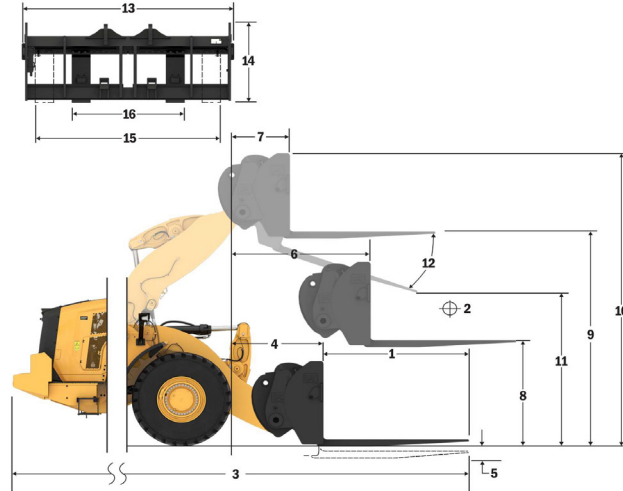
*Negative values indicate below grade

962 HL Pallet Fork, FUSION

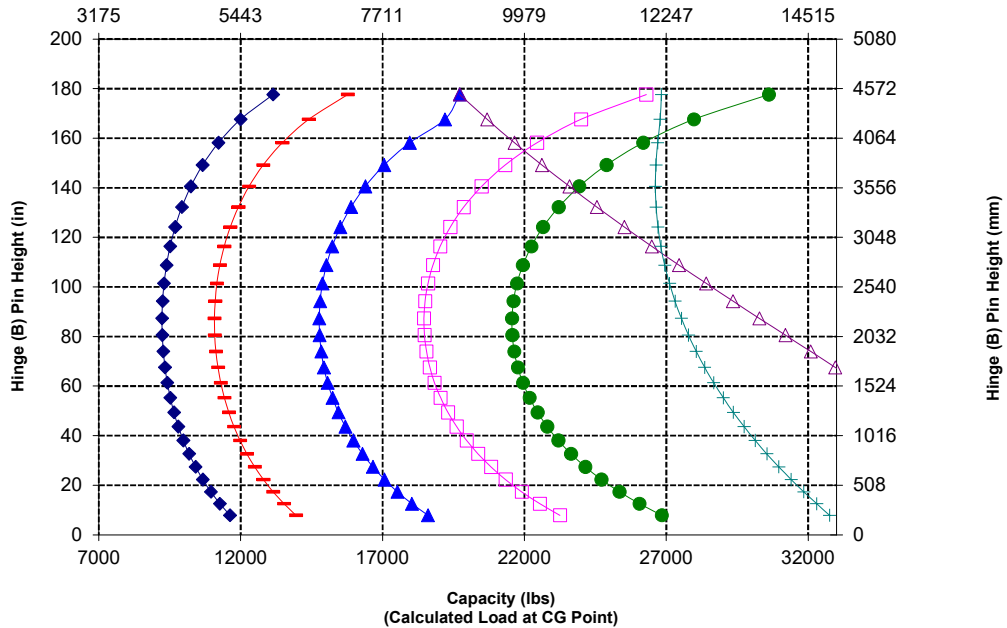
87" Carriage
530-1861

72" Tine
530-1869

*Build 14A
*Parallel Z-Bar Linkage
*High Lift Configuration



Capacity (kg)
(Calculated Load at CG Point)



NOTE: Static tipping loads and operating weight are based on the following loader configuration: Bridgestone VJT L3 Tires, Air Conditioning, Ride Control, Powertrain Guard, Full Fluids, Fuel Tank, Coolant, Lubricants, and Operator.

Specifications and ratings conform to the following standards: SAE* J1197, ISO 14397-1, CEN** EN 474-3.

The rated operating load for a loader equipped with a pallet fork is determined by:
SAE J1197: 50% of full turn static tipping load or hydraulic limit.
CEN EN 474-3: 60% of full turn static tipping load on rough terrain or hydraulic limit.
CEN EN 474-3: 80% of full turn static tipping load on firm and level ground or hydraulic limit.

*SAE - Society of Automotive Engineers
**CEN - European Committee for Standardization



WARNING: Do not exceed tine load capacity. Individual tine capacity is stamped on the side of each tine.

962 Wheel Loader Specifications

Fork Specifications

Fork Specifications

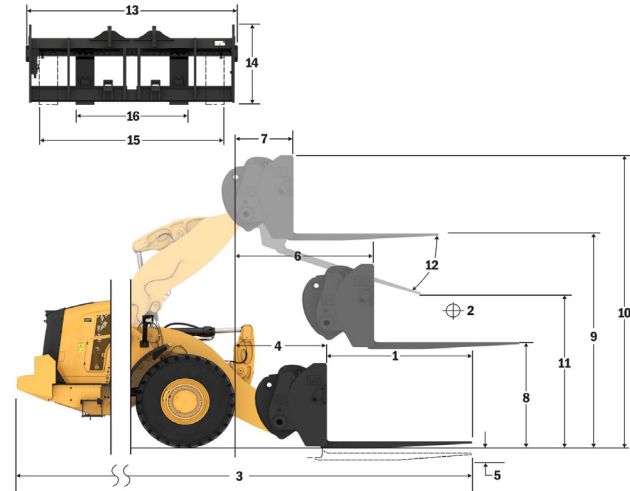
1	Tine Length	mm	1219
		in	48.0
2	Load Center	mm	610
		in	24.0
	Static Tipping Load - Straight (Forks Level)	kq	10444
		lbs	23019
	Static Tipping Load - Articulated (Forks Level)	kq	8915
		lbs	19648
	Rated Load (SAE J1197 - 50% FTSTL)	kq	4457
		lbs	9824
	Rated Load (CEN EN 474-3 Rough Terrain - 60% FTSTL)	kq	5349
		lbs	11789
	Rated Load (CEN EN 474-3 Firm and Level Ground - 80% FTSTL)	kq	7132
		lbs	15718
3	Maximum Overall Length	mm	9272
		in	365.0
4	Reach with Forks at Ground Level	mm	1659
		in	65.3
5	*Ground to Bottom of Tine at Minimum Height and Fork Level	mm	-86
		in	-3.4
6	Reach with Arms Horizontal and Forks Level	mm	2119
		in	83.4
7	Reach with Fork at Maximum Height	mm	1064
		in	41.9
8	Ground to Top of Tine with Arms Horizontal and Fork Level	mm	1874
		in	73.8
9	Ground to Top of Tine at Maximum Height and Fork Level	mm	4315
		in	169.9
10	Overall Height of Fork at Full Lift (top of carriage to ground)	mm	5355
		in	210.8
11	Clearance at Full Lift and Max Dump	mm	3057
		in	120.4
12	Max Discharge Angle from Horizontal	deg	50
13	Overall Carriage Width	mm	2528
		in	99.5
14	Overall Carriage Height	mm	1130
		in	44.5
15	Outside Tine Width (max spread)	mm	2178
		in	85.7
16	Outside Tine Width (min spread)	mm	576
		in	22.7
	Tine Width (single tine)	mm	180.0
		in	7.1
	Tine Thickness	mm	90.0
		in	3.5
	Tine Capacity	kq	22200
		lbs	48929
	Operating Weight	kq	20772
		lbs	45782

*Negative values indicate below grade

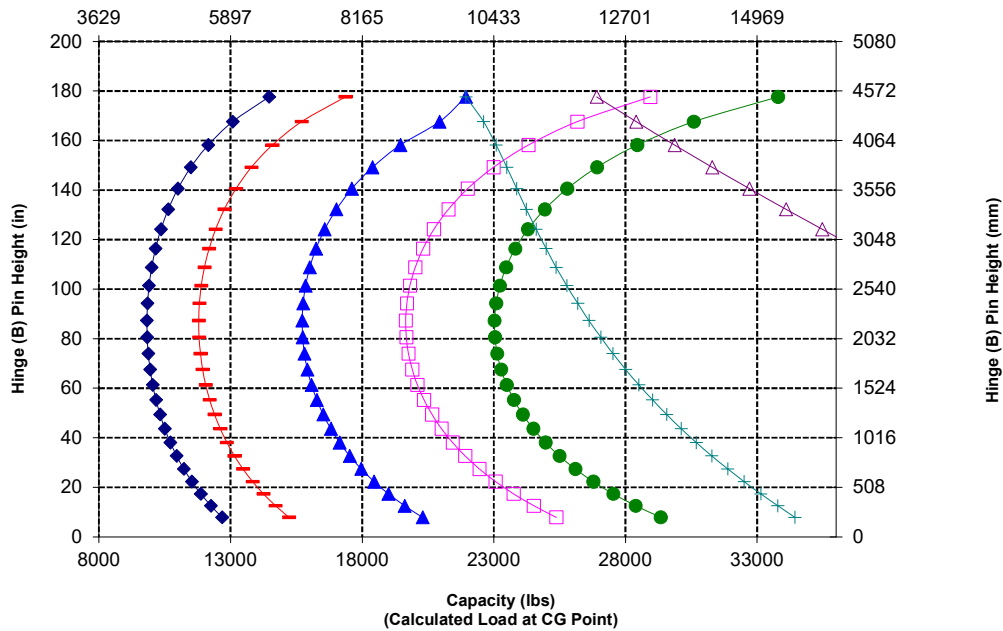
962 HL Construction Fork, FUSION

96" Carriage 48" Tine
520-7957 520-7985

*Build 14A
*Parallel Z-Bar Linkage
*High Lift Configuration



Capacity (kg)
(Calculated Load at CG Point)



WARNING: Do not exceed tine load capacity. Individual tine capacity is stamped on the side of each tine.

962 Wheel Loader Specifications

Fork Specifications

Fork Specifications

1	Tine Length	mm	1524
		in	60.0
2	Load Center	mm	762
		in	30.0
	Static Tipping Load - Straight (Forks Level)	kg	9951
		lbs	21931
	Static Tipping Load - Articulated (Forks Level)	kg	8483
		lbs	18697
	Rated Load (SAE J1197 - 50% FTSTL)	kg	4242
		lbs	9349
	Rated Load (CEN EN 474-3 Rough Terrain - 60% FTSTL)	kg	5090
		lbs	11218
	Rated Load (CEN EN 474-3 Firm and Level Ground - 80% FTSTL)	kg	6787
		lbs	14958
3	Maximum Overall Length	mm	9577
		in	377.1
4	Reach with Forks at Ground Level	mm	1659
		in	65.3
5	*Ground to Bottom of Tine at Minimum Height and Fork Level	mm	-86
		in	-3.4
6	Reach with Arms Horizontal and Forks Level	mm	2119
		in	83.4
7	Reach with Fork at Maximum Height	mm	1064
		in	41.9
8	Ground to Top of Tine with Arms Horizontal and Fork Level	mm	1874
		in	73.8
9	Ground to Top of Tine at Maximum Height and Fork Level	mm	4315
		in	169.9
10	Overall Height of Fork at Full Lift (top of carriage to ground)	mm	5355
		in	210.8
11	Clearance at Full Lift and Max Dump	mm	2823
		in	111.1
12	Max Discharge Angle from Horizontal	deg	50
13	Overall Carriage Width	mm	2528
		in	99.5
14	Overall Carriage Height	mm	1130
		in	44.5
15	Outside Tine Width (max spread)	mm	2178
		in	85.7
16	Outside Tine Width (min spread)	mm	576
		in	22.7
	Tine Width (single tine)	mm	180.0
		in	7.1
	Tine Thickness	mm	90.0
		in	3.5
	Tine Capacity	kg	17800
		lbs	39231
	Operating Weight	kg	20838
		lbs	45927

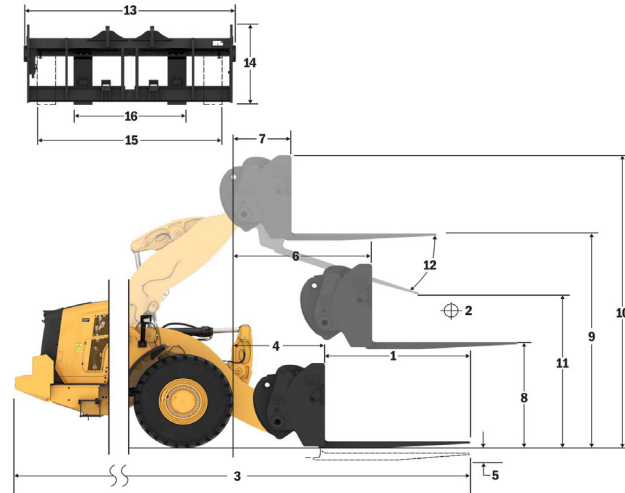
*Negative values indicate below grade

962 HL Construction Fork, FUSION

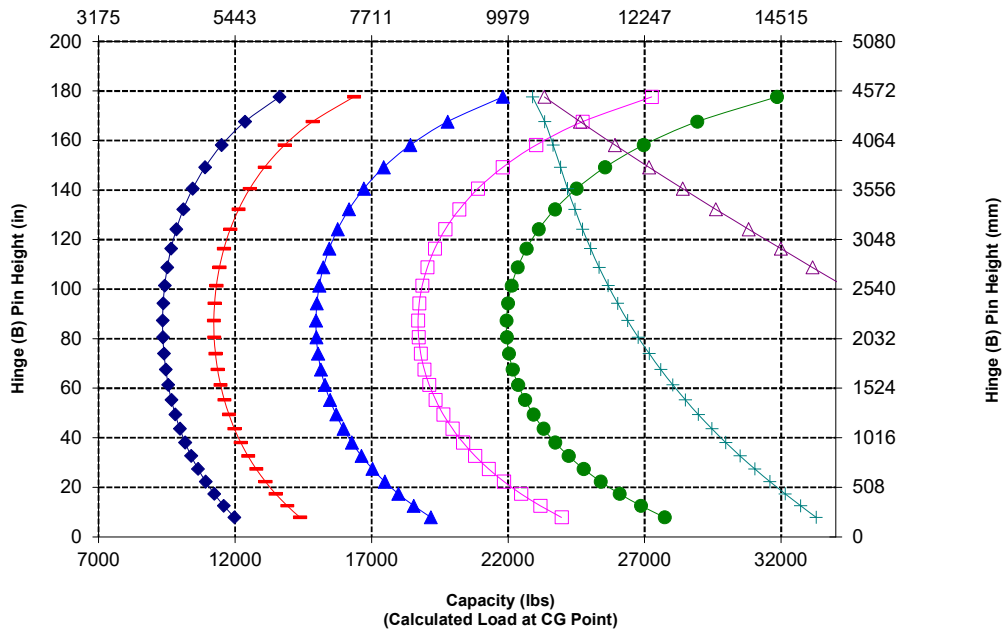
96" Carriage
520-7957

60" Tine
520-7980

*Build 14A
*Parallel Z-Bar Linkage
*High Lift Configuration



Capacity (kg)
(Calculated Load at CG Point)



WARNING: Do not exceed tine load capacity. Individual tine capacity is stamped on the side of each tine.

962 Wheel Loader Specifications

Fork Specifications

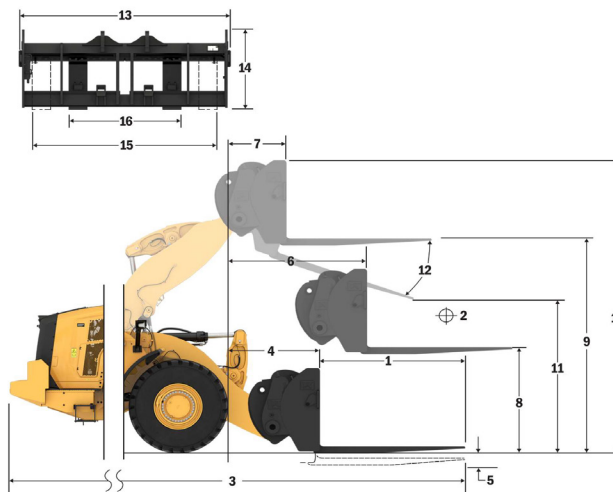
Fork Specifications

1	Tine Length	mm	1829
		in	72.0
2	Load Center	mm	915
		in	36.0
	Static Tipping Load - Straight (Forks Level)	kq	9495
		lbs	20926
	Static Tipping Load - Articulated (Forks Level)	kq	8085
		lbs	17819
	Rated Load (SAE J1197 - 50% FTSTL)	kq	4043
		lbs	8910
	Rated Load (CEN EN 474-3 Rough Terrain - 60% FTSTL)	kq	4851
		lbs	10692
	Rated Load (CEN EN 474-3 Firm and Level Ground - 80% FTSTL)	kq	6468
		lbs	14256
3	Maximum Overall Length	mm	9882
		in	389.1
4	Reach with Forks at Ground Level	mm	1659
		in	65.3
5	*Ground to Bottom of Tine at Minimum Height and Fork Level	mm	-86
		in	-3.4
6	Reach with Arms Horizontal and Forks Level	mm	2119
		in	83.4
7	Reach with Fork at Maximum Height	mm	1064
		in	41.9
8	Ground to Top of Tine with Arms Horizontal and Fork Level	mm	1874
		in	73.8
9	Ground to Top of Tine at Maximum Height and Fork Level	mm	4315
		in	169.9
10	Overall Height of Fork at Full Lift (top of carriage to ground)	mm	5355
		in	210.8
11	Clearance at Full Lift and Max Dump	mm	2589
		in	101.9
12	Max Discharge Angle from Horizontal	deg	50
13	Overall Carriage Width	mm	2528
		in	99.5
14	Overall Carriage Height	mm	1130
		in	44.5
15	Outside Tine Width (max spread)	mm	2178
		in	85.7
16	Outside Tine Width (min spread)	mm	576
		in	22.7
	Tine Width (single tine)	mm	180.0
		in	7.1
	Tine Thickness	mm	90.0
		in	3.5
	Tine Capacity	kq	14800
		lbs	32619
	Operating Weight	kq	20899
		lbs	46061

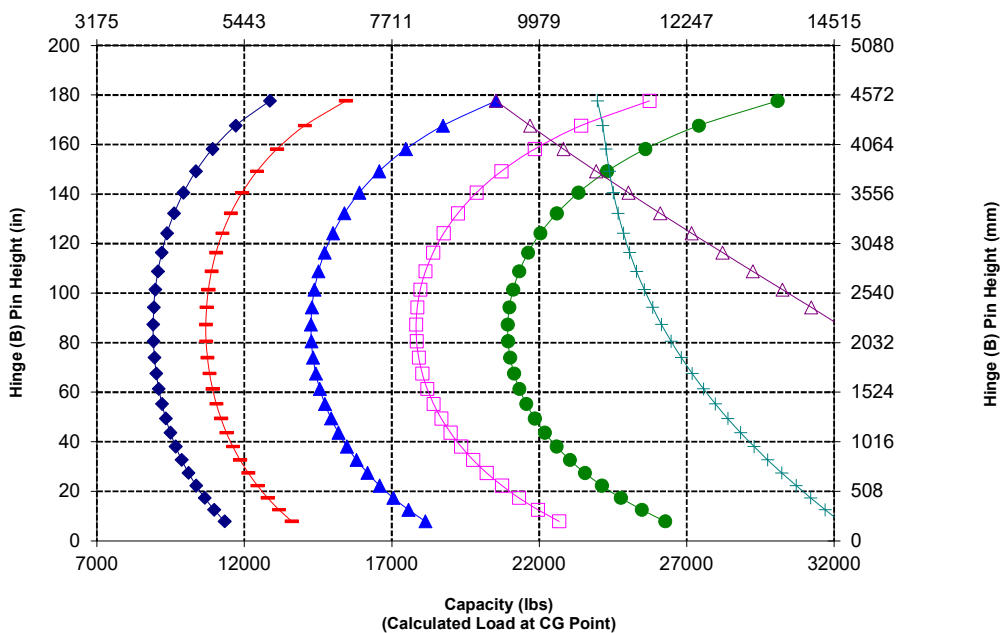
*Negative values indicate below grade

962 HL Construction Fork, FUSION 96" Carriage 72" Tine 520-7957 520-7979

*Build 14A
*Parallel Z-Bar Linkage
*High Lift Configuration



Capacity (kg)
(Calculated Load at CG Point)



NOTE: Static tipping loads and operating weight are based on the following loader configuration: Bridgestone VJTL3 Tires, Air Conditioning, Ride Control, Powertrain Guard, Full Fluids, Fuel Tank, Coolant, Lubricants, and Operator.

Specifications and ratings conform to the following standards: SAE* J1197, ISO 14397-1, CEN** EN 474-3.

The rated operating load for a loader equipped with a pallet fork is determined by:
SAE J1197: 50% of full turn static tipping load or hydraulic limit.
CEN EN 474-3: 60% of full turn static tipping load on rough terrain or hydraulic limit.
CEN EN 474-3: 80% of full turn static tipping load on firm and level ground or hydraulic limit.

*SAE - Society of Automotive Engineers
**CEN - European Committee for Standardization



WARNING: Do not exceed tine load capacity. Individual tine capacity is stamped on the side of each tine.

962 Wheel Loader Specifications

Fork Specifications

Fork Specifications

1	Tine Length	mm	2134
		in	84.0
2	Load Center	mm	1067
		in	42.0
	Static Tipping Load - Straight (Forks Level)	kq	9067
		lbs	19984
	Static Tipping Load - Articulated (Forks Level)	kq	7711
		lbs	16994
	Rated Load (SAE J1197 - 50% FTSTL)	kq	3855
		lbs	8497
	Rated Load (CEN EN 474-3 Rough Terrain - 60% FTSTL)	kq	4626
		lbs	10197
	Rated Load (CEN EN 474-3 Firm and Level Ground - 80% FTSTL)	kq	6169
		lbs	13595
3	Maximum Overall Length	mm	10187
		in	401.1
4	Reach with Forks at Ground Level	mm	1659
		in	65.3
5	*Ground to Bottom of Tine at Minimum Height and Fork Level	mm	-86
		in	-3.4
6	Reach with Arms Horizontal and Forks Level	mm	2119
		in	83.4
7	Reach with Fork at Maximum Height	mm	1064
		in	41.9
8	Ground to Top of Tine with Arms Horizontal and Fork Level	mm	1874
		in	73.8
9	Ground to Top of Tine at Maximum Height and Fork Level	mm	4315
		in	169.9
10	Overall Height of Fork at Full Lift (top of carriage to ground)	mm	5355
		in	210.8
11	Clearance at Full Lift and Max Dump	mm	2355
		in	92.7
12	Max Discharge Angle from Horizontal	deg	50
13	Overall Carriage Width	mm	2528
		in	99.5
14	Overall Carriage Height	mm	1130
		in	44.5
15	Outside Tine Width (max spread)	mm	2178
		in	85.7
16	Outside Tine Width (min spread)	mm	576
		in	22.7
	Tine Width (single tine)	mm	180.0
		in	7.1
	Tine Thickness	mm	90.0
		in	3.5
	Tine Capacity	kq	12700
		lbs	27991
	Operating Weight	kq	20962
		lbs	46200

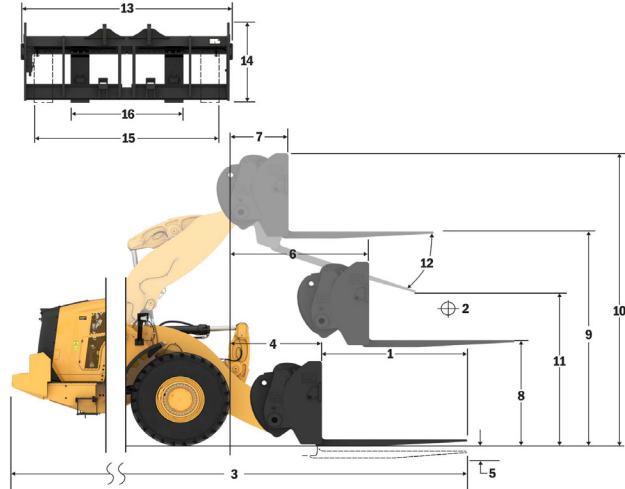
*Negative values indicate below grade

962 HL Construction Fork, FUSION

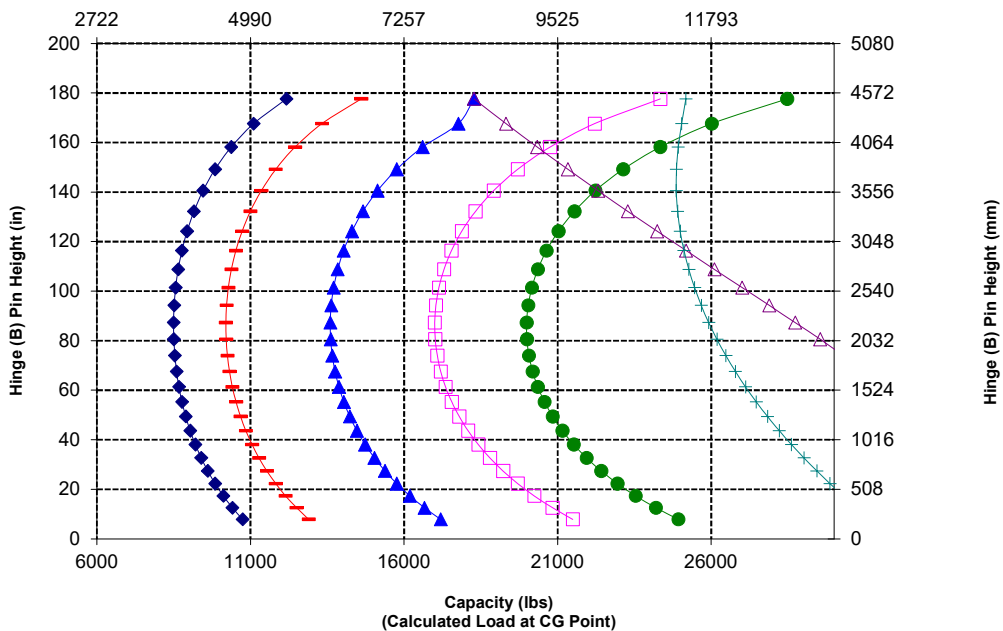
96" Carriage
520-7957

84" Tine
520-7986

*Build 14A
*Parallel Z-Bar Linkage
*High Lift Configuration



Capacity (kg)
(Calculated Load at CG Point)



NOTE: Static tipping loads and operating weight are based on the following loader configuration: Bridgestone VJTL3 Tires, Air Conditioning, Ride Control, Powertrain Guard, Full Fluids, Fuel Tank, Coolant, Lubricants, and Operator.

Specifications and ratings conform to the following standards: SAE* J1197, ISO 14397-1, CEN** EN 474-3.

The rated operating load for a loader equipped with a pallet fork is determined by:
SAE J1197: 50% of full turn static tipping load or hydraulic limit.
CEN EN 474-3: 60% of full turn static tipping load on rough terrain or hydraulic limit.
CEN EN 474-3: 80% of full turn static tipping load on firm and level ground or hydraulic limit.

*SAE - Society of Automotive Engineers
**CEN - European Committee for Standardization



WARNING: Do not exceed tine load capacity. Individual tine capacity is stamped on the side of each tine.

962 Wheel Loader Specifications

Fork Specifications

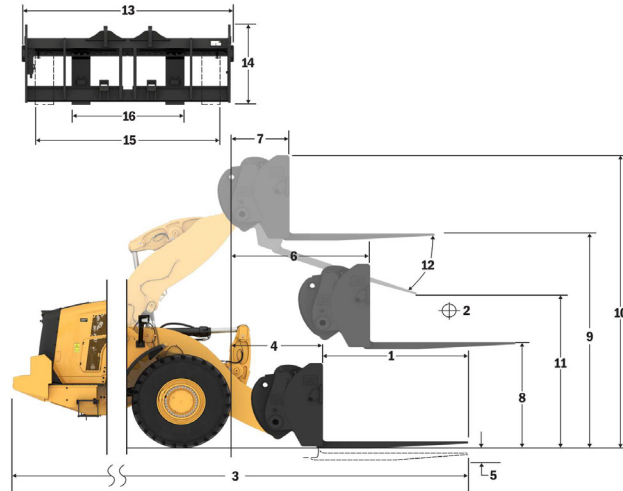
Fork Specifications

1	Tine Length	mm	2438
		in	96.0
2	Load Center	mm	1219
		in	48.0
	Static Tipping Load - Straight (Forks Level)	kg	8668
		lbs	19105
	Static Tipping Load - Articulated (Forks Level)	kg	7361
		lbs	16225
	Rated Load (SAE J1197 - 50% FTSTL)	kg	3681
		lbs	8112
	Rated Load (CEN EN 474-3 Rough Terrain - 60% FTSTL)	kg	4417
		lbs	9735
	Rated Load (CEN EN 474-3 Firm and Level Ground - 80% FTSTL)	kg	5889
		lbs	12980
3	Maximum Overall Length	mm	10491
		in	413.0
4	Reach with Forks at Ground Level	mm	1659
		in	65.3
5	*Ground to Bottom of Tine at Minimum Height and Fork Level	mm	-86
		in	-3.4
6	Reach with Arms Horizontal and Forks Level	mm	2119
		in	83.4
7	Reach with Fork at Maximum Height	mm	1064
		in	41.9
8	Ground to Top of Tine with Arms Horizontal and Fork Level	mm	1874
		in	73.8
9	Ground to Top of Tine at Maximum Height and Fork Level	mm	4315
		in	169.9
10	Overall Height of Fork at Full Lift (top of carriage to ground)	mm	5355
		in	210.8
11	Clearance at Full Lift and Max Dump	mm	2122
		in	83.5
12	Max Discharge Angle from Horizontal	deg	50
13	Overall Carriage Width	mm	2528
		in	99.5
14	Overall Carriage Height	mm	1130
		in	44.5
15	Outside Tine Width (max spread)	mm	2178
		in	85.7
16	Outside Tine Width (min spread)	mm	576
		in	22.7
	Tine Width (single tine)	mm	180.0
		in	7.1
	Tine Thickness	mm	90.0
		in	3.5
	Tine Capacity	kg	11300
		lbs	24905
	Operating Weight	kg	21024
		lbs	46337

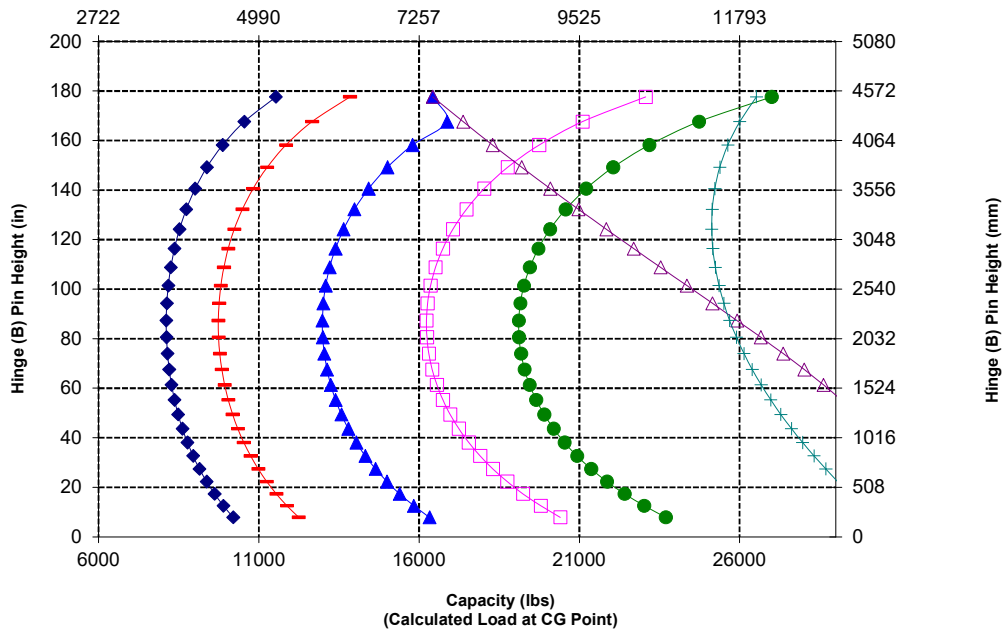
*Negative values indicate below grade

962 HL Construction Fork, FUSION 96" Carriage 520-7957 96" Tine 520-7981

*Build 14A
*Parallel Z-Bar Linkage
*High Lift Configuration



Capacity (kg)
(Calculated Load at CG Point)



WARNING: Do not exceed tine load capacity. Individual tine capacity is stamped on the side of each tine.

962 Wheel Loader Specifications

Fork Specifications

Fork Specifications

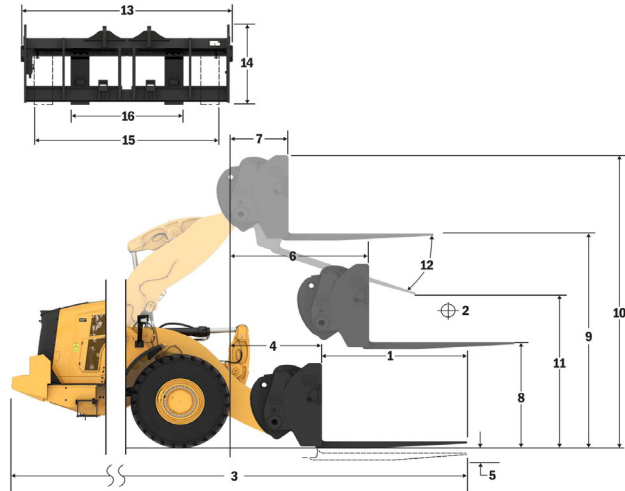
1	Tine Length	mm	1219
		in	48.0
2	Load Center	mm	610
		in	24.0
	Static Tipping Load - Straight (Forks Level)	kq	10403
		lbs	22927
	Static Tipping Load - Articulated (Forks Level)	kq	8873
		lbs	19556
	Rated Load (SAE J1197 - 50% FTSTL)	kq	4436
		lbs	9778
	Rated Load (CEN EN 474-3 Rough Terrain - 60% FTSTL)	kq	5324
		lbs	11733
	Rated Load (CEN EN 474-3 Firm and Level Ground - 80% FTSTL)	kq	7098
		lbs	15644
3	Maximum Overall Length	mm	9272
		in	365.0
4	Reach with Forks at Ground Level	mm	1659
		in	65.3
5	*Ground to Bottom of Tine at Minimum Height and Fork Level	mm	-86
		in	-3.4
6	Reach with Arms Horizontal and Forks Level	mm	2119
		in	83.4
7	Reach with Fork at Maximum Height	mm	1064
		in	41.9
8	Ground to Top of Tine with Arms Horizontal and Fork Level	mm	1874
		in	73.8
9	Ground to Top of Tine at Maximum Height and Fork Level	mm	4315
		in	169.9
10	Overall Height of Fork at Full Lift (top of carriage to ground)	mm	5355
		in	210.8
11	Clearance at Full Lift and Max Dump	mm	3057
		in	120.4
12	Max Discharge Angle from Horizontal	deg	50
13	Overall Carriage Width	mm	2833
		in	111.5
14	Overall Carriage Height	mm	1130
		in	44.5
15	Outside Tine Width (max spread)	mm	2493
		in	98.1
16	Outside Tine Width (min spread)	mm	590
		in	23.2
	Tine Width (single tine)	mm	180.0
		in	7.1
	Tine Thickness	mm	90.0
		in	3.5
	Tine Capacity	kq	22200
		lbs	48929
	Operating Weight	kq	20825
		lbs	45898

*Negative values indicate below grade

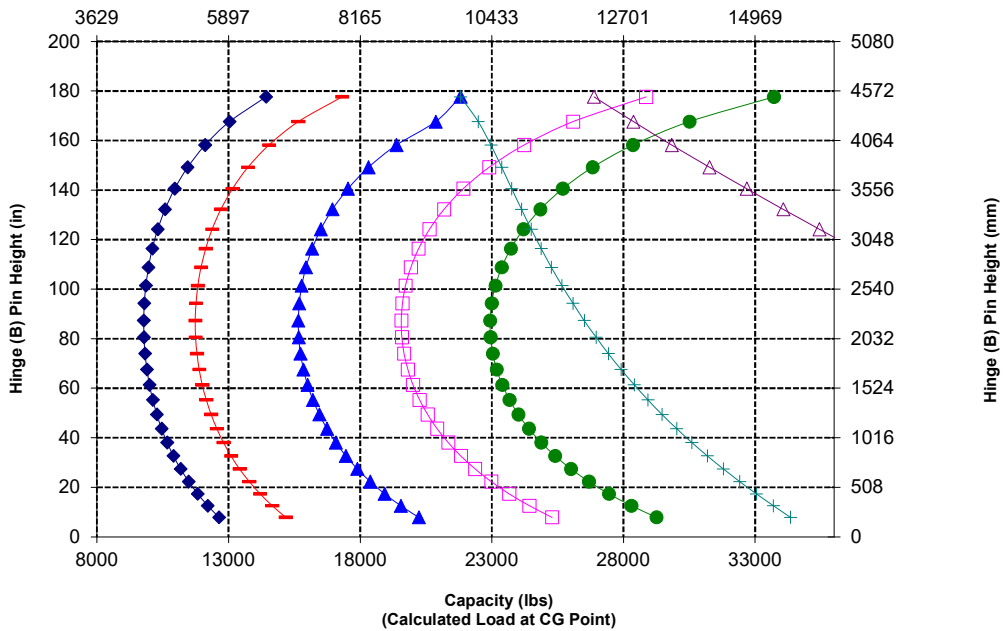
962 HL Construction Fork, FUSION

108" Carriage 48" Tine
520-7968 520-7985

*Build 14A
*Parallel Z-Bar Linkage
*High Lift Configuration



Capacity (kg)
(Calculated Load at CG Point)



NOTE: Static tipping loads and operating weight are based on the following loader configuration: Bridgestone VJTL3 Tires, Air Conditioning, Ride Control, Powertrain Guard, Full Fluids, Fuel Tank, Coolant, Lubricants, and Operator.

Specifications and ratings conform to the following standards: SAE* J1197, ISO 14397-1, CEN** EN 474-3.

The rated operating load for a loader equipped with a pallet fork is determined by:
SAE J1197: 50% of full turn static tipping load or hydraulic limit.
CEN EN 474-3: 60% of full turn static tipping load on rough terrain or hydraulic limit.
CEN EN 474-3: 80% of full turn static tipping load on firm and level ground or hydraulic limit.

*SAE - Society of Automotive Engineers
**CEN - European Committee for Standardization



WARNING: Do not exceed tine load capacity. Individual tine capacity is stamped on the side of each tine.

962 Wheel Loader Specifications

Fork Specifications

Fork Specifications

1	Tine Length	mm	1524
		in	60.0
2	Load Center	mm	762
		in	30.0
	Static Tipping Load - Straight (Forks Level)	kg	9914
		lbs	21851
	Static Tipping Load - Articulated (Forks Level)	kg	8447
		lbs	18617
	Rated Load (SAE J1197 - 50% FTSTL)	kg	4223
		lbs	9308
	Rated Load (CEN EN 474-3 Rough Terrain - 60% FTSTL)	kg	5068
		lbs	11170
	Rated Load (CEN EN 474-3 Firm and Level Ground - 80% FTSTL)	kg	6758
		lbs	14894
3	Maximum Overall Length	mm	9577
		in	377.1
4	Reach with Forks at Ground Level	mm	1659
		in	65.3
5	*Ground to Bottom of Tine at Minimum Height and Fork Level	mm	-86
		in	-3.4
6	Reach with Arms Horizontal and Forks Level	mm	2119
		in	83.4
7	Reach with Fork at Maximum Height	mm	1064
		in	41.9
8	Ground to Top of Tine with Arms Horizontal and Fork Level	mm	1874
		in	73.8
9	Ground to Top of Tine at Maximum Height and Fork Level	mm	4315
		in	169.9
10	Overall Height of Fork at Full Lift (top of carriage to ground)	mm	5355
		in	210.8
11	Clearance at Full Lift and Max Dump	mm	2823
		in	111.1
12	Max Discharge Angle from Horizontal	deg	50
13	Overall Carriage Width	mm	2833
		in	111.5
14	Overall Carriage Height	mm	1130
		in	44.5
15	Outside Tine Width (max spread)	mm	2483
		in	97.8
16	Outside Tine Width (min spread)	mm	590
		in	23.2
	Tine Width (single tine)	mm	180.0
		in	7.1
	Tine Thickness	mm	90.0
		in	3.5
	Tine Capacity	kg	17800
		lbs	39231
	Operating Weight	kg	20887
		lbs	46035

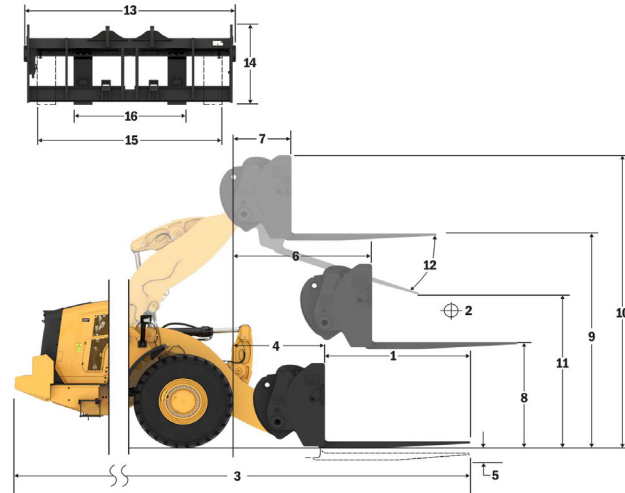
*Negative values indicate below grade

962 HL Construction Fork, FUSION

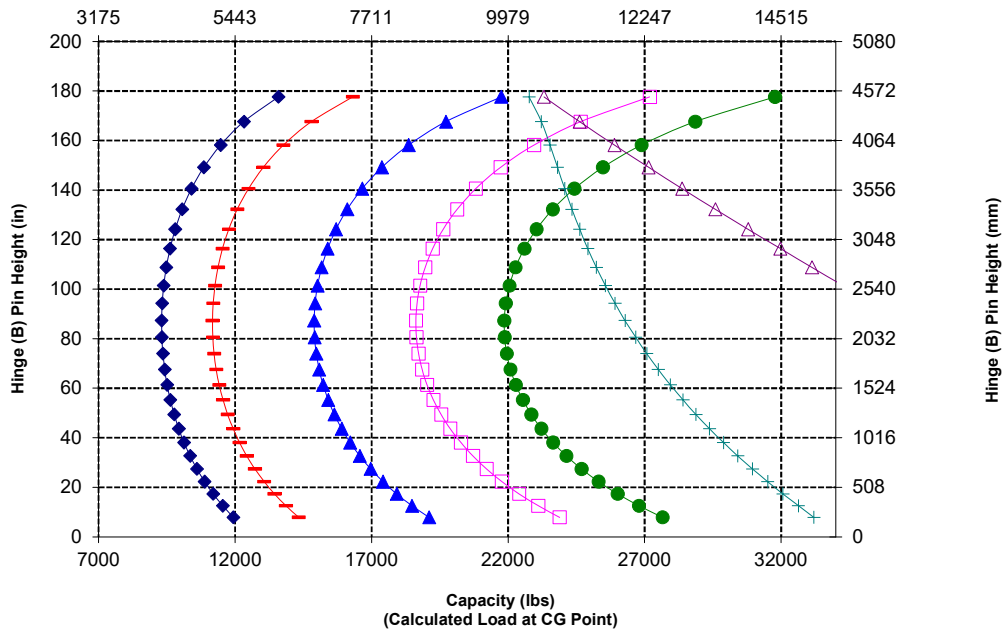
108" Carriage
520-7968

60" Tine
520-7980

*Build 14A
*Parallel Z-Bar Linkage
*High Lift Configuration



Capacity (kg)
(Calculated Load at CG Point)



WARNING: Do not exceed tine load capacity. Individual tine capacity is stamped on the side of each tine.

962 Wheel Loader Specifications

Fork Specifications

Fork Specifications

1	Tine Length	mm	1829
		in	72.0
2	Load Center	mm	915
		in	36.0
	Static Tipping Load - Straight (Forks Level)	kq	9459
		lbs	20847
	Static Tipping Load - Articulated (Forks Level)	kq	8049
		lbs	17740
	Rated Load (SAE J1197 - 50% FTSTL)	kq	4024
		lbs	8870
	Rated Load (CEN EN 474-3 Rough Terrain - 60% FTSTL)	kq	4829
		lbs	10644
	Rated Load (CEN EN 474-3 Firm and Level Ground - 80% FTSTL)	kq	6439
		lbs	14192
3	Maximum Overall Length	mm	9882
		in	389.1
4	Reach with Forks at Ground Level	mm	1659
		in	65.3
5	*Ground to Bottom of Tine at Minimum Height and Fork Level	mm	-86
		in	-3.4
6	Reach with Arms Horizontal and Forks Level	mm	2119
		in	83.4
7	Reach with Fork at Maximum Height	mm	1064
		in	41.9
8	Ground to Top of Tine with Arms Horizontal and Fork Level	mm	1874
		in	73.8
9	Ground to Top of Tine at Maximum Height and Fork Level	mm	4315
		in	169.9
10	Overall Height of Fork at Full Lift (top of carriage to ground)	mm	5355
		in	210.8
11	Clearance at Full Lift and Max Dump	mm	2589
		in	101.9
12	Max Discharge Angle from Horizontal	deg	50
13	Overall Carriage Width	mm	2833
		in	111.5
14	Overall Carriage Height	mm	1130
		in	44.5
15	Outside Tine Width (max spread)	mm	2483
		in	97.8
16	Outside Tine Width (min spread)	mm	590
		in	23.2
	Tine Width (single tine)	mm	180.0
		in	7.1
	Tine Thickness	mm	90.0
		in	3.5
	Tine Capacity	kq	14800
		lbs	32619
	Operating Weight	kq	20949
		lbs	46172

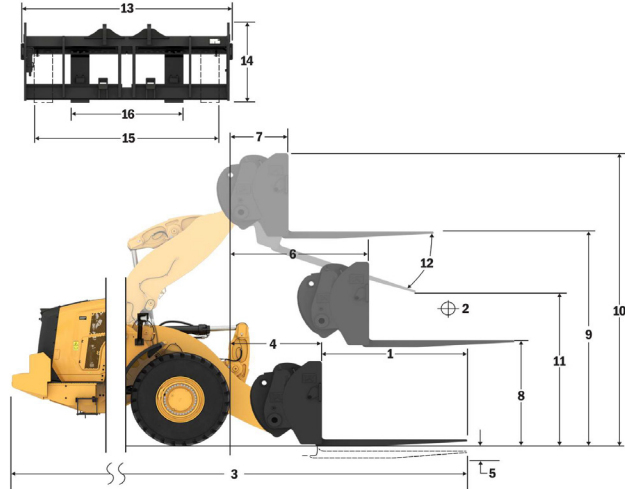
*Negative values indicate below grade

962 HL Construction Fork, FUSION

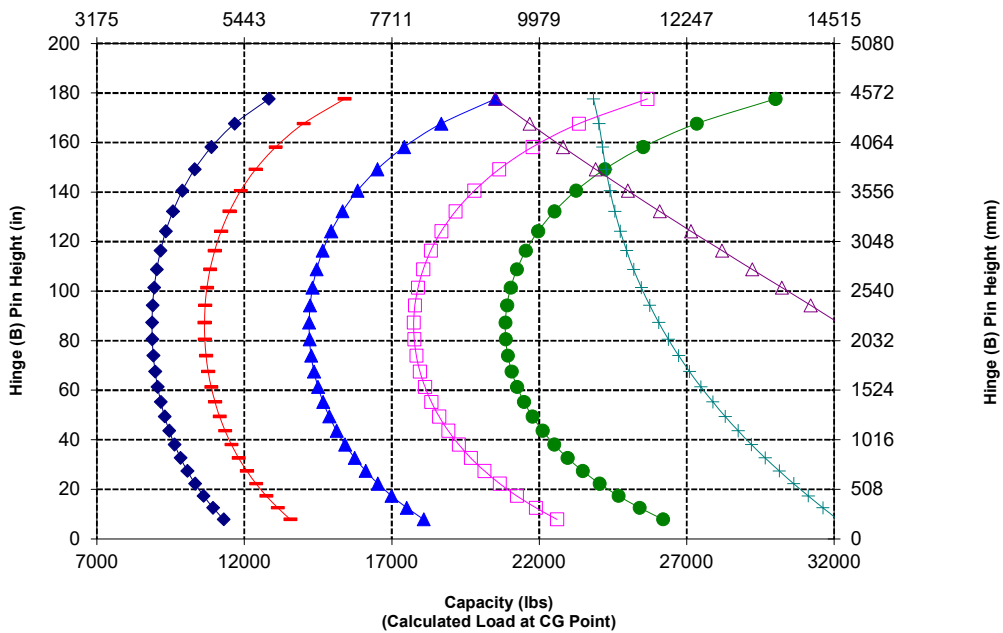
108" Carriage
520-7968

72" Tine
520-7979

*Build 14A
*Parallel Z-Bar Linkage
*High Lift Configuration



Capacity (kg)
(Calculated Load at CG Point)



NOTE: Static tipping loads and operating weight are based on the following loader configuration: Bridgestone VJTL3 Tires, Air Conditioning, Ride Control, Powertrain Guard, Full Fluids, Fuel Tank, Coolant, Lubricants, and Operator.

Specifications and ratings conform to the following standards: SAE* J1197, ISO 14397-1, CEN** EN 474-3.

The rated operating load for a loader equipped with a pallet fork is determined by:
SAE J1197: 50% of full turn static tipping load or hydraulic limit.
CEN EN 474-3: 60% of full turn static tipping load on rough terrain or hydraulic limit.
CEN EN 474-3: 80% of full turn static tipping load on firm and level ground or hydraulic limit.

*SAE - Society of Automotive Engineers
**CEN - European Committee for Standardization



WARNING: Do not exceed tine load capacity. Individual tine capacity is stamped on the side of each tine.

962 Wheel Loader Specifications

Fork Specifications

Fork Specifications

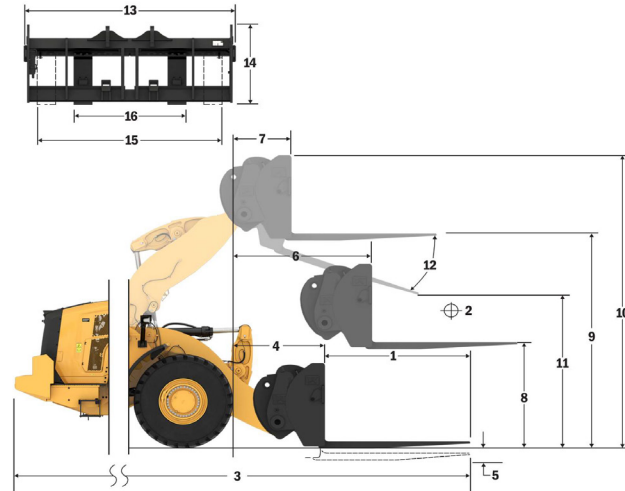
1	Tine Length	mm	2134
		in	84.0
2	Load Center	mm	1067
		in	42.0
	Static Tipping Load - Straight (Forks Level)	kg	9033
		lbs	19909
	Static Tipping Load - Articulated (Forks Level)	kg	7677
		lbs	16920
	Rated Load (SAE J1197 - 50% FTSTL)	kg	3838
		lbs	8460
	Rated Load (CEN EN 474-3 Rough Terrain - 60% FTSTL)	kg	4606
		lbs	10152
	Rated Load (CEN EN 474-3 Firm and Level Ground - 80% FTSTL)	kg	6142
		lbs	13536
3	Maximum Overall Length	mm	10187
		in	401.1
4	Reach with Forks at Ground Level	mm	1659
		in	65.3
5	*Ground to Bottom of Tine at Minimum Height and Fork Level	mm	-86
		in	-3.4
6	Reach with Arms Horizontal and Forks Level	mm	2119
		in	83.4
7	Reach with Fork at Maximum Height	mm	1064
		in	41.9
8	Ground to Top of Tine with Arms Horizontal and Fork Level	mm	1874
		in	73.8
9	Ground to Top of Tine at Maximum Height and Fork Level	mm	4315
		in	169.9
10	Overall Height of Fork at Full Lift (top of carriage to ground)	mm	5355
		in	210.8
11	Clearance at Full Lift and Max Dump	mm	2355
		in	92.7
12	Max Discharge Angle from Horizontal	deg	50
13	Overall Carriage Width	mm	2833
		in	111.5
14	Overall Carriage Height	mm	1130
		in	44.5
15	Outside Tine Width (max spread)	mm	2483
		in	97.8
16	Outside Tine Width (min spread)	mm	590
		in	23.2
	Tine Width (single tine)	mm	180.0
		in	7.1
	Tine Thickness	mm	90.0
		in	3.5
	Tine Capacity	kg	12700
		lbs	27991
	Operating Weight	kg	21011
		lbs	46308

*Negative values indicate below grade

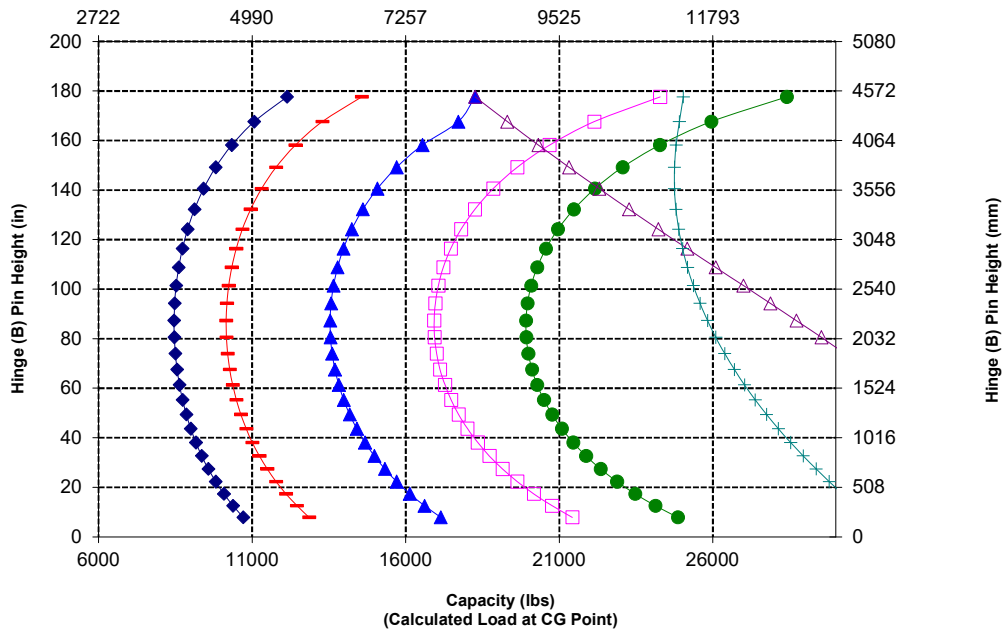
962 HL Construction Fork, FUSION

108" Carriage 84" Tine
520-7968 520-7986

*Build 14A
*Parallel Z-Bar Linkage
*High Lift Configuration



Capacity (kg)
(Calculated Load at CG Point)



WARNING: Do not exceed tine load capacity. Individual tine capacity is stamped on the side of each tine.

962 Wheel Loader Specifications

Fork Specifications

Fork Specifications

1	Tine Length	mm	2438
		in	96.0
2	Load Center	mm	1219
		in	48.0
	Static Tipping Load - Straight (Forks Level)	kq	8635
		lbs	19031
	Static Tipping Load - Articulated (Forks Level)	kq	7328
		lbs	16151
	Rated Load (SAE J1197 - 50% FTSTL)	kq	3664
		lbs	8075
	Rated Load (CEN EN 474-3 Rough Terrain - 60% FTSTL)	kq	4397
		lbs	9691
	Rated Load (CEN EN 474-3 Firm and Level Ground - 80% FTSTL)	kq	5862
		lbs	12921
3	Maximum Overall Length	mm	10491
		in	413.0
4	Reach with Forks at Ground Level	mm	1659
		in	65.3
5	*Ground to Bottom of Tine at Minimum Height and Fork Level	mm	-86
		in	-3.4
6	Reach with Arms Horizontal and Forks Level	mm	2119
		in	83.4
7	Reach with Fork at Maximum Height	mm	1064
		in	41.9
8	Ground to Top of Tine with Arms Horizontal and Fork Level	mm	1874
		in	73.8
9	Ground to Top of Tine at Maximum Height and Fork Level	mm	4315
		in	169.9
10	Overall Height of Fork at Full Lift (top of carriage to ground)	mm	5355
		in	210.8
11	Clearance at Full Lift and Max Dump	mm	2122
		in	83.5
12	Max Discharge Angle from Horizontal	deg	50
13	Overall Carriage Width	mm	2833
		in	111.5
14	Overall Carriage Height	mm	1130
		in	44.5
15	Outside Tine Width (max spread)	mm	2483
		in	97.8
16	Outside Tine Width (min spread)	mm	590
		in	23.2
	Tine Width (single tine)	mm	180.0
		in	7.1
	Tine Thickness	mm	90.0
		in	3.5
	Tine Capacity	kq	11300
		lbs	24905
	Operating Weight	kq	21074
		lbs	46447

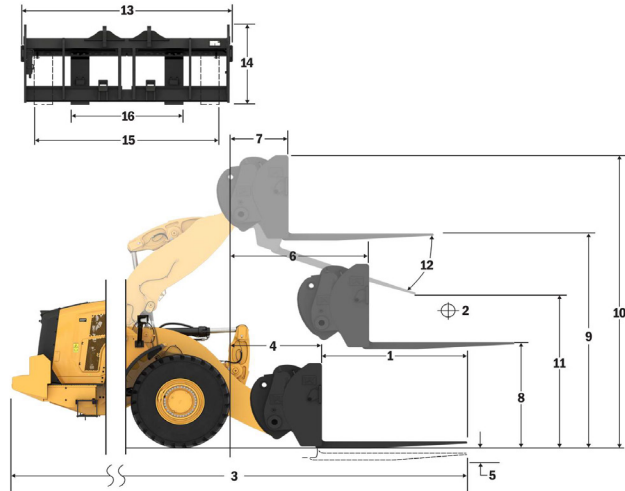
*Negative values indicate below grade

962 HL Construction Fork, FUSION

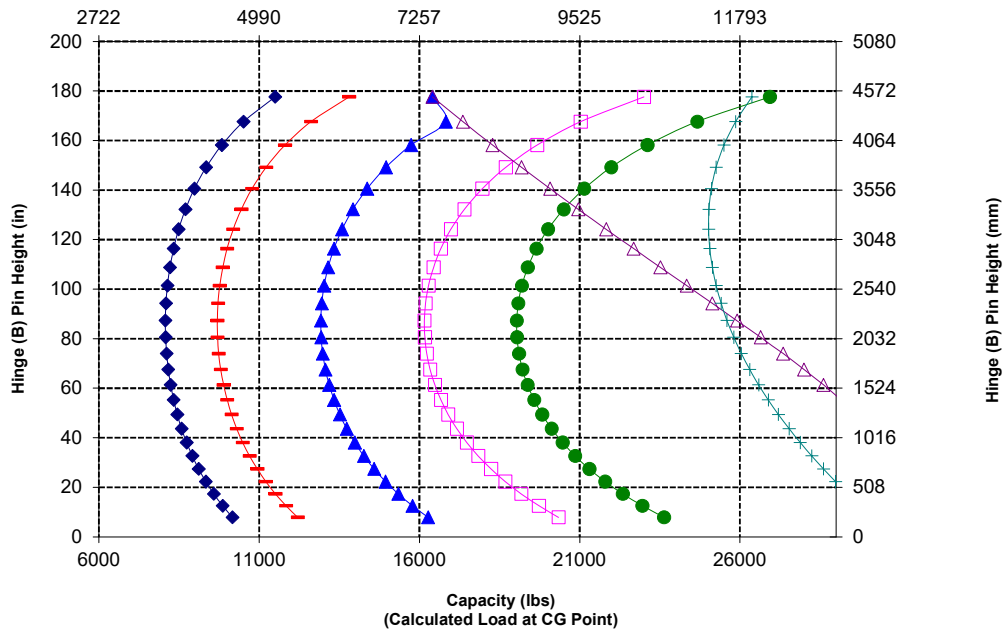
108" Carriage
520-7968

96" Tine
520-7981

*Build 14A
*Parallel Z-Bar Linkage
*High Lift Configuration



Capacity (kg)
(Calculated Load at CG Point)



WARNING: Do not exceed tine load capacity. Individual tine capacity is stamped on the side of each tine.

Material Handling Arm Specifications

962 HL

289-9885

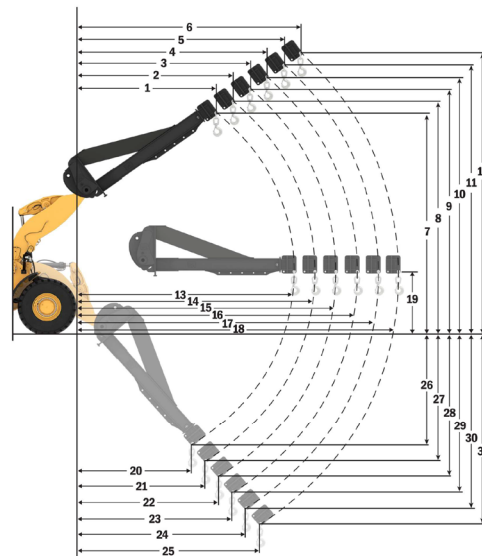
Material Handling Arm, FUSION

6 Position

MHA Specifications

	Retracted	Extension 1	Extension 2	Extension 3	Extension 4	Extended
Max Lift - Hook Eyelet Reach (1, 2, 3, 4, 5, 6)	mm 2,460 ft. in 8' 0"	2,611 8' 6"	2,761 9' 0"	2,912 9' 6"	3,062 10' 0"	3,213 10' 6"
Max Lift - Hook Eyelet Height (7, 8, 9, 10, 11, 12)	mm 7,270 ft. in 23' 10"	7,535 24' 8"	7,800 25' 7"	8,065 26' 5"	8,330 27' 3"	8,595 28' 2"
Level - Hook Eyelet Reach (13, 14, 15, 16, 17, 18)	mm 4,985 ft. in 16' 4"	5,290 17' 4"	5,595 18' 4"	5,900 19' 4"	6,204 20' 4"	6,509 21' 4"
Level - Hook Eyelet Height (19)	mm 1,839 ft. in 6' 0.3"	1,839 6' 0.3"	1,839 6' 0.3"	1,839 6' 0.3"	1,839 6' 0.3"	1,839 6' 0.3"
Min Lift - Hook Eyelet Reach (20, 21, 22, 23, 24, 25)	mm 2,812 ft. in 9' 2"	2,987 9' 9"	3,161 10' 4"	3,336 10' 11"	3,510 11' 6"	3,685 12' 1"
Min Lift - Hook Eyelet Height (26, 27, 28, 29, 30, 31)	mm (2,641) ft. in -8' 4"	(2,891) -9' 6"	(3,141) -10' 8"	(3,391) -11' 10"	(3,641) -11' 0"	(3,891) -12' 2"
Static Tipping Load, Straight	kg 6,611 lb 14,572	6,275 13,830	5,970 13,158	5,693 12,547	5,439 11,988	5,207 11,476
Static Tipping Load, Articulated	kg 5,681 lb 12,522	5,391 11,882	5,128 11,303	4,889 10,776	4,671 10,295	4,470 9,853
Operating Weight	kg 20,221 lb 44,567	20,221 44,567	20,221 44,567	20,221 44,567	20,221 44,567	20,221 44,567

- *Build 14A
- *Parallel Z-Bar Linkage
- *High Lift Configuration



- Retracted
- Extension 1
- Extension 2
- Extension 3
- Extension 4
- Extended

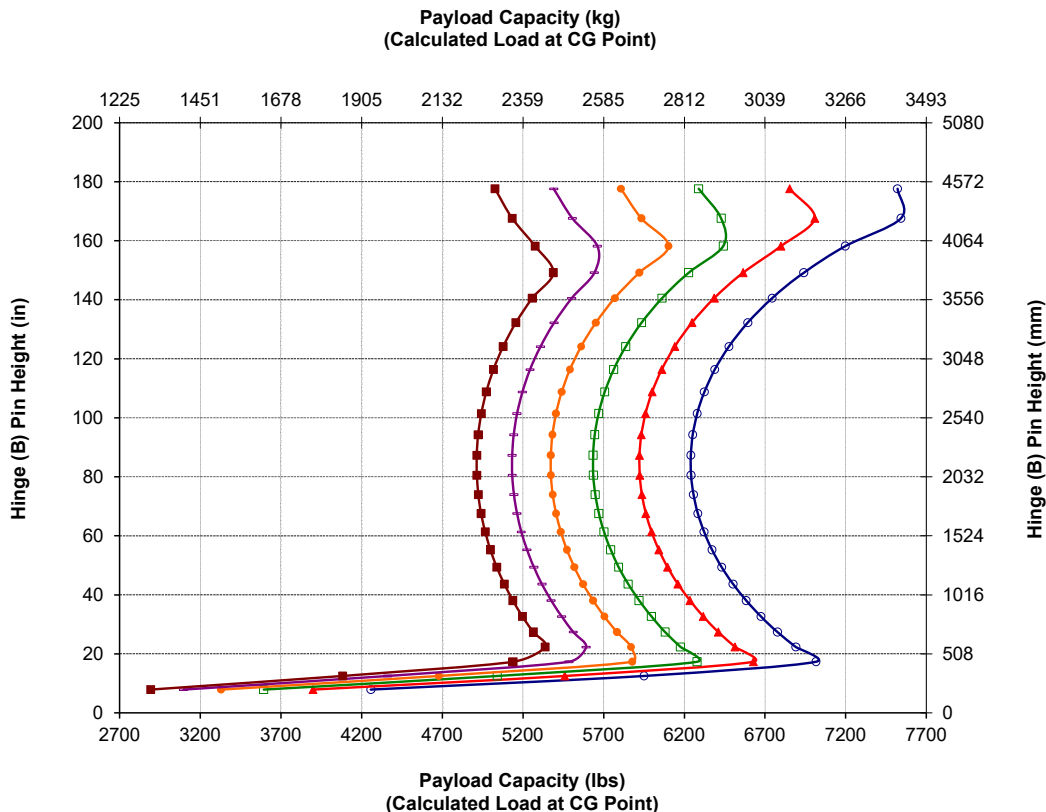
NOTE: Static tipping loads and operating weight are based on the following loader configuration: Bridgestone VJT L3Tires, Air Conditioning, Ride Control, Powertrain Guard, Full Fluids, Fuel Tank, Coolant, Lubricants, and Operator.

Specifications and ratings conform to the following standards: SAE* J1197, ISO 14397-1

The rated operating load for a loader equipped with a material handling arm is determined by:

SAE J1197: 50% of full turn static tipping load or hydraulic limit.

*SAE - Society of Automotive Engineers



962 Wheel Loader Specifications

Fork Specifications

Fork Specifications

1	Tine Length	mm	1524
		in	60.0
2	Load Center	mm	762
		in	30.0
	Static Tipping Load - Straight (Forks Level)	kg	11282
		lbs	24865
	Static Tipping Load - Articulated (Forks Level)	kg	9700
		lbs	21379
	Rated Load (SAE J1197 - 50% FTSTL)	kg	4850
		lbs	10690
	Rated Load (CEN EN 474-3 Rough Terrain - 60% FTSTL)	kg	5820
		lbs	12828
	Rated Load (CEN EN 474-3 Firm and Level Ground - 80% FTSTL)	kg	7760
		lbs	17103
3	Maximum Overall Length	mm	9294
		in	365.9
4	Reach with Forks at Ground Level	mm	1376
		in	54.2
5	*Ground to Bottom of Tine at Minimum Height and Fork Level	mm	-161
		in	-6.4
6	Reach with Arms Horizontal and Forks Level	mm	1849
		in	72.8
7	Reach with Fork at Maximum Height	mm	971
		in	38.2
8	Ground to Top of Tine with Arms Horizontal and Fork Level	mm	1769
		in	69.6
9	Ground to Top of Tine at Maximum Height and Fork Level	mm	3920
		in	154.3
10	Overall Height of Fork at Full Lift (top of carriage to ground)	mm	4695
		in	184.9
11	Clearance at Full Lift and Max Dump	mm	2556
		in	100.6
12	Max Discharge Angle from Horizontal	deg	46
13	Overall Carriage Width	mm	2217
		in	87.3
14	Overall Carriage Height	mm	840
		in	33.1
15	Outside Tine Width (max spread)	mm	2070
		in	81.5
16	Outside Tine Width (min spread)	mm	470
		in	18.5
	Tine Width (single tine)	mm	150.0
		in	5.9
	Tine Thickness	mm	65.0
		in	2.6
	Tine Capacity	kg	6300
		lbs	13885
	Operating Weight	kg	20369
		lbs	44892

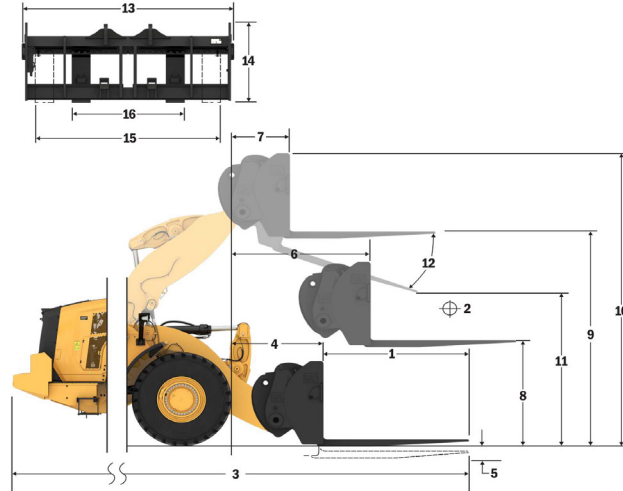
*Negative values indicate below grade

962 AGG Pallet Fork, FUSION

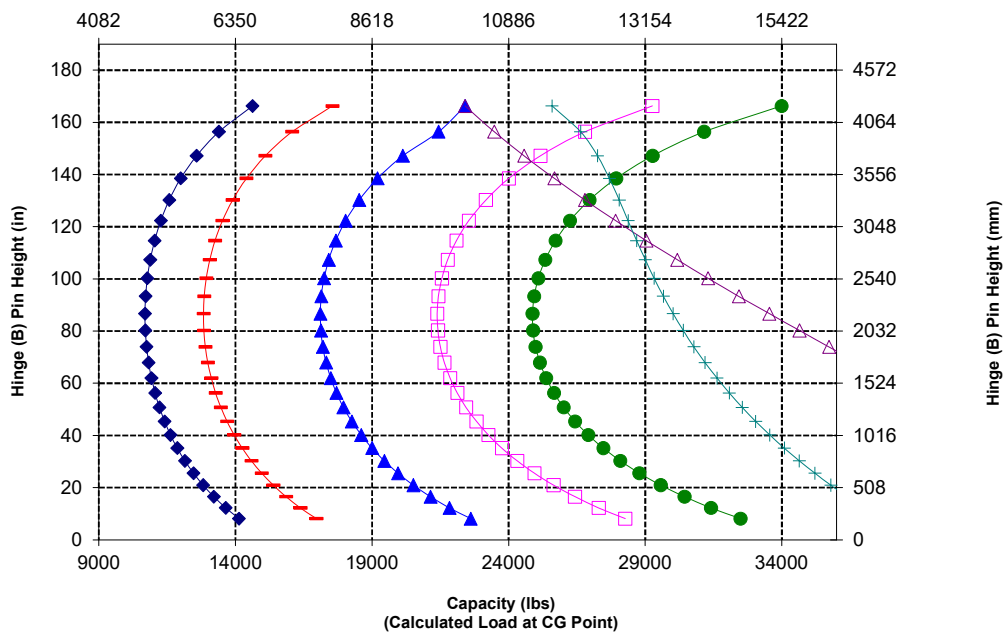
87" Carriage
530-1861

60" Tine
548-3265

*Build 14A
*Parallel Z-Bar Linkage
*Aggregate Handling Configuration



Capacity (kg)
(Calculated Load at CG Point)



NOTE: Static tipping loads and operating weight are based on the following loader configuration: Bridgestone VJL3 Tires, Air Conditioning, Ride Control, Powertrain Guard, Full Fluids, Fuel Tank, Coolant, Lubricants, and Operator.

Specifications and ratings conform to the following standards: SAE* J1197, ISO 14397-1, CEN** EN 474-3.

The rated operating load for a loader equipped with a pallet fork is determined by:
SAE J1197: 50% of full turn static tipping load or hydraulic limit.
CEN EN 474-3: 60% of full turn static tipping load on rough terrain or hydraulic limit.
CEN EN 474-3: 80% of full turn static tipping load on firm and level ground or hydraulic limit.

*SAE - Society of Automotive Engineers
**CEN - European Committee for Standardization



WARNING: Do not exceed tine load capacity. Individual tine capacity is stamped on the side of each tine.

962 Wheel Loader Specifications

Fork Specifications

Fork Specifications

1	Tine Length	mm	1830
		in	72.0
2	Load Center	mm	915
		in	36.0
	Static Tipping Load - Straight (Forks Level)	kg	10757
		lbs	23709
	Static Tipping Load - Articulated (Forks Level)	kg	9243
		lbs	20372
	Rated Load (SAE J1197 - 50% FTSTL)	kg	4621
		lbs	10186
	Rated Load (CEN EN 474-3 Rough Terrain - 60% FTSTL)	kg	5546
		lbs	12223
	Rated Load (CEN EN 474-3 Firm and Level Ground - 80% FTSTL)	kg	7394
		lbs	16297
3	Maximum Overall Length	mm	9600
		in	378.0
4	Reach with Forks at Ground Level	mm	1376
		in	54.2
5	*Ground to Bottom of Tine at Minimum Height and Fork Level	mm	-161
		in	-6.4
6	Reach with Arms Horizontal and Forks Level	mm	1849
		in	72.8
7	Reach with Fork at Maximum Height	mm	971
		in	38.2
8	Ground to Top of Tine with Arms Horizontal and Fork Level	mm	1769
		in	69.6
9	Ground to Top of Tine at Maximum Height and Fork Level	mm	3920
		in	154.3
10	Overall Height of Fork at Full Lift (top of carriage to ground)	mm	4695
		in	184.9
11	Clearance at Full Lift and Max Dump	mm	2337
		in	92.0
12	Max Discharge Angle from Horizontal	deg	46
13	Overall Carriage Width	mm	2217
		in	87.3
14	Overall Carriage Height	mm	840
		in	33.1
15	Outside Tine Width (max spread)	mm	2070
		in	81.5
16	Outside Tine Width (min spread)	mm	470
		in	18.5
	Tine Width (single tine)	mm	150.0
		in	5.9
	Tine Thickness	mm	65.0
		in	2.6
	Tine Capacity	kg	5246
		lbs	11562
	Operating Weight	kg	20416
		lbs	44996

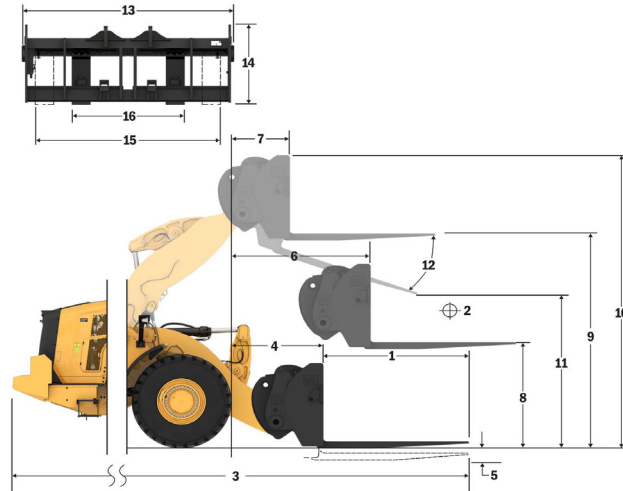
*Negative values indicate below grade

962 AGG Pallet Fork, FUSION

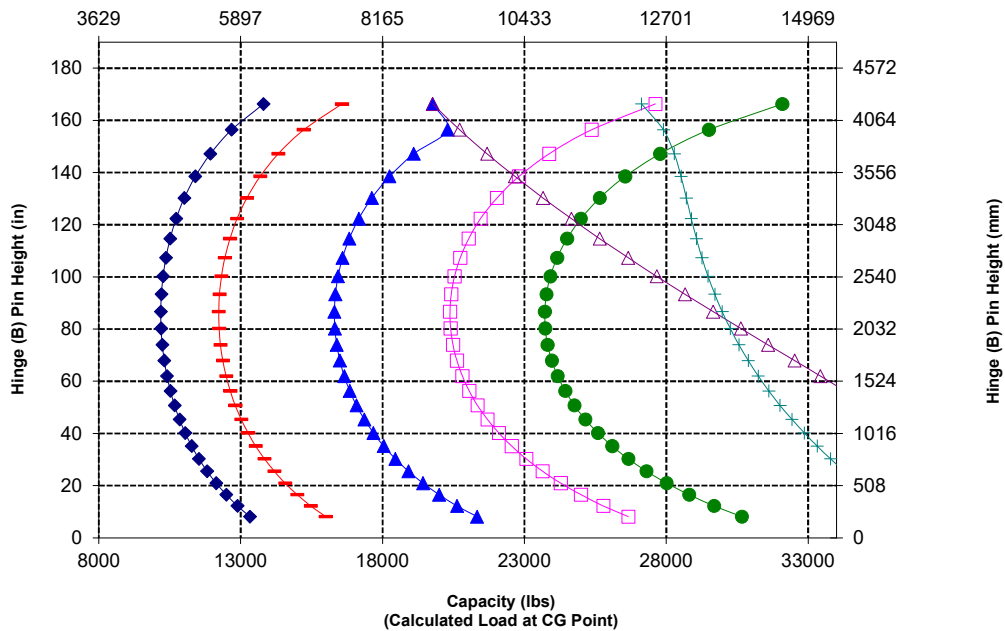
87" Carriage
530-1861

72" Tine
530-1869

*Build 14A
*Parallel Z-Bar Linkage
*Aggregate Handling Configuration



Capacity (kg)
(Calculated Load at CG Point)



WARNING: Do not exceed tine load capacity. Individual tine capacity is stamped on the side of each tine.

962 Wheel Loader Specifications

Fork Specifications

Fork Specifications

1	Tine Length	mm	1219
		in	48.0
2	Load Center	mm	810
		in	24.0
	Static Tipping Load - Straight (Forks Level)	kg	11590
		lbs	25545
	Static Tipping Load - Articulated (Forks Level)	kg	9931
		lbs	21888
	Rated Load (SAE J1197 - 50% FTSTL)	kg	4966
		lbs	10944
	Rated Load (CEN EN 474-3 Rough Terrain - 60% FTSTL)	kg	5959
		lbs	13133
	Rated Load (CEN EN 474-3 Firm and Level Ground - 80% FTSTL)	kg	7945
		lbs	17511
3	Maximum Overall Length	mm	8946
		in	352.2
4	Reach with Forks at Ground Level	mm	1332
		in	52.5
5	*Ground to Bottom of Tine at Minimum Height and Fork Level	mm	-81
		in	-3.2
6	Reach with Arms Horizontal and Forks Level	mm	1841
		in	72.5
7	Reach with Fork at Maximum Height	mm	963
		in	37.9
8	Ground to Top of Tine with Arms Horizontal and Fork Level	mm	1874
		in	73.8
9	Ground to Top of Tine at Maximum Height and Fork Level	mm	4026
		in	158.5
10	Overall Height of Fork at Full Lift (top of carriage to ground)	mm	5066
		in	199.5
11	Clearance at Full Lift and Max Dump	mm	2740
		in	107.9
12	Max Discharge Angle from Horizontal	deg	52
13	Overall Carriage Width	mm	2528
		in	99.5
14	Overall Carriage Height	mm	1130
		in	44.5
15	Outside Tine Width (max spread)	mm	2178
		in	85.7
16	Outside Tine Width (min spread)	mm	576
		in	22.7
	Tine Width (single tine)	mm	180.0
		in	7.1
	Tine Thickness	mm	90.0
		in	3.5
	Tine Capacity	kg	22200
		lbs	48929
	Operating Weight	kg	20678
		lbs	45573

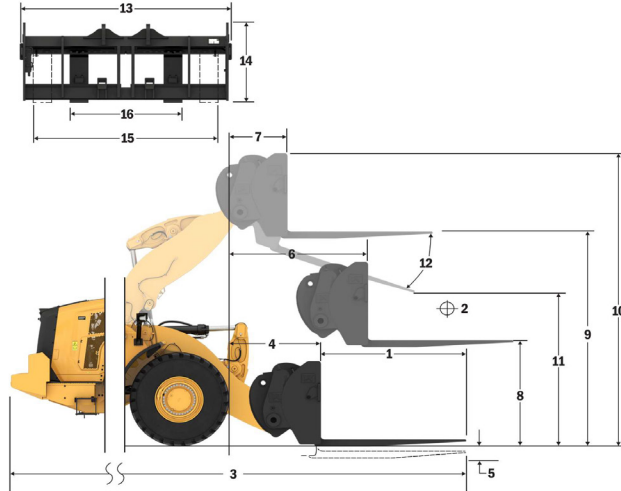
*Negative values indicate below grade

962 AGG Construction Fork, FUSION

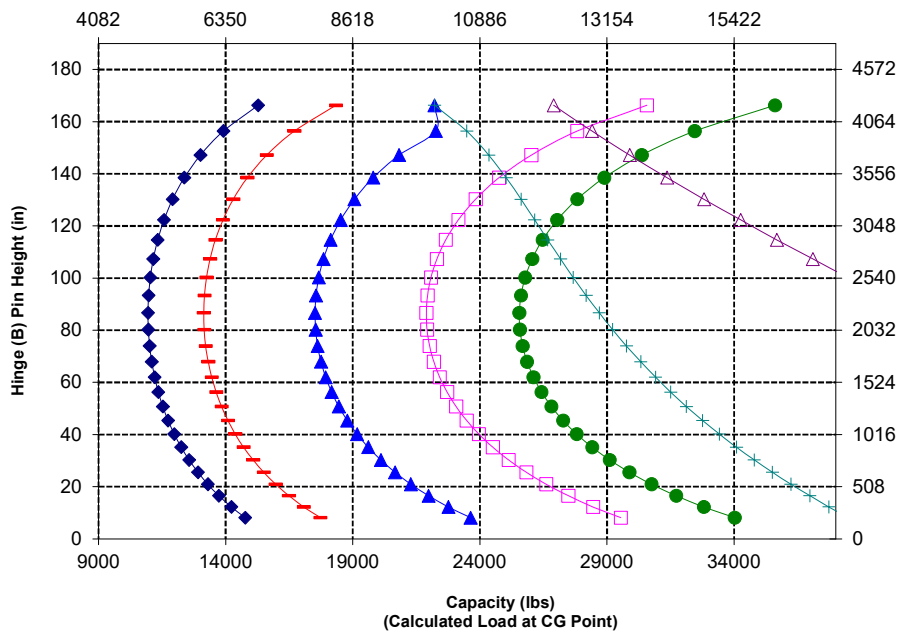
96" Carriage
520-7957

48" Tine
520-7985

*Build 14A
*Parallel Z-Bar Linkage
*Aggregate Handling Configuration



Capacity (kg)
(Calculated Load at CG Point)



NOTE: Static tipping loads and operating weight are based on the following loader configuration: Bridgestone VJT L3 Tires, Air Conditioning, Ride Control, Powertrain Guard, Full Fluids, Fuel Tank, Coolant, Lubricants, and Operator.

Specifications and ratings conform to the following standards: SAE* J1197, ISO 14397-1, CEN** EN 474-3.

The rated operating load for a loader equipped with a pallet fork is determined by:
SAE J1197: 50% of full turn static tipping load or hydraulic limit.
CEN EN 474-3: 60% of full turn static tipping load on rough terrain or hydraulic limit.
CEN EN 474-3: 80% of full turn static tipping load on firm and level ground or hydraulic limit.

*SAE - Society of Automotive Engineers
**CEN - European Committee for Standardization



WARNING: Do not exceed tine load capacity. Individual tine capacity is stamped on the side of each tine.

962 Wheel Loader Specifications

Fork Specifications

Fork Specifications

1	Tine Length	mm	1524
		in	60.0
2	Load Center	mm	762
		in	30.0
	Static Tipping Load - Straight (Forks Level)	kg	11013
		lbs	24273
	Static Tipping Load - Articulated (Forks Level)	kg	9427
		lbs	20777
	Rated Load (SAE J1197 - 50% FTSTL)	kg	4714
		lbs	10389
	Rated Load (CEN EN 474-3 Rough Terrain - 60% FTSTL)	kg	5656
		lbs	12466
	Rated Load (CEN EN 474-3 Firm and Level Ground - 80% FTSTL)	kg	7542
		lbs	16622
3	Maximum Overall Length	mm	9251
		in	364.2
4	Reach with Forks at Ground Level	mm	1333
		in	52.5
5	*Ground to Bottom of Tine at Minimum Height and Fork Level	mm	-81
		in	-3.2
6	Reach with Arms Horizontal and Forks Level	mm	1842
		in	72.5
7	Reach with Fork at Maximum Height	mm	963
		in	37.9
8	Ground to Top of Tine with Arms Horizontal and Fork Level	mm	1874
		in	73.8
9	Ground to Top of Tine at Maximum Height and Fork Level	mm	4026
		in	158.5
10	Overall Height of Fork at Full Lift (top of carriage to ground)	mm	5066
		in	199.5
11	Clearance at Full Lift and Max Dump	mm	2500
		in	98.4
12	Max Discharge Angle from Horizontal	deg	52
13	Overall Carriage Width	mm	2528
		in	99.5
14	Overall Carriage Height	mm	1130
		in	44.5
15	Outside Tine Width (max spread)	mm	2178
		in	85.7
16	Outside Tine Width (min spread)	mm	576
		in	22.7
	Tine Width (single tine)	mm	180.0
		in	7.1
	Tine Thickness	mm	90.0
		in	3.5
	Tine Capacity	kg	17800
		lbs	39231
	Operating Weight	kg	20744
		lbs	45719

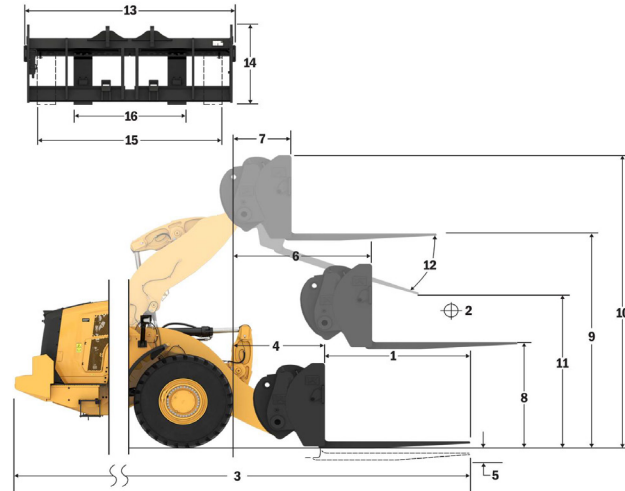
*Negative values indicate below grade

962 AGG Construction Fork, FUSION

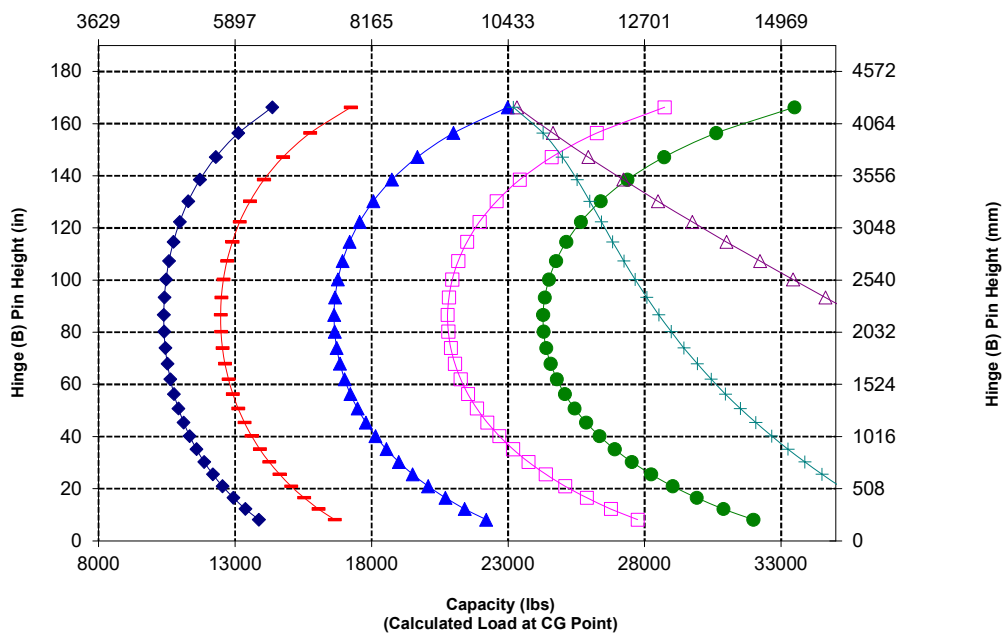
96" Carriage
520-7957

60" Tine
520-7980

*Build 14A
*Parallel Z-Bar Linkage
*Aggregate Handling Configuration



Capacity (kg)
(Calculated Load at CG Point)



NOTE: Static tipping loads and operating weight are based on the following loader configuration: Bridgestone VJL3 Tires, Air Conditioning, Ride Control, Powertrain Guard, Full Fluids, Fuel Tank, Coolant, Lubricants, and Operator.

Specifications and ratings conform to the following standards: SAE* J1197, ISO 14397-1, CEN** EN 474-3.

The rated operating load for a loader equipped with a pallet fork is determined by:
SAE J1197: 50% of full turn static tipping load or hydraulic limit.
CEN EN 474-3: 60% of full turn static tipping load on rough terrain or hydraulic limit.
CEN EN 474-3: 80% of full turn static tipping load on firm and level ground or hydraulic limit.

*SAE - Society of Automotive Engineers
**CEN - European Committee for Standardization



WARNING: Do not exceed tine load capacity. Individual tine capacity is stamped on the side of each tine.

962 Wheel Loader Specifications

Fork Specifications

Fork Specifications

1	Tine Length	mm	1829
		in	72.0
2	Load Center	mm	93.5
		in	36.0
	Static Tipping Load - Straight (Forks Level)	kg	10483
		lbs	23104
	Static Tipping Load - Articulated (Forks Level)	kg	8964
		lbs	19757
	Rated Load (SAE J1197 - 50% FTSTL)	kg	4482
		lbs	9878
	Rated Load (CEN EN 474-3 Rough Terrain - 60% FTSTL)	kg	5378
		lbs	11854
	Rated Load (CEN EN 474-3 Firm and Level Ground - 80% FTSTL)	kg	7171
		lbs	15805
3	Maximum Overall Length	mm	9556
		in	376.2
4	Reach with Forks at Ground Level	mm	1333
		in	52.5
5	*Ground to Bottom of Tine at Minimum Height and Fork Level	mm	-81
		in	-3.2
6	Reach with Arms Horizontal and Forks Level	mm	1842
		in	72.5
7	Reach with Fork at Maximum Height	mm	963
		in	37.9
8	Ground to Top of Tine with Arms Horizontal and Fork Level	mm	1874
		in	73.8
9	Ground to Top of Tine at Maximum Height and Fork Level	mm	4026
		in	158.5
10	Overall Height of Fork at Full Lift (top of carriage to ground)	mm	5066
		in	199.5
11	Clearance at Full Lift and Max Dump	mm	2259
		in	88.9
12	Max Discharge Angle from Horizontal	deg	52
13	Overall Carriage Width	mm	2528
		in	99.5
14	Overall Carriage Height	mm	1130
		in	44.5
15	Outside Tine Width (max spread)	mm	2178
		in	85.7
16	Outside Tine Width (min spread)	mm	576
		in	22.7
	Tine Width (single tine)	mm	180.0
		in	7.1
	Tine Thickness	mm	90.0
		in	3.5
	Tine Capacity	kg	14800
		lbs	32619
	Operating Weight	kg	20805
		lbs	45853

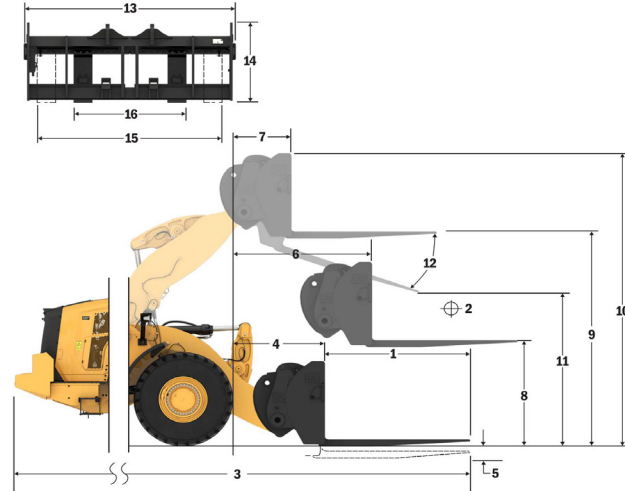
*Negative values indicate below grade

962 AGG Construction Fork, FUSION

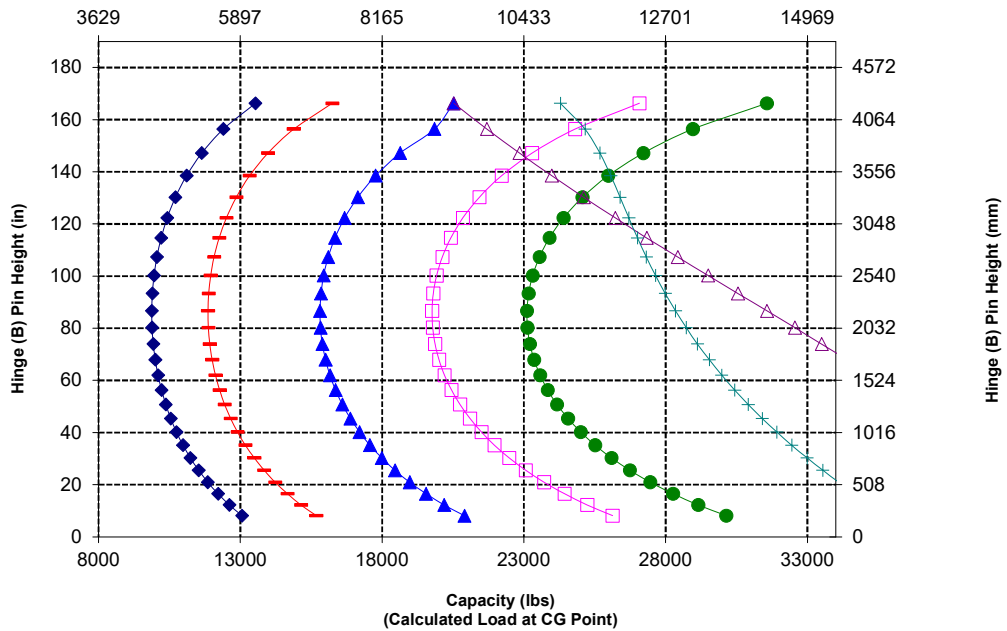
96" Carriage
520-7957

72" Tine
520-7979

*Build 14A
*Parallel Z-Bar Linkage
*Aggregate Handling Configuration



Capacity (kg)
(Calculated Load at CG Point)



WARNING: Do not exceed tine load capacity. Individual tine capacity is stamped on the side of each tine.

962 Wheel Loader Specifications

Fork Specifications

Fork Specifications

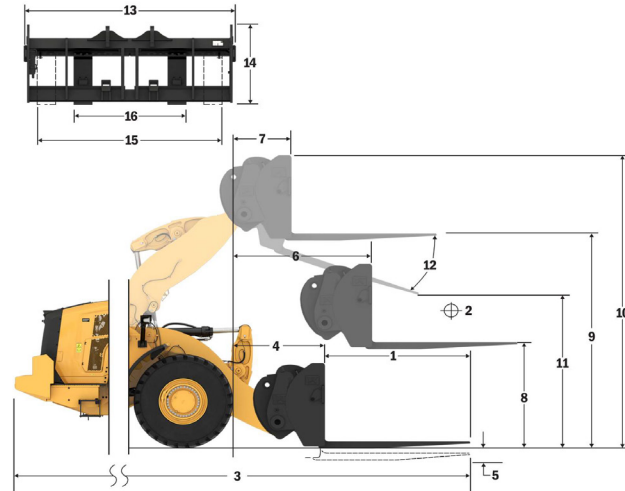
1	Tine Length	mm	2134
		in	84.0
2	Load Center	mm	1067
		in	42.0
	Static Tipping Load - Straight (Forks Level)	kg	9989
		lbs	22016
	Static Tipping Load - Articulated (Forks Level)	kg	8532
		lbs	18804
	Rated Load (SAE J1197 - 50% FTSTL)	kg	4266
		lbs	9402
	Rated Load (CEN EN 474-3 Rough Terrain - 60% FTSTL)	kg	5119
		lbs	11282
	Rated Load (CEN EN 474-3 Firm and Level Ground - 80% FTSTL)	kg	6825
		lbs	15043
3	Maximum Overall Length	mm	9861
		in	388.2
4	Reach with Forks at Ground Level	mm	1333
		in	52.5
5	*Ground to Bottom of Tine at Minimum Height and Fork Level	mm	-81
		in	-3.2
6	Reach with Arms Horizontal and Forks Level	mm	1842
		in	72.5
7	Reach with Fork at Maximum Height	mm	963
		in	37.9
8	Ground to Top of Tine with Arms Horizontal and Fork Level	mm	1874
		in	73.8
9	Ground to Top of Tine at Maximum Height and Fork Level	mm	4026
		in	158.5
10	Overall Height of Fork at Full Lift (top of carriage to ground)	mm	5066
		in	199.5
11	Clearance at Full Lift and Max Dump	mm	2019
		in	79.5
12	Max Discharge Angle from Horizontal	deg	52
13	Overall Carriage Width	mm	2528
		in	99.5
14	Overall Carriage Height	mm	1130
		in	44.5
15	Outside Tine Width (max spread)	mm	2178
		in	85.7
16	Outside Tine Width (min spread)	mm	576
		in	22.7
	Tine Width (single tine)	mm	180.0
		in	7.1
	Tine Thickness	mm	90.0
		in	3.5
	Tine Capacity	kg	12700
		lbs	27991
	Operating Weight	kg	20868
		lbs	45992

*Negative values indicate below grade

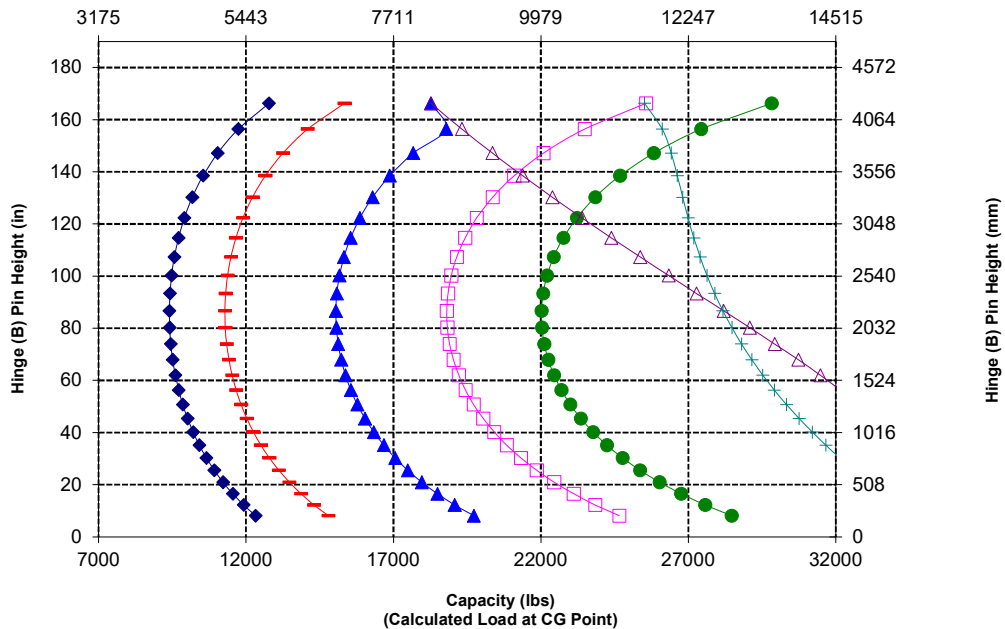
962 AGG Construction Fork, FUSION

96" Carriage 84" Tine
520-7957 520-7986

*Build 14A
*Parallel Z-Bar Linkage
*Aggregate Handling Configuration



Capacity (kg)
(Calculated Load at CG Point)



WARNING: Do not exceed tine load capacity. Individual tine capacity is stamped on the side of each tine.

962 Wheel Loader Specifications

Fork Specifications

Fork Specifications

1	Tine Length	mm	2438
		in	96.0
2	Load Center	mm	1219
		in	48.0
	Static Tipping Load - Straight (Forks Level)	kg	9531
		lbs	21007
	Static Tipping Load - Articulated (Forks Level)	kg	8131
		lbs	17921
	Rated Load (SAE J1197 - 50% FTSTL)	kg	4065
		lbs	8960
	Rated Load (CEN EN 474-3 Rough Terrain - 60% FTSTL)	kg	4879
		lbs	10752
	Rated Load (CEN EN 474-3 Firm and Level Ground - 80% FTSTL)	kg	6505
		lbs	14336
3	Maximum Overall Length	mm	10165
		in	400.2
4	Reach with Forks at Ground Level	mm	1333
		in	52.5
5	*Ground to Bottom of Tine at Minimum Height and Fork Level	mm	-81
		in	-3.2
6	Reach with Arms Horizontal and Forks Level	mm	1842
		in	72.5
7	Reach with Fork at Maximum Height	mm	963
		in	37.9
8	Ground to Top of Tine with Arms Horizontal and Fork Level	mm	1874
		in	73.8
9	Ground to Top of Tine at Maximum Height and Fork Level	mm	4026
		in	158.5
10	Overall Height of Fork at Full Lift (top of carriage to ground)	mm	5066
		in	199.5
11	Clearance at Full Lift and Max Dump	mm	1779
		in	70.0
12	Max Discharge Angle from Horizontal	deg	52
13	Overall Carriage Width	mm	2528
		in	99.5
14	Overall Carriage Height	mm	1130
		in	44.5
15	Outside Tine Width (max spread)	mm	2178
		in	85.7
16	Outside Tine Width (min spread)	mm	576
		in	22.7
	Tine Width (single tine)	mm	180.0
		in	7.1
	Tine Thickness	mm	90.0
		in	3.5
	Tine Capacity	kg	11300
		lbs	24905
	Operating Weight	kg	20930
		lbs	46129

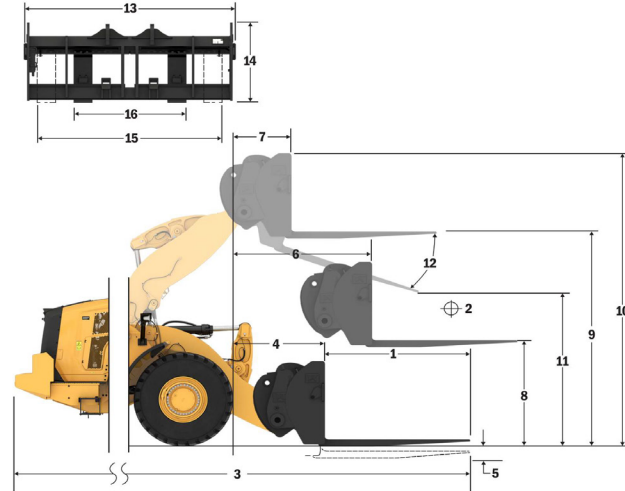
*Negative values indicate below grade

962 AGG Construction Fork, FUSION

96" Carriage
520-7957

96" Tine
520-7981

*Build 14A
*Parallel Z-Bar Linkage
*Aggregate Handling Configuration



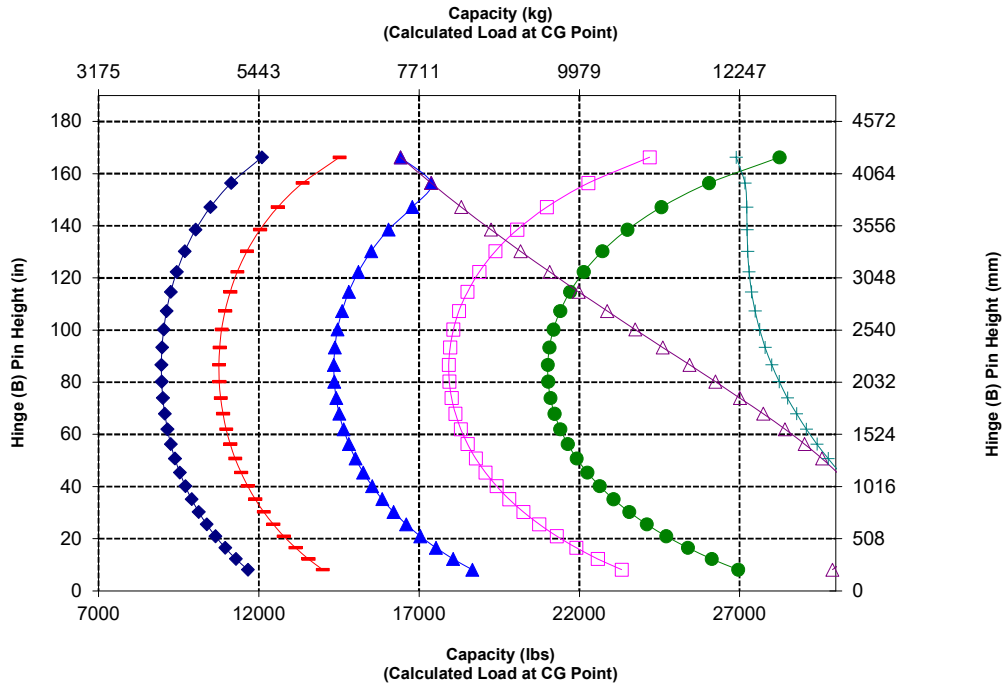
- ◆ Payload (SAE J1197)
- ◆ Payload (CEN EN 474-3 - Rough Terrain)
- ◆ Payload (CEN EN 474-3 - Firm & Level)
- ◆ Static Tipping Load - Articulated
- ◆ Static Tipping Load - Straight
- ◆ Hydraulic Tilt Capacity
- ◆ Hydraulic Lift Capacity

NOTE: Static tipping loads and operating weight are based on the following loader configuration: Bridgestone VJT L3 Tires, Air Conditioning, Ride Control, Powertrain Guard, Full Fluids, Fuel Tank, Coolant, Lubricants, and Operator.

Specifications and ratings conform to the following standards: SAE* J1197, ISO 14397-1, CEN** EN 474-3.

The rated operating load for a loader equipped with a pallet fork is determined by:
SAE J1197: 50% of full turn static tipping load or hydraulic limit.
CEN EN 474-3: 60% of full turn static tipping load on rough terrain or hydraulic limit.
CEN EN 474-3: 80% of full turn static tipping load on firm and level ground or hydraulic limit.

*SAE - Society of Automotive Engineers
**CEN - European Committee for Standardization



WARNING: Do not exceed tine load capacity. Individual tine capacity is stamped on the side of each tine.

962 Wheel Loader Specifications

Fork Specifications

Fork Specifications

1	Tine Length	mm	1219
		in	48.0
2	Load Center	mm	610
		in	24.0
	Static Tipping Load - Straight (Forks Level)	kg	11549
		lbs	25455
	Static Tipping Load - Articulated (Forks Level)	kg	9890
		lbs	21798
	Rated Load (SAE J1197 - 50% FTSTL)	kg	4945
		lbs	10899
	Rated Load (CEN EN 474-3 Rough Terrain - 60% FTSTL)	kg	5934
		lbs	13079
	Rated Load (CEN EN 474-3 Firm and Level Ground - 80% FTSTL)	kg	7912
		lbs	17439
3	Maximum Overall Length	mm	8946
		in	352.2
4	Reach with Forks at Ground Level	mm	1332
		in	52.5
5	*Ground to Bottom of Tine at Minimum Height and Fork Level	mm	-81
		in	-3.2
6	Reach with Arms Horizontal and Forks Level	mm	1841
		in	72.5
7	Reach with Fork at Maximum Height	mm	963
		in	37.9
8	Ground to Top of Tine with Arms Horizontal and Fork Level	mm	1874
		in	73.8
9	Ground to Top of Tine at Maximum Height and Fork Level	mm	4026
		in	158.5
10	Overall Height of Fork at Full Lift (top of carriage to ground)	mm	5066
		in	199.5
11	Clearance at Full Lift and Max Dump	mm	2740
		in	107.9
12	Max Discharge Angle from Horizontal	deg	52
13	Overall Carriage Width	mm	2833
		in	111.5
14	Overall Carriage Height	mm	1130
		in	44.5
15	Outside Tine Width (max spread)	mm	2493
		in	98.1
16	Outside Tine Width (min spread)	mm	590
		in	23.2
	Tine Width (single tine)	mm	180.0
		in	7.1
	Tine Thickness	mm	90.0
		in	3.5
	Tine Capacity	kg	22200
		lbs	48929
	Operating Weight	kg	20731
		lbs	45690

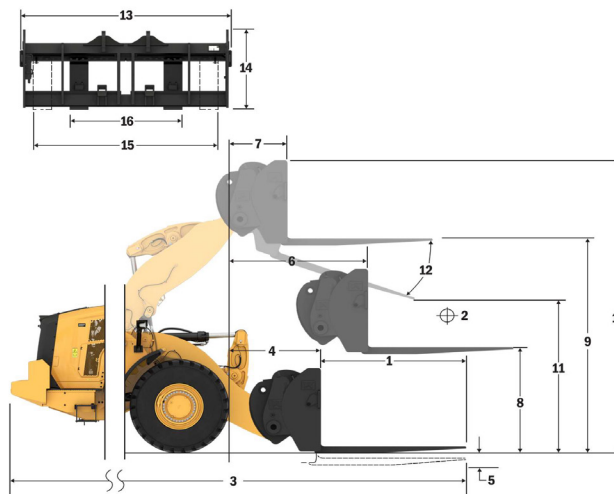
*Negative values indicate below grade

962 AGG Construction Fork, FUSION

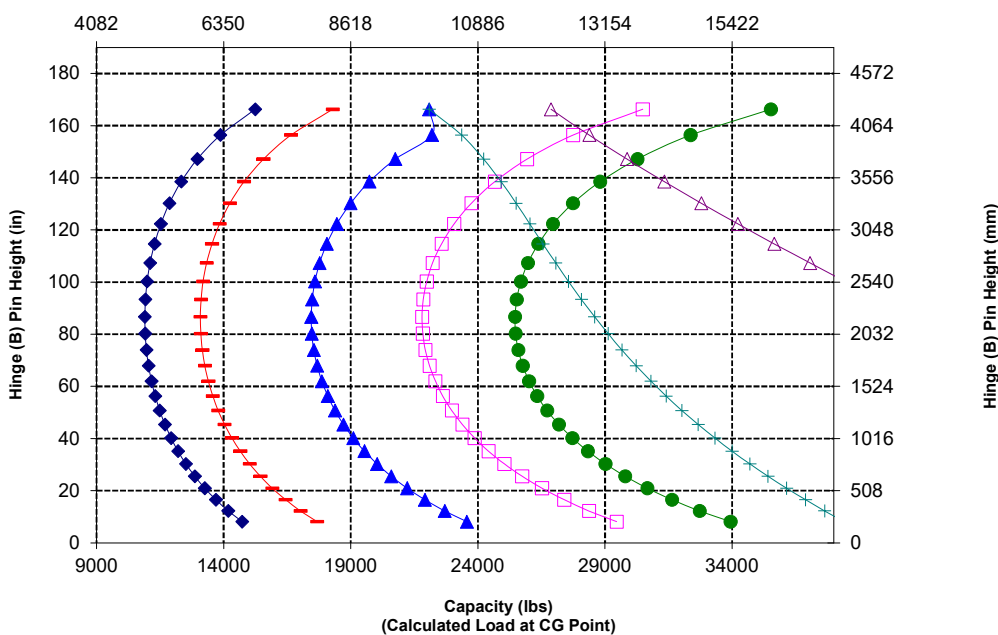
108" Carriage
520-7968

48" Tine
520-7985

*Build 14A
*Parallel Z-Bar Linkage
*Aggregate Handling Configuration



Capacity (kg)
(Calculated Load at CG Point)



WARNING: Do not exceed tine load capacity. Individual tine capacity is stamped on the side of each tine.

962 Wheel Loader Specifications

Fork Specifications

Fork Specifications

1	Tine Length	mm	1524
		in	60.0
2	Load Center	mm	762
		in	30.0
	Static Tipping Load - Straight (Forks Level)	kg	10978
		lbs	24195
	Static Tipping Load - Articulated (Forks Level)	kg	9392
		lbs	20699
	Rated Load (SAE J1197 - 50% FTSTL)	kg	4696
		lbs	10350
	Rated Load (CEN EN 474-3 Rough Terrain - 60% FTSTL)	kg	5635
		lbs	12420
	Rated Load (CEN EN 474-3 Firm and Level Ground - 80% FTSTL)	kg	7513
		lbs	16559
3	Maximum Overall Length	mm	9251
		in	364.2
4	Reach with Forks at Ground Level	mm	1333
		in	52.5
5	*Ground to Bottom of Tine at Minimum Height and Fork Level	mm	-81
		in	-3.2
6	Reach with Arms Horizontal and Forks Level	mm	1842
		in	72.5
7	Reach with Fork at Maximum Height	mm	963
		in	37.9
8	Ground to Top of Tine with Arms Horizontal and Fork Level	mm	1874
		in	73.8
9	Ground to Top of Tine at Maximum Height and Fork Level	mm	4026
		in	158.5
10	Overall Height of Fork at Full Lift (top of carriage to ground)	mm	5066
		in	199.5
11	Clearance at Full Lift and Max Dump	mm	2500
		in	98.4
12	Max Discharge Angle from Horizontal	deg	52
13	Overall Carriage Width	mm	2833
		in	111.5
14	Overall Carriage Height	mm	1130
		in	44.5
15	Outside Tine Width (max spread)	mm	2483
		in	97.8
16	Outside Tine Width (min spread)	mm	590
		in	23.2
	Tine Width (single tine)	mm	180.0
		in	7.1
	Tine Thickness	mm	90.0
		in	3.5
	Tine Capacity	kg	17800
		lbs	39231
	Operating Weight	kg	20793
		lbs	45827

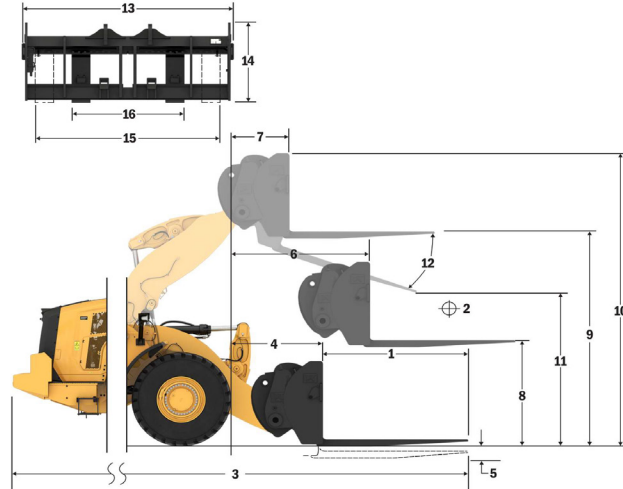
*Negative values indicate below grade

962 AGG Construction Fork, FUSION

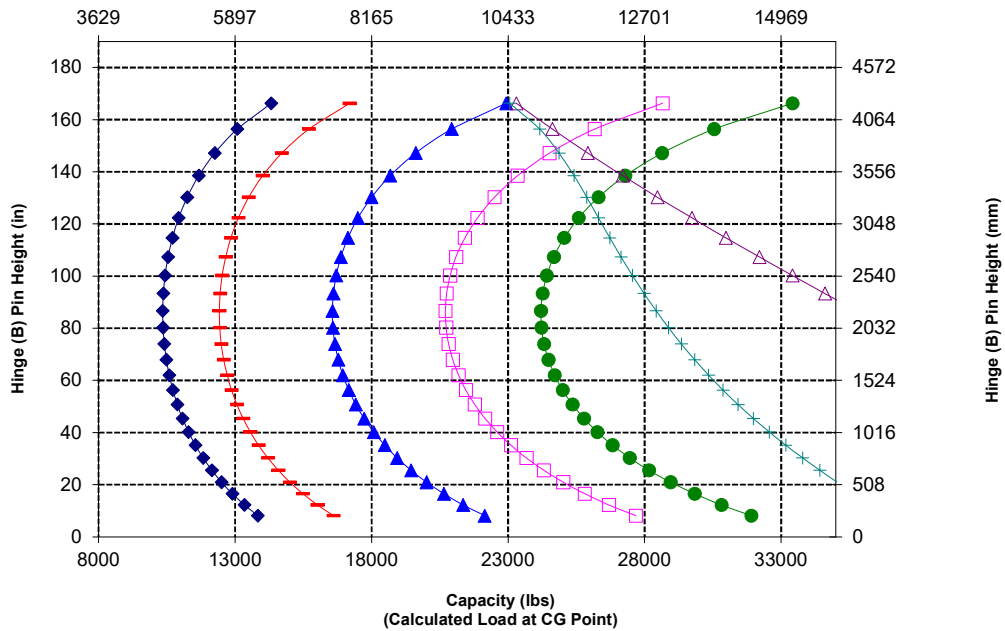
108" Carriage
520-7968

60" Tine
520-7980

*Build 14A
*Parallel Z-Bar Linkage
*Aggregate Handling Configuration



Capacity (kg)
(Calculated Load at CG Point)



NOTE: Static tipping loads and operating weight are based on the following loader configuration: Bridgestone VJL L3 Tires, Air Conditioning, Ride Control, Powertrain Guard, Full Fluids, Fuel Tank, Coolant, Lubricants, and Operator.

Specifications and ratings conform to the following standards: SAE* J1197, ISO 14397-1, CEN** EN 474-3.

The rated operating load for a loader equipped with a pallet fork is determined by:
SAE J1197: 50% of full turn static tipping load or hydraulic limit.
CEN EN 474-3: 60% of full turn static tipping load on rough terrain or hydraulic limit.
CEN EN 474-3: 80% of full turn static tipping load on firm and level ground or hydraulic limit.

*SAE - Society of Automotive Engineers
**CEN - European Committee for Standardization



WARNING: Do not exceed tine load capacity. Individual tine capacity is stamped on the side of each tine.

Fork Specifications

Fork Specifications

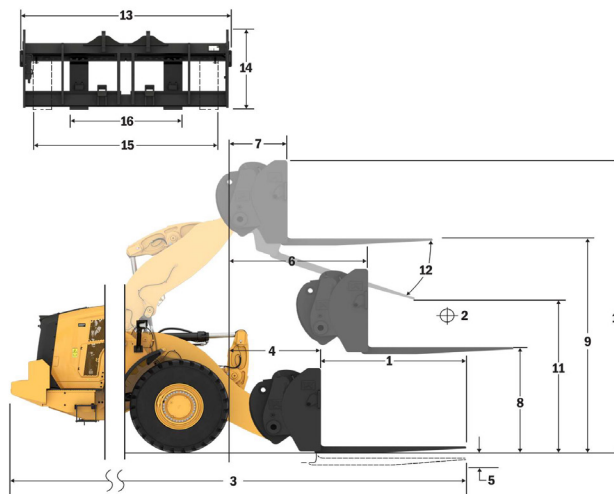
1	Tine Length	mm	1829
		in	72.0
2	Load Center	mm	915
		in	36.0
	Static Tipping Load - Straight (Forks Level)	kg	10448
		lbs	23027
	Static Tipping Load - Articulated (Forks Level)	kg	8929
		lbs	19679
	Rated Load (SAE J1197 - 50% FTSTL)	kg	4464
		lbs	9840
	Rated Load (CEN EN 474-3 Rough Terrain - 60% FTSTL)	kg	5357
		lbs	11808
	Rated Load (CEN EN 474-3 Firm and Level Ground - 80% FTSTL)	kg	7143
		lbs	15744
3	Maximum Overall Length	mm	9556
		in	376.2
4	Reach with Forks at Ground Level	mm	1333
		in	52.5
5	*Ground to Bottom of Tine at Minimum Height and Fork Level	mm	-81
		in	-3.2
6	Reach with Arms Horizontal and Forks Level	mm	1842
		in	72.5
7	Reach with Fork at Maximum Height	mm	963
		in	37.9
8	Ground to Top of Tine with Arms Horizontal and Fork Level	mm	1874
		in	73.8
9	Ground to Top of Tine at Maximum Height and Fork Level	mm	4026
		in	158.5
10	Overall Height of Fork at Full Lift (top of carriage to ground)	mm	5066
		in	199.5
11	Clearance at Full Lift and Max Dump	mm	2259
		in	88.9
12	Max Discharge Angle from Horizontal	deg	52
13	Overall Carriage Width	mm	2833
		in	111.5
14	Overall Carriage Height	mm	1130
		in	44.5
15	Outside Tine Width (max spread)	mm	2483
		in	97.8
16	Outside Tine Width (min spread)	mm	590
		in	23.2
	Tine Width (single tine)	mm	180.0
		in	7.1
	Tine Thickness	mm	90.0
		in	3.5
	Tine Capacity	kg	14800
		lbs	32619
	Operating Weight	kg	20855
		lbs	45963

*Negative values indicate below grade

962 AGG Construction Fork, FUSION

108" Carriage 72" Tine
520-7968 520-7979

*Build 14A
*Parallel Z-Bar Linkage
*Aggregate Handling Configuration

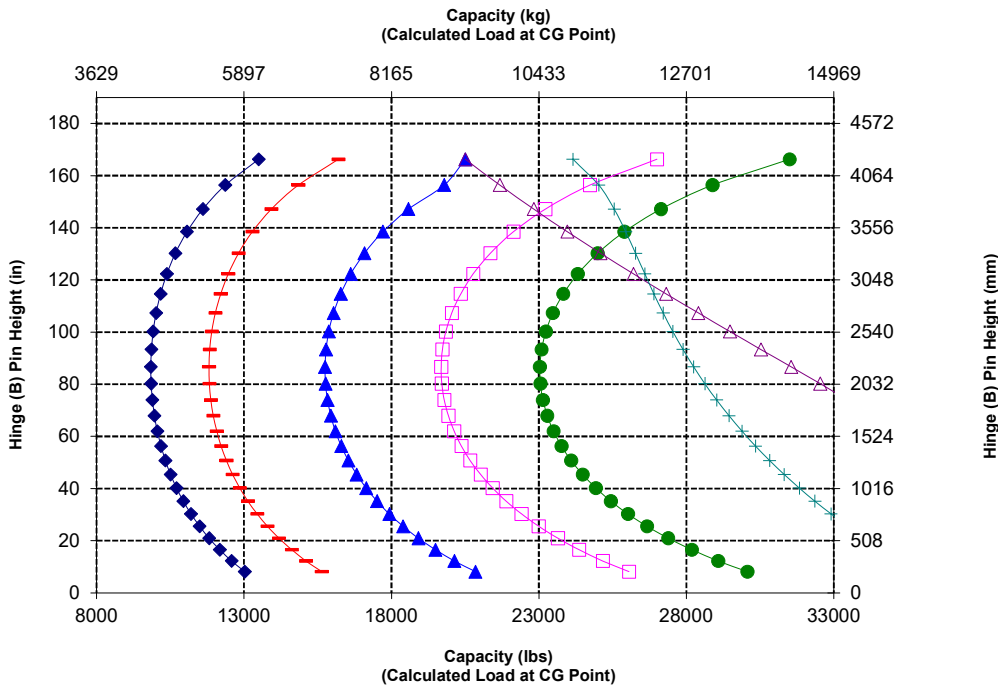


NOTE: Static tipping loads and operating weight are based on the following loader configuration: Bridgestone VJT L3 Tires, Air Conditioning, Ride Control, Powertrain Guard, Full Fluids, Fuel Tank, Coolant, Lubricants, and Operator.

Specifications and ratings conform to the following standards: SAE* J1197, ISO 14397-1, CEN** EN 474-3.

The rated operating load for a loader equipped with a pallet fork is determined by:
SAE J1197: 50% of full turn static tipping load or hydraulic limit.
CEN EN 474-3: 60% of full turn static tipping load on rough terrain or hydraulic limit.
CEN EN 474-3: 80% of full turn static tipping load on firm and level ground or hydraulic limit.

*SAE - Society of Automotive Engineers
**CEN - European Committee for Standardization



WARNING: Do not exceed tine load capacity. Individual tine capacity is stamped on the side of each tine.

962 Wheel Loader Specifications

Fork Specifications

Fork Specifications

1	Tine Length	mm	2134
		in	84.0
2	Load Center	mm	1067
		in	42.0
	Static Tipping Load - Straight (Forks Level)	kg	9956
		lbs	21944
	Static Tipping Load - Articulated (Forks Level)	kg	8499
		lbs	18732
	Rated Load (SAE J1197 - 50% FTSTL)	kg	4250
		lbs	9366
	Rated Load (CEN EN 474-3 Rough Terrain - 60% FTSTL)	kg	5100
		lbs	11239
	Rated Load (CEN EN 474-3 Firm and Level Ground - 80% FTSTL)	kg	6799
		lbs	14986
3	Maximum Overall Length	mm	9861
		in	388.2
4	Reach with Forks at Ground Level	mm	1333
		in	52.5
5	*Ground to Bottom of Tine at Minimum Height and Fork Level	mm	-81
		in	-3.2
6	Reach with Arms Horizontal and Forks Level	mm	1842
		in	72.5
7	Reach with Fork at Maximum Height	mm	963
		in	37.9
8	Ground to Top of Tine with Arms Horizontal and Fork Level	mm	1874
		in	73.8
9	Ground to Top of Tine at Maximum Height and Fork Level	mm	4026
		in	158.5
10	Overall Height of Fork at Full Lift (top of carriage to ground)	mm	5066
		in	199.5
11	Clearance at Full Lift and Max Dump	mm	2019
		in	79.5
12	Max Discharge Angle from Horizontal	deg	52
13	Overall Carriage Width	mm	2833
		in	111.5
14	Overall Carriage Height	mm	1130
		in	44.5
15	Outside Tine Width (max spread)	mm	2483
		in	97.8
16	Outside Tine Width (min spread)	mm	590
		in	23.2
	Tine Width (single tine)	mm	180.0
		in	7.1
	Tine Thickness	mm	90.0
		in	3.5
	Tine Capacity	kg	12700
		lbs	27991
	Operating Weight	kg	20917
		lbs	46100

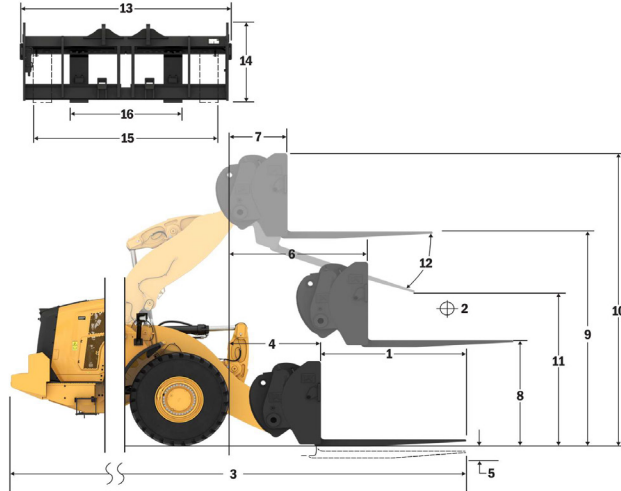
*Negative values indicate below grade

962 AGG Construction Fork, FUSION

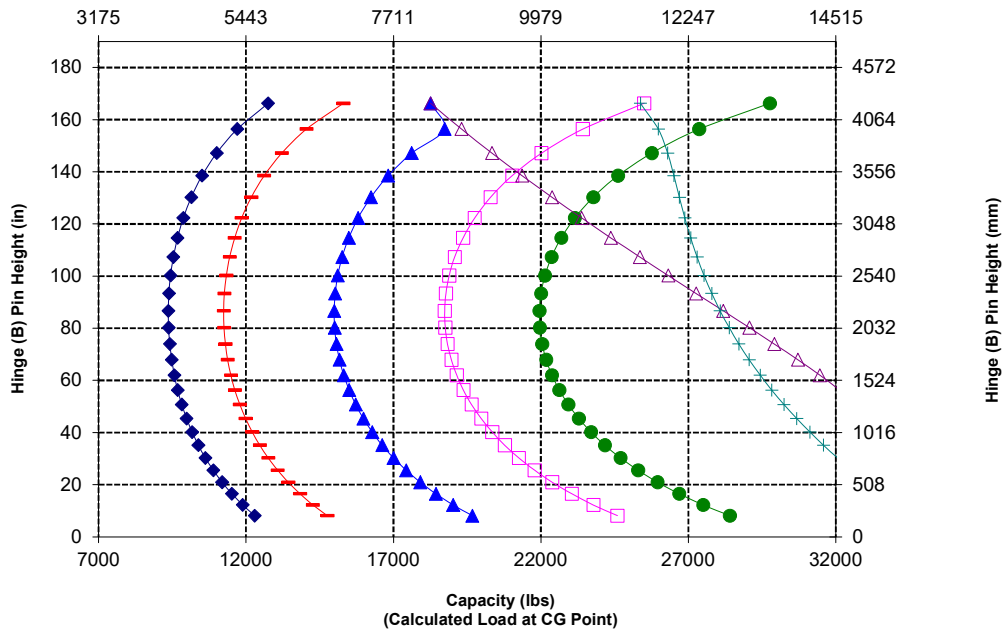
108" Carriage
520-7968

84" Tine
520-7986

*Build 14A
*Parallel Z-Bar Linkage
*Aggregate Handling Configuration



Capacity (kg)
(Calculated Load at CG Point)



NOTE: Static tipping loads and operating weight are based on the following loader configuration: Bridgestone VJL3 Tires, Air Conditioning, Ride Control, Powertrain Guard, Full Fluids, Fuel Tank, Coolant, Lubricants, and Operator.

Specifications and ratings conform to the following standards: SAE* J1197, ISO 14397-1, CEN** EN 474-3.

The rated operating load for a loader equipped with a pallet fork is determined by:
SAE J1197: 50% of full turn static tipping load or hydraulic limit.
CEN EN 474-3: 60% of full turn static tipping load on rough terrain or hydraulic limit.
CEN EN 474-3: 80% of full turn static tipping load on firm and level ground or hydraulic limit.

*SAE - Society of Automotive Engineers
**CEN - European Committee for Standardization



WARNING: Do not exceed tine load capacity. Individual tine capacity is stamped on the side of each tine.

962 Wheel Loader Specifications

Fork Specifications

Fork Specifications

1	Tine Length	mm	2438
		in	96.0
2	Load Center	mm	1219
		in	48.0
	Static Tipping Load - Straight (Forks Level)	kg	9499
		lbs	20936
	Static Tipping Load - Articulated (Forks Level)	kg	8099
		lbs	17849
	Rated Load (SAE J1197 - 50% FTSTL)	kg	4049
		lbs	8925
	Rated Load (CEN EN 474-3 Rough Terrain - 60% FTSTL)	kg	4859
		lbs	10710
	Rated Load (CEN EN 474-3 Firm and Level Ground - 80% FTSTL)	kg	6479
		lbs	14280
3	Maximum Overall Length	mm	10165
		in	400.2
4	Reach with Forks at Ground Level	mm	1333
		in	52.5
5	*Ground to Bottom of Tine at Minimum Height and Fork Level	mm	-81
		in	-3.2
6	Reach with Arms Horizontal and Forks Level	mm	1842
		in	72.5
7	Reach with Fork at Maximum Height	mm	963
		in	37.9
8	Ground to Top of Tine with Arms Horizontal and Fork Level	mm	1874
		in	73.8
9	Ground to Top of Tine at Maximum Height and Fork Level	mm	4026
		in	158.5
10	Overall Height of Fork at Full Lift (top of carriage to ground)	mm	5066
		in	199.5
11	Clearance at Full Lift and Max Dump	mm	1779
		in	70.0
12	Max Discharge Angle from Horizontal	deg	52
13	Overall Carriage Width	mm	2833
		in	111.5
14	Overall Carriage Height	mm	1130
		in	44.5
15	Outside Tine Width (max spread)	mm	2483
		in	97.8
16	Outside Tine Width (min spread)	mm	590
		in	23.2
	Tine Width (single tine)	mm	180.0
		in	7.1
	Tine Thickness	mm	90.0
		in	3.5
	Tine Capacity	kg	11300
		lbs	24905
	Operating Weight	kg	20980
		lbs	46239

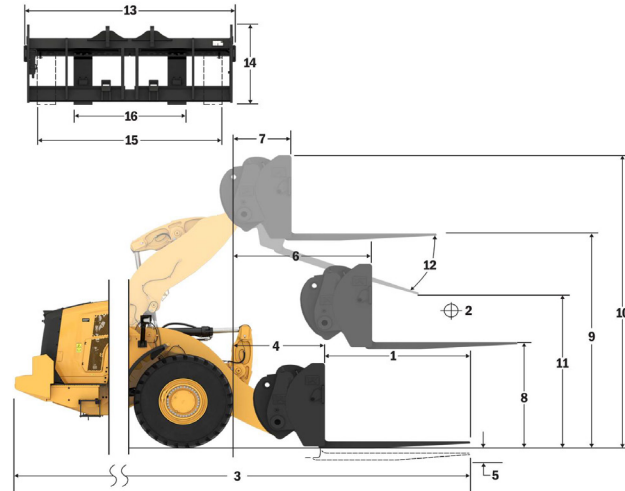
*Negative values indicate below grade

962 AGG Construction Fork, FUSION

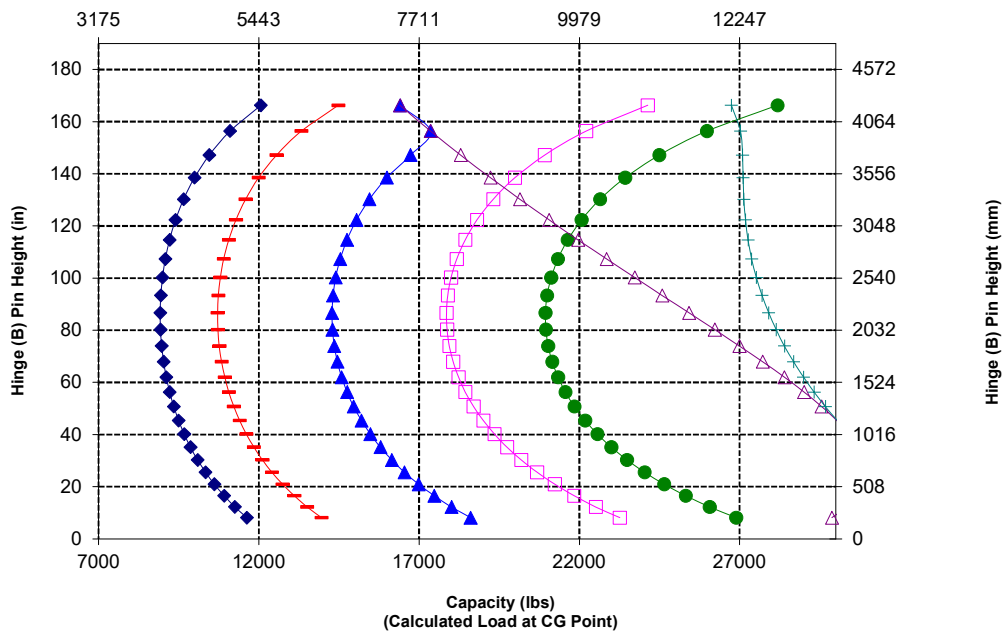
108" Carriage
520-7968

96" Tine
520-7981

*Build 14A
*Parallel Z-Bar Linkage
*Aggregate Handling Configuration



Capacity (kg)
(Calculated Load at CG Point)



NOTE: Static tipping loads and operating weight are based on the following loader configuration: Bridgestone VJL L3 Tires, Air Conditioning, Ride Control, Powertrain Guard, Full Fluids, Fuel Tank, Coolant, Lubricants, and Operator.

Specifications and ratings conform to the following standards: SAE* J1197, ISO 14397-1, CEN** EN 474-3.

The rated operating load for a loader equipped with a pallet fork is determined by:
SAE J1197: 50% of full turn static tipping load or hydraulic limit.
CEN EN 474-3: 60% of full turn static tipping load on rough terrain or hydraulic limit.
CEN EN 474-3: 80% of full turn static tipping load on firm and level ground or hydraulic limit.

*SAE - Society of Automotive Engineers
**CEN - European Committee for Standardization



WARNING: Do not exceed tine load capacity. Individual tine capacity is stamped on the side of each tine.

962 Wheel Loader Specifications

Material Handling Arm Specifications

962 AGG

289-9885

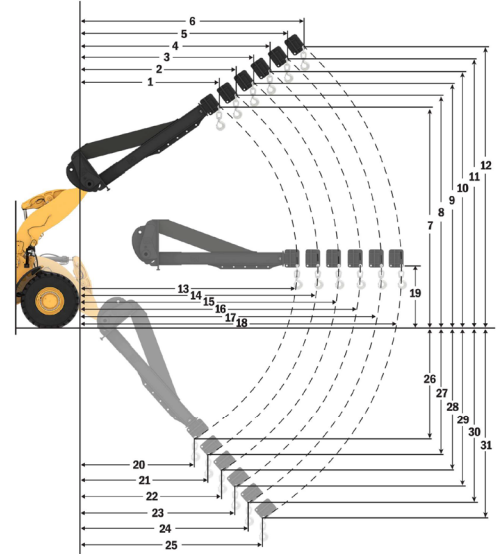
Material Handling Arm, FUSION

6 Position

MHA Specifications

	Retracted	Extension 1	Extension 2	Extension 3	Extension 4	Extended
Max Lift - Hook Eyelet Reach (1, 2, 3, 4, 5, 6)	mm 2,386	2,539	2,692	2,845	2,998	3,151
	ft, in 7' 9"	8' 3"	8' 9"	9' 4"	9' 10"	10' 4"
Max Lift - Hook Eyelet Height (7, 8, 9, 10, 11, 12)	mm 6,963	7,226	7,490	7,754	8,017	8,281
	ft, in 22' 10"	23' 8"	24' 6"	25' 5"	26' 3"	27' 2"
Level - Hook Eyelet Reach (13, 14, 15, 16, 17, 18)	mm 4,708	5,013	5,317	5,622	5,927	6,232
	ft, in 15' 5"	16' 5"	17' 5"	18' 5"	19' 5"	20' 5"
Level - Hook Eyelet Height (19)	mm 1,839	1,839	1,839	1,839	1,839	1,839
	ft, in 6' 0.3"	6' 0.3"	6' 0.3"	6' 0.3"	6' 0.3"	6' 0.3"
Min Lift - Hook Eyelet Reach (20, 21, 22, 23, 24, 25)	mm 2,511	2,688	2,866	3,043	3,221	3,399
	ft, in 8' 2"	8' 9"	9' 4"	9' 11"	10' 6"	11' 1"
Min Lift - Hook Eyelet Height (26, 27, 28, 29, 30, 31)	mm (2,614)	(2,862)	(3,109)	(3,357)	(3,605)	(3,852)
	ft, in -8' 5"	-9' 7"	-10' 9"	-11' 11"	-11' 2"	-12' 4"
Static Tipping Load, Straight	kg 7,081	6,704	6,364	6,057	5,776	5,520
	lb 15,606	14,776	14,027	13,349	12,731	12,167
Static Tipping Load, Articulated	kg 6,104	5,778	5,485	5,219	4,977	4,755
	lb 13,454	12,736	12,088	11,502	10,968	10,480
Operating Weight	kg 20,127	20,127	20,127	20,127	20,127	20,127
	lb 44,359	44,359	44,359	44,359	44,359	44,359

*Build 14A
*Parallel Z-Bar Linkage
*Aggregate Handling Configuration



- Retracted
- Extension 1
- Extension 2
- Extension 3
- Extension 4
- Extended

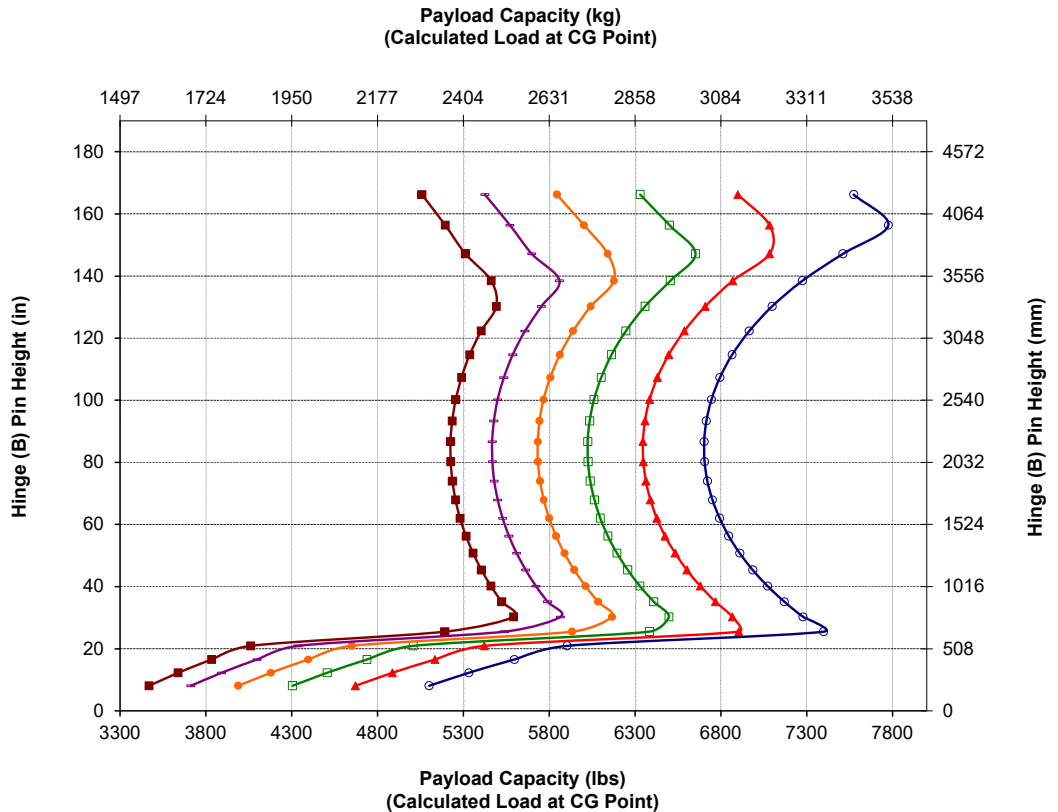
NOTE: Static tipping loads and operating weight are based on the following loader configuration: Bridgestone VJT L3 Tires, Air Conditioning, Ride Control, Powertrain Guard, Full Fluids, Fuel Tank, Coolant, Lubricants, and Operator.

Specifications and ratings conform to the following standards: SAE* J1197, ISO 14397-1

The rated operating load for a loader equipped with a material handling arm is determined by:

SAE J1197: 50% of full turn static tipping load or hydraulic limit.

*SAE - Society of Automotive Engineers



Standard and Optional Equipment

Standard and optional equipment may vary. Consult your Cat dealer for details.

	Standard	Optional		Standard	Optional
POWERTRAIN			OPERATOR ENVIRONMENT		
Cat® C7.1 engine	✓		Cab, pressurized, sound suppression	✓	
Electric fuel priming pump	✓		Door, remote opening system**		✓
Fuel-water separator and secondary fuel filter	✓		EH implement controls, parking brake	✓	
Engine, air precleaner	✓		HMU steering wheel	✓	
Turbine, air precleaner		✓	Steering, joystick		✓
Radiator, high debris		✓	Entertainment radio		✓
Cooling fan, reversible		✓	CB radio ready		✓
Axles, open/open differentials**	✓		Seat, cloth, air suspension	✓	
Axles, front differential lock**	✓		Seat, suede/cloth, air suspension, heated		✓
Axles, auto differential locks front and rear		✓	Seat, leather/cloth, air suspension, heated/cooled		✓
Axles, ecology drains, AOC ready, extreme temperature seals		✓	Touchscreen display	✓	
Axles, oil cooler		✓	Visibility: mirrors, rearview camera	✓	
Transmission, countershaft, automatic powershift	✓		Multiview (360°) vision system		✓
Torque converter with lock-up	✓		Cat Detect rear radar system		✓
Service brakes, hydraulic, fully enclosed wet disc, wear indicators	✓		Dedicated rearview screen		✓
Park brake, caliper on front axles, spring applied-pressure released	✓		Mirrors, heated		✓
ONBOARD TECHNOLOGIES			Air conditioner, heater, defroster (auto temp, fan)	✓	
Cat Payload scale	✓		Sun visor, front and rear retractable	✓	
Autodig with auto set tires	✓		Window cleaning platform, front**		✓
Operator ID and machine security	✓		Window, front, laminated		✓
Application profiles	✓		Windows, front, heavy duty		✓
Job aids	✓		Full cab window guard		✓
Controls help and eOMM	✓				
Cat Advanced Payload		✓			
Cat Payload printer		✓			

(continued on next page)

962 Wheel Loader Specifications

Standard and Optional Equipment *(continued)*

Standard and optional equipment may vary. Consult your Cat dealer for details.

	Standard	Optional		Standard	Optional
ELECTRICAL			MONITORING SYSTEM		
Starting and charging system, 24V	✓		Front dash with analog gauges, LCD display, and warning lights	✓	
Starter, electric, heavy duty	✓		Primary touchscreen monitor (Cat Payload, quad screens, machine settings and messages)	✓	
Cold start, 120V or 240V		✓	ADDITIONAL EQUIPMENT		
Lights: halogen, 4 work lights, 2 front roading lights with turn signals, 2 rearview lights	✓		Cat Autolube system		✓
Lights: LED		✓	Fenders, extensions or roading		✓
Warning beacon		✓	Guards: powertrain, crankcase, window glass, cylinders, rear		✓
Reversing strobe lights		✓	Biodegradable hydraulic oil		✓
HYDRAULICS			High-speed oil change system		✓
Implement system, load sensing with variable displacement piston pump	✓		Rear cab access		✓
Steering system, load sensing with dedicated variable displacement piston pump	✓		Toolbox		✓
Ride control, dual accumulators**		✓	Wheel chocks		✓
3 rd and 4 th auxiliary functions with ride control		✓	Secondary steering system, electrical**		✓
Oil sampling valves, Cat XT™ hoses	✓		SPECIAL CONFIGURATIONS*		
Quick coupler control		✓	Aggregate handler counterweight		✓
LINKAGE			Waste and industrial		✓
Parallel lift, Z-bar	✓		Forestry		✓
High lift		✓	Corrosion resistant		✓
Kickouts: lift and tilt	✓				

* Not all configurations available in all regions, subject to availability.

** Standard or optional depending on region. Consult your dealer.

The following information applies to the machine at the time of final manufacture as configured for sale in the regions covered in this document. The content of this declaration is valid as of the date issued; however, content related to machine features and specifications are subject to change without notice. For additional information, please see the machine's Operation and Maintenance Manual.

For more information on sustainability in action and our progress, please visit <https://www.caterpillar.com/en/company/sustainability.html>.

Engine

- The Cat® C7.1 engine meets U.S. EPA Tier 4 Final, EU Stage V, and Japan 2014 emission standards or Brazil MAR-1 and UN ECE R96 Stage IIIA emission standards, equivalent to U.S. EPA Tier 3 and EU Stage IIIA.
- Cat U.S. EPA Tier 4 Final, EU Stage V, Korea Stage V, China Nonroad Stage IV, Japan 2014 engines are required to use ULSD (ultra-low sulfur diesel fuel with 15 ppm of sulfur or less) or ULSD blended with the following lower-carbon intensity fuels up to:
 - ✓ 20% biodiesel FAME (fatty acid methyl ester)*
 - ✓ 100% renewable diesel, HVO (hydrotreated vegetable oil) and GTL (gas-to-liquid) fuels
- Cat engines meeting Brazil MAR-1 and UN ECE R96 Stage IIIA emission standards, equivalent to U.S. EPA Tier 3 and EU Stage IIIA, are compatible with diesel fuel blended with the following lower-carbon intensity fuels up to:
 - ✓ 100% biodiesel FAME (fatty acid methyl ester)**
 - ✓ 100% renewable diesel, HVO (hydrotreated vegetable oil) and GTL (gas-to-liquid) fuels

Refer to guidelines for successful application. Please consult your Cat dealer or "Caterpillar Machine Fluids Recommendations" (SEBU6250) for details.

*Engines with no aftertreatment devices can use higher blends, up to 30% biodiesel where mandated.

** For use of blends higher than 20% biodiesel, consult your Cat dealer.

Air Conditioning System

The air conditioning system on this machine contains the fluorinated greenhouse gas refrigerant R134a (Global Warming Potential = 1430). The system contains 1.6 kg (3.5 lb) of refrigerant, which has a CO₂ equivalent of 2.288 metric tonnes (2.522 tons).

Paint

- Based on best available knowledge, the maximum allowable concentration, measured in parts per million (PPM), of the following heavy metals in paint are:
 - Barium < 0.01%
 - Cadmium < 0.01%
 - Chromium < 0.01%
 - Lead < 0.01%

Sound

Operator Sound Pressure Level (ISO 6396:2008)	70 dB(A)
Exterior Sound Power Level (ISO 6395:2008)	107 dB(A)
Operator Sound Pressure Level (ISO 6396:2008)*	69 dB(A)
Exterior Sound Power Level (ISO 6395:2008)**	104 dB(A)

* Including countries that adopt the EU and UK directives.

** European Union Noise Directive 2000/14/EC and UK Noise Regulation 2001 No. 1701.

Oils and Fluids

- Caterpillar factory fills with ethylene glycol coolants. Cat Diesel Engine Antifreeze/Coolant (DEAC) and Cat Extended Life Coolant (ELC) can be recycled. Consult your Cat dealer for more information.
- Cat Bio HYDO Advanced is an EU Ecolabel approved biodegradable hydraulic oil.
- Additional fluids are likely to be present, please consult the Operations and Maintenance Manual or the Application and Installation guide for complete fluid recommendations and maintenance intervals.

Features and Technology

- The following features and technology may contribute to fuel savings and/or carbon reduction. Features may vary. Consult your Cat dealer for details.
 - Autodig with auto set tires provides consistent high bucket fill factors for up to 10% more productivity
 - 5-speed advanced powershift transmission, including a lock-up clutch torque converter, delivers smooth shifting, fast acceleration, and speed on grade, amplifying your performance and fuel efficiency
 - Reliable fuel systems boost machine performance and fuel economy, lowering overall costs and fuel consumption
 - Automatic engine idle shutdown system reduces idle hours
 - Extended maintenance intervals reduce fluid and filter consumption
 - Remote Flash and Remote Troubleshoot

Recycling

- The materials included in machines are categorized as below with approximate weight percentage. Because of variations of product configurations, the following values in the table may vary.

Material Type	Weight Percentage
Steel	71.50%
Iron	12.37%
Nonferrous Metal	2.29%
Mixed Metal	0.57%
Mixed Metal and Nonmetal	0.57%
Plastic	1.10%
Rubber	6.09%
Mixed Nonmetallic	0.03%
Fluid	2.57%
Other	2.91%
Uncategorized	0.00%
Total	100%

- A machine with higher recyclability rate will ensure more efficient usage of valuable natural resources and enhance end-of-life value of the product. According to ISO 16714 (Earthmoving machinery – Recyclability and recoverability – Terminology and calculation method), recyclability rate is defined as percentage by mass (mass fraction in percent) of the new machine potentially able to be recycled, reused or both.

All parts in the bill of material are first evaluated by component type based on a list of components defined by the ISO 16714 and Japan CEMA (Construction Equipment Manufacturers Association) standards. Remaining parts are further evaluated for recyclability based on material type.

Because of variations of product configurations, the following value in the table may vary.

Recyclability – 98%



962

Waste & Scrap Handler

The Cat 962 Wheel Loader Waste and Scrap Handler package features guarding and reinforcement necessary for work in transfer stations, recycling depots, scrap yards, and demolition sites.

Proven Reliability

- Cat C7.1 engine offers high power density with a combination of proven electronics, fuel, and air systems.
- Equipped with automatic Cat regeneration system, Cat Clean Emissions Module (CEM) with diesel particulate filter (DPF), and diesel exhaust fluid (DEF) tank and pump.
- Thorough component design and machine validation processes result in unmatched reliability and uptime.

Durability

- Waste and scrap handler package adds additional steel guards all around the machine to protect your investment and keep debris out of the implement valve and engine compartments.
- Heavy-duty steel cable lower steps stand up to the harshest of conditions.
- Heavy-duty transmission and axles designed to handle waste and scrap applications.
- Automatic countershaft powershift (5F/3R) transmission features durable, long-lasting components.

Achieve Greater Fuel Efficiency and Productivity

- Optional high lift linkage provides additional dump clearance.
- Optional 3rd and 4th valve hydraulics for work tools that require additional functions.
- Optional variable pitch fan and high debris cooling cores keep the cores free from debris.
- Five-speed transmission and lock-up clutch torque converter, powertrains deliver smooth shifting, fast acceleration, and speed on grade for greater performance and fuel efficiency.
- Deeply integrated engine, powertrain, and hydraulic systems deliver unmatched productivity and fuel efficiency.

Safety Features

- Rear-vision camera enhances visibility behind the machine, helping you work safely and confidently.
- Cab access with wide door, optional remote door opening, and inclined steps add solid stability.
- Floor-to-ceiling windshield, large mirrors with integrated spot mirrors, and rear-vision camera provide industry leading all-around visibility.
- Monitored seat belt is standard and can be enhanced with an optional exterior indicator.

- Optional multiview (360°) vision system helps the operator monitor the surroundings of the machine at all times.
- Optional Cat Detect radar technology enhances awareness by monitoring the working environment and alerts operators to hazards.
- Optional access light and under-hood service light system to provide illuminated access to the machine and daily checks even in the dark.

Reduced Maintenance Time and Costs

- Extended fluid and filter change intervals reduce maintenance costs by up to 30%.*
- Optional turbine engine air precleaner improves air filter life.
- Remote Troubleshoot can connect the machine to the dealer service department to help diagnose problems quickly so you can get back to work.
- Remote Flash works around your schedule to ensure your machine's software is up to date for optimal performance.
- One-piece tilting hood makes engine compartment access fast and easy.
- Optional integrated autolube extends component and service life.

Work in Comfort in the All New Cab

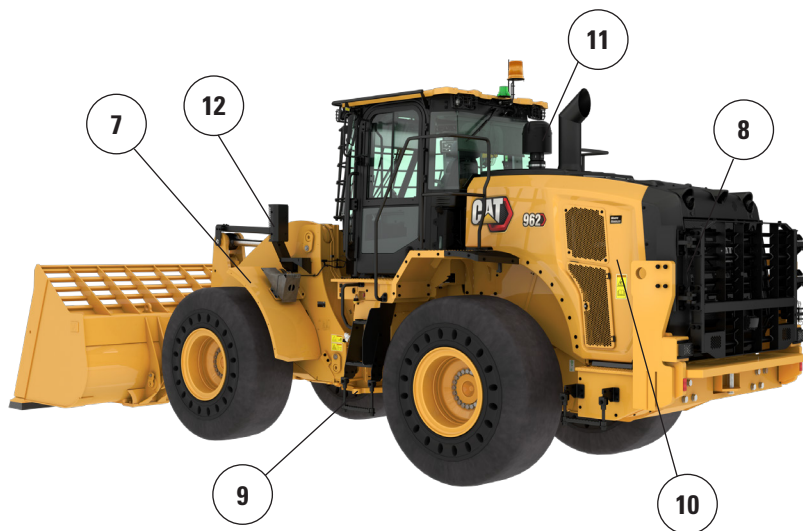
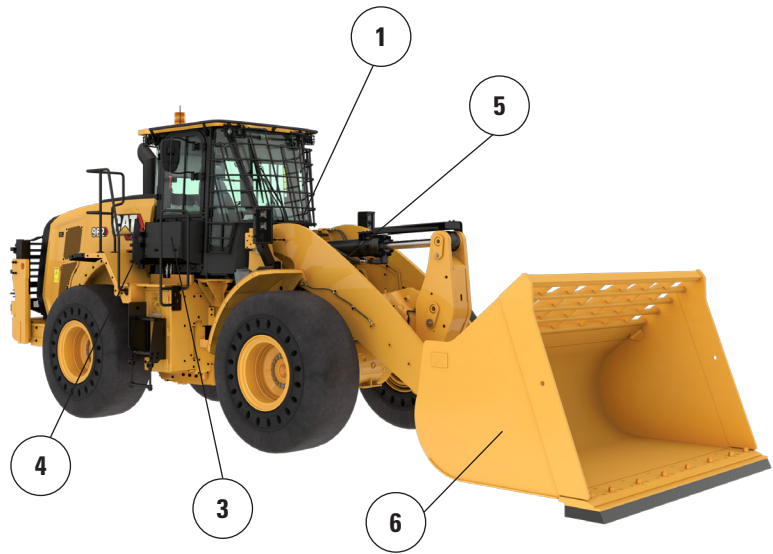
- Carbon cab air filter reduces cabin odors.
- Optional powered cabin precleaner filters the incoming air and pressurizes the cab.
- Next-generation, easily adjustable seat and suspension for improved operator comfort. It comes in three trim levels and can be equipped with a 4-point harness (kit).
- New in-cab dashboard and high-resolution touch display(s) are easy to use, intuitive, and user friendly.
- Sound suppression, seals, and viscous cab mounts decrease noise and vibration for a quieter work environment.
- The seat-mounted electro-hydraulic joystick steering system provides precision control and dramatically reduces arm fatigue, resulting in excellent comfort and accuracy. Standard in North America and optional in all other regions.
- The hydraulic metering unit (HMU) steering wheel provides precision control, resulting in excellent comfort and accuracy. Standard in all regions except North America. Limited optional availability for North America, consult your Cat dealer.

**Parts and fluids only.*

962 Waste & Scrap Handler Specifications

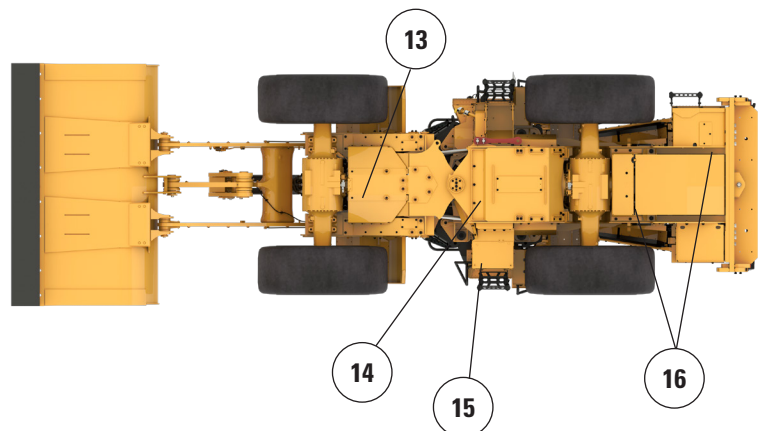
962 Waste and Scrap Handler Features

1. Optional window guarding to provide impact resistance to the glass
2. Added steel guards include crankcase, powertrain, front frame, hitch, steering cylinder, service center, cab, platform, implement valve cover, and tilt cylinder
3. Carbon cab air filter removes harsh odors
4. Optional powered cab precleaner helps to improve cab filter life and keeps the cab pressurized
5. Optional 3rd and 4th valve hydraulics available to control a large variety of work tools
6. Large line of Cat waste and scrap work tools



7. Narrow front steel fenders help to keep the windshield clean and are set inboard of the outer edge of the tire for added protection
8. Optional rear guard protects the rear grill and cooling package from impact
9. Heavy-duty steel cable lower steps stand up to the harshest conditions
10. Optional variable pitch fan and high debris cooling cores help to keep the cooling package clean
11. Optional turbine engine air precleaner with a trash screen option helps to extend engine air filter life
12. Front lights are guarded and positioned close to the frame for added protection

13. Lower front frame guard protects vital drivetrain components and keeps trash from getting in the front frame compartment
14. Powertrain guard protects the transmission and helps keep trash out of the engine compartment
15. Lower hydraulic service center guard protects the transmission filter and keeps trash out of the service center
16. Rear crankcase and platform guards keep trash and debris out



962 Waste & Scrap Handler Specifications

Tire Options

Tire Brand	BRAWLER	BRAWLER	BRIDGESTONE	MAXAM	MICHELIN
Tire Size	23.5X25	23.5X25	23.5R25	23.5R25	23.5R25
Tread Type	N/A	N/A	L-3	L-3	L-3
Tread Pattern	SMOOTH	TRACTION	VJT	MS302	XHA2
Casing Strength	SOLID	SOLID	*	**	*
Width over Tires – Maximum (empty)*	2140 mm 7'1"	2140 mm 7'1"	2804 mm 9'3"	2825 mm 9'4"	2823 mm 9'4"
Width over Tires – Maximum (loaded)*	2140 mm 7'1"	2140 mm 7'1"	2825 mm 9'4"	2829 mm 9'4"	2830 mm 9'4"
Change in Vertical Dimensions (average of front and rear)		0 mm 0"	-71 mm -2.8"	-54 mm -2.1"	-61 mm -2.4"
Change in Horizontal Reach		0 mm 0"	15 mm 0.6"	1 mm 0"	9 mm 0.4"
Change in Clearance Circle to Outside of Tires		0 mm 0"	685 mm 27.0"	689 mm 27.1"	690 mm 27.2"
Change in Clearance Circle to Inside of Tires		0 mm 0"	-685 mm -27.0"	-689 mm -27.1"	-690 mm -27.2"
Change in Operating Weight (without ballast)		-144 kg -318 lb	-3208 kg -7,074 lb	-3208 kg -7,074 lb	-3364 kg -7,418 lb
Change in Static Tipping Load – Straight		-96 kg -212 lb	-2037 kg -4,492 lb	-2037 kg -4,492 lb	-2136 kg -4,710 lb
Change in Static Tipping Load – Articulated		-84 kg -185 lb	-1780 kg -3,926 lb	-1780 kg -3,926 lb	-1867 kg -4,117 lb
Rear Axle Oscillation Angle	±8 degrees	±8 degrees	±13 degrees	±13 degrees	±13 degrees
Maximum Single-Wheel Rise and Fall	298 mm 1'0"	298 mm 1'0"	481 mm 1'7"	481 mm 1'7"	481 mm 1'7"

*Width over tire bulge and includes tire growth.

962 Waste & Scrap Handler Specifications

Operating Specifications – Buckets

Linkage		Standard Linkage					
Bucket Type		General Purpose – Pin-On					
Edge Type		Bolt-On Cutting Edges	Teeth and Segments	Tips	Bolt-On Cutting Edges	Teeth and Segments	Tips
Capacity – Rated	m ³	3.10	3.10	2.90	3.40	3.40	3.20
	yd ³	4.00	4.00	3.75	4.50	4.50	4.25
Capacity – Rated at 110% Fill Factor	m ³	3.40	3.40	3.20	3.70	3.70	3.50
	yd ³	4.50	4.50	4.25	4.75	4.75	4.50
Width	mm	2927	2994	2994	2927	2994	2994
	ft/in	9'7"	9'9"	9'9"	9'7"	9'9"	9'9"
16† Dump Clearance at Maximum Lift and 45° Discharge	mm	3146	3028	3028	3089	2970	2970
	ft/in	10'3"	9'11"	9'11"	10'1"	9'8"	9'8"
17† Reach at Maximum Lift and 45° Discharge	mm	1354	1465	1465	1397	1507	1507
	ft/in	4'5"	4'9"	4'9"	4'7"	4'11"	4'11"
Reach at Level Lift Arm and Bucket Level	mm	2777	2938	2938	2850	3011	3011
	ft/in	9'1"	9'7"	9'7"	9'4"	9'10"	9'10"
A† Digging Depth	mm	35	35	5	35	35	5
	in	1.4"	1.4"	0.2"	1.4"	1.4"	0.2"
12† Overall Length	mm	8445	8619	8619	8518	8692	8692
	ft/in	27'9"	28'4"	28'4"	28'0"	28'7"	28'7"
B† Overall Height with Bucket at Maximum Lift	mm	5795	5795	5795	5866	5866	5866
	ft/in	19'1"	19'1"	19'1"	19'3"	19'3"	19'3"
Loader Clearance Circle Radius with Bucket at Carry Position	mm	6783	6869	6869	6805	6892	6892
	ft/in	22'4"	22'7"	22'7"	22'4"	22'8"	22'8"
Static Tipping Load, Straight (No tire deflection)	kg	15 448	15 308	15 618	15 274	15 132	15 437
	lb	34,059	33,748	34,432	33,675	33,361	34,034
Static Tipping Load, Articulated (No tire deflection)	kg	13 485	13 344	13 634	13 319	13 177	13 462
	lb	29,730	29,419	30,058	29,364	29,051	29,679
Breakout Force (§)	kN	196	195	213	185	184	200
	lbf	44,188	43,967	48,064	41,627	41,406	45,080
Operating Weight*	kg	23 117	23 225	23 068	23 211	23 319	23 162
	lb	50,965	51,203	50,856	51,170	51,409	51,062

* Static tipping loads and operating weights shown are based on a machine configuration with Brawler 23.5X25 Smooth solid tires, full fluids, operator, cab precleaner, fabricated counterweight with rear guard (1460 kg), flat window glass with front guard, industrial package, ride control, standard starting, narrow fenders, turbine engine precleaner, Product Link, auto diff lock axles (front/rear), powertrain guard, standard steering, industrial sound suppression and variable pitch fan.

† Illustration shown with Dimension charts.

(§) Measured 100 mm (4") behind tip of cutting edge with bucket hinge pin as pivot point in accordance with ISO 14397-2:2007.

(With tire deflection) Full compliance to ISO 14397-1:2007 Sections 1 thru 6, which requires 2% verification between calculations and testing.

(No tire deflection) Compliance to ISO 14397-1:2007 Sections 1 thru 5.

Other buckets are available and offerings vary by region. Consult your local Cat dealer for further details.

962 Waste & Scrap Handler Specifications

Operating Specifications – Buckets (continued)

Linkage		Standard Linkage					
Bucket Type		General Purpose – Pin-On					
Edge Type		Bolt-On Cutting Edges	Teeth and Segments	Tips	Bolt-On Cutting Edges	Teeth and Segments	Tips
Capacity – Rated	m ³	3.60	3.60	3.40	3.80	3.80	3.60
	yd ³	4.75	4.75	4.50	5.00	5.00	4.75
Capacity – Rated at 110% Fill Factor	m ³	4.00	4.00	3.70	4.20	4.20	4.00
	yd ³	5.25	5.25	4.75	5.50	5.50	5.25
Width	mm	2927	2994	2994	2927	2994	2994
	ft/in	9'7"	9'9"	9'9"	9'7"	9'9"	9'9"
16† Dump Clearance at Maximum Lift and 45° Discharge	mm	3063	2943	2943	3028	2908	2908
	ft/in	10'0"	9'7"	9'7"	9'11"	9'6"	9'6"
17† Reach at Maximum Lift and 45° Discharge	mm	1419	1528	1528	1448	1557	1557
	ft/in	4'7"	5'0"	5'0"	4'9"	5'1"	5'1"
Reach at Level Lift Arm and Bucket Level	mm	2885	3046	3046	2931	3092	3092
	ft/in	9'5"	9'11"	9'11"	9'7"	10'1"	10'1"
A† Digging Depth	mm	35	35	5	35	35	5
	in	1.4"	1.4"	0.2"	1.4"	1.4"	0.2"
12† Overall Length	mm	8553	8727	8727	8599	8773	8773
	ft/in	28'1"	28'8"	28'8"	28'3"	28'10"	28'10"
B† Overall Height with Bucket at Maximum Lift	mm	5900	5900	5900	5947	5947	5947
	ft/in	19'5"	19'5"	19'5"	19'7"	19'7"	19'7"
Loader Clearance Circle Radius with Bucket at Carry Position	mm	6816	6903	6903	6830	6918	6918
	ft/in	22'5"	22'8"	22'8"	22'5"	22'9"	22'9"
Static Tipping Load, Straight (No tire deflection)	kg	15 199	15 056	15 357	15 092	14 949	15 245
	lb	33,508	33,193	33,857	33,273	32,957	33,610
Static Tipping Load, Articulated (No tire deflection)	kg	13 248	13 105	13 386	13 147	13 003	13 280
	lb	29,207	28,892	29,512	28,985	28,668	29,278
Breakout Force (§)	kN	180	179	194	173	172	187
	lbf	40,500	40,278	43,774	39,095	38,872	42,155
Operating Weight*	kg	23 247	23 355	23 198	23 302	23 410	23 253
	lb	51,251	51,489	51,143	51,371	51,610	51,263

* Static tipping loads and operating weights shown are based on a machine configuration with Brawler 23.5X25 Smooth solid tires, full fluids, operator, cab precleaner, fabricated counterweight with rear guard (1460 kg), flat window glass with front guard, industrial package, ride control, standard starting, narrow fenders, turbine engine precleaner, Product Link, auto diff lock axles (front/rear), powertrain guard, standard steering, industrial sound suppression and variable pitch fan.

† Illustration shown with Dimension charts.

(§) Measured 100 mm (4") behind tip of cutting edge with bucket hinge pin as pivot point in accordance with ISO 14397-2:2007.

(With tire deflection) Full compliance to ISO 14397-1:2007 Sections 1 thru 6, which requires 2% verification between calculations and testing.

(No tire deflection) Compliance to ISO 14397-1:2007 Sections 1 thru 5.

Other buckets are available and offerings vary by region. Consult your local Cat dealer for further details.

962 Waste & Scrap Handler Specifications

Operating Specifications – Buckets (continued)

Linkage		Standard Linkage					
Bucket Type		General Purpose – Hook-On – Fusion					
Edge Type		Bolt-On Cutting Edges	Teeth and Segments	Tips	Bolt-On Cutting Edges	Teeth and Segments	Tips
Capacity – Rated	m ³	3.10	3.10	2.90	3.40	3.40	3.20
	yd ³	4.00	4.00	3.75	4.50	4.50	4.25
Capacity – Rated at 110% Fill Factor	m ³	3.40	3.40	3.20	3.70	3.70	3.50
	yd ³	4.50	4.50	4.25	4.75	4.75	4.50
Width	mm	2927	2994	2994	2927	2994	2994
	ft/in	9'7"	9'9"	9'9"	9'7"	9'9"	9'9"
16† Dump Clearance at Maximum Lift and 45° Discharge	mm	3106	2988	2988	3049	2930	2930
	ft/in	10'2"	9'9"	9'9"	10'0"	9'7"	9'7"
17† Reach at Maximum Lift and 45° Discharge	mm	1399	1510	1510	1442	1552	1552
	ft/in	4'7"	4'11"	4'11"	4'8"	5'1"	5'1"
Reach at Level Lift Arm and Bucket Level	mm	2837	2998	2998	2910	3071	3071
	ft/in	9'3"	9'10"	9'10"	9'6"	10'0"	10'0"
A† Digging Depth	mm	35	35	5	35	35	5
	in	1.4"	1.4"	0.2"	1.4"	1.4"	0.2"
12† Overall Length	mm	8505	8679	8679	8578	8752	8752
	ft/in	27'11"	28'6"	28'6"	28'2"	28'9"	28'9"
B† Overall Height with Bucket at Maximum Lift	mm	5828	5828	5828	5900	5900	5900
	ft/in	19'2"	19'2"	19'2"	19'5"	19'5"	19'5"
Loader Clearance Circle Radius with Bucket at Carry Position	mm	6797	6884	6884	6820	6908	6908
	ft/in	22'4"	22'8"	22'8"	22'5"	22'8"	22'8"
Static Tipping Load, Straight (No tire deflection)	kg	14 822	14 682	15 039	14 680	14 539	14 893
	lb	32,678	32,369	33,156	32,366	32,053	32,834
Static Tipping Load, Articulated (No tire deflection)	kg	12 889	12 749	13 086	12 755	12 613	12 948
	lb	28,416	28,106	28,849	28,120	27,808	28,546
Breakout Force (§)	kN	187	186	202	176	175	190
	lbf	42,081	41,859	45,605	39,754	39,532	42,911
Operating Weight*	kg	23 587	23 695	23 538	23 657	23 765	23 608
	lb	52,000	52,238	51,892	52,154	52,392	52,046

* Static tipping loads and operating weights shown are based on a machine configuration with Brawler 23.5X25 Smooth solid tires, full fluids, operator, cab precleaner, fabricated counterweight with rear guard (1460 kg), flat window glass with front guard, industrial package, ride control, standard starting, narrow fenders, turbine engine precleaner, Product Link, auto diff lock axles (front/rear), powertrain guard, standard steering, industrial sound suppression and variable pitch fan.

† Illustration shown with Dimension charts.

(§) Measured 100 mm (4") behind tip of cutting edge with bucket hinge pin as pivot point in accordance with ISO 14397-2:2007.

(With tire deflection) Full compliance to ISO 14397-1:2007 Sections 1 thru 6, which requires 2% verification between calculations and testing.

(No tire deflection) Compliance to ISO 14397-1:2007 Sections 1 thru 5.

Other buckets are available and offerings vary by region. Consult your local Cat dealer for further details.

962 Waste & Scrap Handler Specifications

Operating Specifications – Buckets *(continued)*

Linkage		Standard Linkage					
Bucket Type		General Purpose – Hook-On – Fusion					
Edge Type		Bolt-On Cutting Edges	Teeth and Segments	Tips	Bolt-On Cutting Edges	Teeth and Segments	Tips
Capacity – Rated	m ³	3.60	3.60	3.40	3.80	3.80	3.60
	yd ³	4.75	4.75	4.50	5.00	5.00	4.75
Capacity – Rated at 110% Fill Factor	m ³	4.00	4.00	3.70	4.20	4.20	4.00
	yd ³	5.25	5.25	4.75	5.50	5.50	5.25
Width	mm	2927	2994	2994	2927	2994	2994
	ft/in	9'7"	9'9"	9'9"	9'7"	9'9"	9'9"
16† Dump Clearance at Maximum Lift and 45° Discharge	mm	3023	2903	2903	2988	2868	2868
	ft/in	9'11"	9'6"	9'6"	9'9"	9'4"	9'4"
17† Reach at Maximum Lift and 45° Discharge	mm	1464	1573	1573	1493	1602	1602
	ft/in	4'9"	5'1"	5'1"	4'10"	5'3"	5'3"
Reach at Level Lift Arm and Bucket Level	mm	2945	3106	3106	2991	3152	3152
	ft/in	9'7"	10'2"	10'2"	9'9"	10'4"	10'4"
A† Digging Depth	mm	35	35	5	35	35	5
	in	1.4"	1.4"	0.2"	1.4"	1.4"	0.2"
12† Overall Length	mm	8613	8787	8787	8659	8833	8833
	ft/in	28'4"	28'10"	28'10"	28'5"	29'0"	29'0"
B† Overall Height with Bucket at Maximum Lift	mm	5934	5934	5934	5981	5981	5981
	ft/in	19'6"	19'6"	19'6"	19'8"	19'8"	19'8"
Loader Clearance Circle Radius with Bucket at Carry Position	mm	6831	6919	6919	6846	6934	6934
	ft/in	22'5"	22'9"	22'9"	22'6"	22'9"	22'9"
Static Tipping Load, Straight (No tire deflection)	kg	14 610	14 468	14 821	14 517	14 374	14 726
	lb	32,210	31,896	32,675	32,006	31,690	32,466
Static Tipping Load, Articulated (No tire deflection)	kg	12 688	12 546	12 880	12 601	12 458	12 791
	lb	27,974	27,660	28,396	27,781	27,465	28,199
Breakout Force(§)	kN	172	171	185	166	165	179
	lbf	38,718	38,496	41,719	37,428	37,205	40,241
Operating Weight*	kg	23 691	23 799	23 642	23 736	23 844	23 687
	lb	52,229	52,468	52,121	52,329	52,567	52,221

* Static tipping loads and operating weights shown are based on a machine configuration with Brawler 23.5X25 Smooth solid tires, full fluids, operator, cab precleaner, fabricated counterweight with rear guard (1460 kg), flat window glass with front guard, industrial package, ride control, standard starting, narrow fenders, turbine engine precleaner, Product Link, auto diff lock axles (front/rear), powertrain guard, standard steering, industrial sound suppression and variable pitch fan.

† Illustration shown with Dimension charts.

(§) Measured 100 mm (4") behind tip of cutting edge with bucket hinge pin as pivot point in accordance with ISO 14397-2:2007.

(With tire deflection) Full compliance to ISO 14397-1:2007 Sections 1 thru 6, which requires 2% verification between calculations and testing.

(No tire deflection) Compliance to ISO 14397-1:2007 Sections 1 thru 5.

Other buckets are available and offerings vary by region. Consult your local Cat dealer for further details.

Operating Specifications – Buckets *(continued)*

Linkage		Standard Linkage
Bucket Type		High Dump – Hook-On – Fusion
Edge Type		Bolt-On Cutting Edges
Capacity – Rated	m ³	6.10
	yd ³	8.00
Capacity – Rated at 110% Fill Factor	m ³	6.70
	yd ³	8.75
Width	mm	2910
	ft/in	9'6"
16† Dump Clearance at Maximum Lift and 45° Discharge	mm	2607
	ft/in	8'6"
17† Reach at Maximum Lift and 45° Discharge	mm	1661
	ft/in	5'5"
Reach at Level Lift Arm and Bucket Level	mm	3393
	ft/in	11'1"
A† Digging Depth	mm	102
	in	4"
12† Overall Length	mm	9110
	ft/in	29'11"
B† Overall Height with Bucket at Maximum Lift	mm	6356
	ft/in	20'11"
Loader Clearance Circle Radius with Bucket at Carry Position	mm	6998
	ft/in	23'0"
Static Tipping Load, Straight (No tire deflection)	kg	12 552
	lb	27,672
Static Tipping Load, Articulated (No tire deflection)	kg	10 749
	lb	23,699
Breakout Force(§)	kN	125
	lbf	28,176
Operating Weight*	kg	24 727
	lb	54,512

* Static tipping loads and operating weights shown are based on a machine configuration with Brawler 23.5X25 Smooth solid tires, full fluids, operator, cab precleaner, fabricated counterweight with rear guard (1460 kg), flat window glass with front guard, industrial package, ride control, standard starting, narrow fenders, turbine engine precleaner, Product Link, auto diff lock axles (front/rear), powertrain guard, standard steering, industrial sound suppression and variable pitch fan.

† Illustration shown with Dimension charts.

(§) Measured 100 mm (4") behind tip of cutting edge with bucket hinge pin as pivot point in accordance with ISO 14397-2:2007.

(With tire deflection) Full compliance to ISO 14397-1:2007 Sections 1 thru 6, which requires 2% verification between calculations and testing.

(No tire deflection) Compliance to ISO 14397-1:2007 Sections 1 thru 5.

Other buckets are available and offerings vary by region. Consult your local Cat dealer for further details.

962 Waste & Scrap Handler Specifications

Operating Specifications – Buckets *(continued)*

Linkage		Standard Linkage					
Bucket Type		Waste, Top Clamp – Pin-On		Waste, Load, and Carry – Pin-On		Waste, Dozing – Pin-On	
		Steel Bolt-On Cutting Edges	Rubber Cutting Edges	Steel Bolt-On Cutting Edges	Rubber Cutting Edges	Steel Bolt-On Cutting Edges	Rubber Cutting Edges
Edge Type							
Capacity – Rated	m ³	4.40	4.40	6.10	6.10	5.40	5.40
	yd ³	5.75	5.75	8.00	8.00	7.00	7.00
Capacity – Rated at 110% Fill Factor	m ³	4.80	4.80	6.70	6.70	5.90	5.90
	yd ³	6.25	6.25	8.75	8.75	7.75	7.75
Width	mm	3059	3059	3059	3059	3059	3032
	ft/in	10'0"	10'0"	10'0"	10'0"	10'0"	9'11"
16† Dump Clearance at Maximum Lift and 45° Discharge	mm	2518	2421	2736	2639	3003	2905
	ft/in	8'3"	7'11"	8'11"	8'7"	9'10"	9'6"
17† Reach at Maximum Lift and 45° Discharge	mm	1825	1764	1619	1557	1352	1292
	ft/in	5'11"	5'9"	5'3"	5'1"	4'5"	4'2"
Reach at Level Lift Arm and Bucket Level	mm	3572	3598	3272	3297	2895	2921
	ft/in	11'8"	11'9"	10'8"	10'9"	9'5"	9'7"
A† Digging Depth	mm	13	13	5	5	40	152
	in	0.5"	0.5"	0.2"	0.2"	1.6"	6"
12† Overall Length	mm	9250	9354	8944	9048	8567	8672
	ft/in	30'5"	30'9"	29'5"	29'9"	28'2"	28'6"
B† Overall Height with Bucket at Maximum Lift	mm	5549	5549	6148	6148	6355	6355
	ft/in	18'3"	18'3"	20'3"	20'3"	20'11"	20'11"
Loader Clearance Circle Radius with Bucket at Carry Position	mm	7378	7433	7000	7052	6876	6919
	ft/in	24'3"	24'5"	23'0"	23'2"	22'7"	22'9"
Static Tipping Load, Straight (No tire deflection)	kg	9814	9876	13 944	13 901	14 908	14 865
	lb	21,636	21,773	30,742	30,647	32,868	32,772
Static Tipping Load, Articulated (No tire deflection)	kg	8310	8373	12 057	12 014	12 904	12 860
	lb	18,322	18,459	26,581	26,486	28,448	28,352
Breakout Force (§)	kN	23	31	142	142	176	172
	lbf	5,215	7,033	32,010	32,011	39,604	38,874
Operating Weight*	kg	24 964	24 892	23 967	24 005	24 094	24 124
	lb	55,035	54,876	52,837	52,920	53,118	53,184

* Static tipping loads and operating weights shown are based on a machine configuration with Brawler 23.5X25 Smooth solid tires, full fluids, operator, cab precleaner, fabricated counterweight with rear guard (1460 kg), flat window glass with front guard, industrial package, ride control, standard starting, narrow fenders, turbine engine precleaner, Product Link, auto diff lock axles (front/rear), powertrain guard, standard steering, industrial sound suppression and variable pitch fan.

† Illustration shown with Dimension charts.

(§) Measured 100 mm (4") behind tip of cutting edge with bucket hinge pin as pivot point in accordance with ISO 14397-2:2007.

(With tire deflection) Full compliance to ISO 14397-1:2007 Sections 1 thru 6, which requires 2% verification between calculations and testing.

(No tire deflection) Compliance to ISO 14397-1:2007 Sections 1 thru 5.

Other buckets are available and offerings vary by region. Consult your local Cat dealer for further details.

962 Waste & Scrap Handler Specifications

Operating Specifications – Buckets (continued)

Linkage		High Lift Linkage					
Bucket Type		General Purpose – Pin-On					
Edge Type		Bolt-On Cutting Edges	Teeth and Segments	Tips	Bolt-On Cutting Edges	Teeth and Segments	Tips
Capacity – Rated	m ³	3.10	3.10	2.90	3.40	3.40	3.20
	yd ³	4.00	4.00	3.75	4.50	4.50	4.25
Capacity – Rated at 110% Fill Factor	m ³	3.40	3.40	3.20	3.70	3.70	3.50
	yd ³	4.50	4.50	4.25	4.75	4.75	4.50
Width	mm	2927	2994	2994	2927	2994	2994
	ft/in	9'7"	9'9"	9'9"	9'7"	9'9"	9'9"
16† Dump Clearance at Maximum Lift and 45° Discharge	mm	3434	3316	3316	3378	3258	3258
	ft/in	11'3"	10'10"	10'10"	11'0"	10'8"	10'8"
17† Reach at Maximum Lift and 45° Discharge	mm	1456	1566	1566	1499	1609	1609
	ft/in	4'9"	5'1"	5'1"	4'11"	5'3"	5'3"
Reach at Level Lift Arm and Bucket Level	mm	3054	3215	3215	3127	3288	3288
	ft/in	10'0"	10'6"	10'6"	10'3"	10'9"	10'9"
A† Digging Depth	mm	41	41	11	41	41	11
	in	1.6"	1.6"	0.4"	1.6"	1.6"	0.4"
12† Overall Length	mm	8783	8955	8955	8856	9028	9028
	ft/in	28'10"	29'5"	29'5"	29'1"	29'8"	29'8"
B† Overall Height with Bucket at Maximum Lift	mm	6083	6083	6083	6155	6155	6155
	ft/in	20'0"	20'0"	20'0"	20'3"	20'3"	20'3"
Loader Clearance Circle Radius with Bucket at Carry Position	mm	6937	7028	7028	6960	7052	7052
	ft/in	22'10"	23'1"	23'1"	22'11"	23'2"	23'2"
Static Tipping Load, Straight (No tire deflection)	kg	13 555	13 417	13 694	13 396	13 257	13 530
	lb	29,883	29,580	30,191	29,534	29,228	29,829
Static Tipping Load, Articulated (No tire deflection)	kg	11 789	11 652	11 912	11 637	11 498	11 755
	lb	25,991	25,688	26,262	25,656	25,350	25,915
Breakout Force (§)	kN	195	194	212	184	183	199
	lbf	43,919	43,677	47,749	41,373	41,131	44,783
Operating Weight*	kg	23 212	23 320	23 163	23 305	23 413	23 256
	lb	51,173	51,411	51,065	51,379	51,617	51,271

* Static tipping loads and operating weights shown are based on a machine configuration with Brawler 23.5X25 Smooth solid tires, full fluids, operator, cab precleaner, fabricated counterweight with rear guard (1460 kg), flat window glass with front guard, industrial package, ride control, standard starting, narrow fenders, turbine engine precleaner, Product Link, auto diff lock axles (front/rear), powertrain guard, standard steering, industrial sound suppression and variable pitch fan.

† Illustration shown with Dimension charts.

(§) Measured 100 mm (4") behind tip of cutting edge with bucket hinge pin as pivot point in accordance with ISO 14397-2:2007.

(With tire deflection) Full compliance to ISO 14397-1:2007 Sections 1 thru 6, which requires 2% verification between calculations and testing.

(No tire deflection) Compliance to ISO 14397-1:2007 Sections 1 thru 5.

Other buckets are available and offerings vary by region. Consult your local Cat dealer for further details.

962 Waste & Scrap Handler Specifications

Operating Specifications – Buckets (continued)

Linkage		High Lift Linkage					
Bucket Type		General Purpose – Pin-On					
Edge Type		Bolt-On Cutting Edges	Teeth and Segments	Tips	Bolt-On Cutting Edges	Teeth and Segments	Tips
Capacity – Rated	m ³	3.60	3.60	3.40	3.80	3.80	3.60
	yd ³	4.75	4.75	4.50	5.00	5.00	4.75
Capacity – Rated at 110% Fill Factor	m ³	4.00	4.00	3.70	4.20	4.20	4.00
	yd ³	5.25	5.25	4.75	5.50	5.50	5.25
Width	mm	2927	2994	2994	2927	2994	2994
	ft/in	9'7"	9'9"	9'9"	9'7"	9'9"	9'9"
16 † Dump Clearance at Maximum Lift and 45° Discharge	mm	3351	3232	3232	3317	3197	3197
	ft/in	10'11"	10'7"	10'7"	10'10"	10'5"	10'5"
17 † Reach at Maximum Lift and 45° Discharge	mm	1521	1630	1630	1550	1659	1659
	ft/in	4'11"	5'4"	5'4"	5'1"	5'5"	5'5"
Reach at Level Lift Arm and Bucket Level	mm	3162	3323	3323	3208	3369	3369
	ft/in	10'4"	10'10"	10'10"	10'6"	11'0"	11'0"
A † Digging Depth	mm	41	41	11	41	41	11
	in	1.6"	1.6"	0.4"	1.6"	1.6"	0.4"
12 † Overall Length	mm	8891	9063	9063	8937	9109	9109
	ft/in	29'3"	29'9"	29'9"	29'4"	29'11"	29'11"
B † Overall Height with Bucket at Maximum Lift	mm	6189	6189	6189	6236	6236	6236
	ft/in	20'4"	20'4"	20'4"	20'6"	20'6"	20'6"
Loader Clearance Circle Radius with Bucket at Carry Position	mm	6972	7064	7064	6987	7079	7079
	ft/in	22'11"	23'3"	23'3"	23'0"	23'3"	23'3"
Static Tipping Load, Straight (No tire deflection)	kg	13 328	13 189	13 458	13 232	13 092	13 357
	lb	29,384	29,077	29,671	29,172	28,863	29,448
Static Tipping Load, Articulated (No tire deflection)	kg	11 573	11 433	11 687	11 481	11 341	11 590
	lb	25,514	25,207	25,765	25,312	25,003	25,552
Breakout Force (§)	kN	179	178	193	172	171	186
	lbf	40,252	40,010	43,485	38,855	38,613	41,876
Operating Weight*	kg	23 342	23 450	23 293	23 396	23 504	23 347
	lb	51,459	51,697	51,351	51,580	51,818	51,472

* Static tipping loads and operating weights shown are based on a machine configuration with Brawler 23.5X25 Smooth solid tires, full fluids, operator, cab precleaner, fabricated counterweight with rear guard (1460 kg), flat window glass with front guard, industrial package, ride control, standard starting, narrow fenders, turbine engine precleaner, Product Link, auto diff lock axles (front/rear), powertrain guard, standard steering, industrial sound suppression and variable pitch fan.

† Illustration shown with Dimension charts.

(§) Measured 100 mm (4") behind tip of cutting edge with bucket hinge pin as pivot point in accordance with ISO 14397-2:2007.

(With tire deflection) Full compliance to ISO 14397-1:2007 Sections 1 thru 6, which requires 2% verification between calculations and testing.

(No tire deflection) Compliance to ISO 14397-1:2007 Sections 1 thru 5.

Other buckets are available and offerings vary by region. Consult your local Cat dealer for further details.

962 Waste & Scrap Handler Specifications

Operating Specifications – Buckets (continued)

Linkage		High Lift Linkage					
Bucket Type		General Purpose – Hook-On – Fusion					
Edge Type		Bolt-On Cutting Edges	Teeth and Segments	Tips	Bolt-On Cutting Edges	Teeth and Segments	Tips
Capacity – Rated	m ³	3.10	3.10	2.90	3.40	3.40	3.20
	yd ³	4.00	4.00	3.75	4.50	4.50	4.25
Capacity – Rated at 110% Fill Factor	m ³	3.40	3.40	3.20	3.70	3.70	3.50
	yd ³	4.50	4.50	4.25	4.75	4.75	4.50
Width	mm	2927	2994	2994	2927	2994	2994
	ft/in	9'7"	9'9"	9'9"	9'7"	9'9"	9'9"
16† Dump Clearance at Maximum Lift and 45° Discharge	mm	3395	3277	3277	3338	3219	3219
	ft/in	11'1"	10'9"	10'9"	10'11"	10'6"	10'6"
17† Reach at Maximum Lift and 45° Discharge	mm	1501	1612	1612	1544	1654	1654
	ft/in	4'11"	5'3"	5'3"	5'0"	5'5"	5'5"
Reach at Level Lift Arm and Bucket Level	mm	3114	3275	3275	3187	3348	3348
	ft/in	10'2"	10'8"	10'8"	10'5"	10'11"	10'11"
A† Digging Depth	mm	41	41	11	41	41	11
	in	1.6"	1.6"	0.4"	1.6"	1.6"	0.4"
12† Overall Length	mm	8843	9015	9015	8916	9088	9088
	ft/in	29'1"	29'7"	29'7"	29'4"	29'10"	29'10"
B† Overall Height with Bucket at Maximum Lift	mm	6116	6116	6116	6188	6188	6188
	ft/in	20'1"	20'1"	20'1"	20'4"	20'4"	20'4"
Loader Clearance Circle Radius with Bucket at Carry Position	mm	6947	7038	7038	6970	7062	7062
	ft/in	22'10"	23'2"	23'2"	22'11"	23'3"	23'3"
Static Tipping Load, Straight (No tire deflection)	kg	12 970	12 833	13 153	12 842	12 704	13 022
	lb	28,595	28,293	28,998	28,313	28,008	28,709
Static Tipping Load, Articulated (No tire deflection)	kg	11 229	11 092	11 395	11 108	10 969	11 271
	lb	24,756	24,454	25,123	24,489	24,184	24,849
Breakout Force (§)	kN	186	185	201	175	174	189
	lbf	41,824	41,582	45,305	39,510	39,268	42,628
Operating Weight*	kg	23 682	23 790	23 633	23 752	23 860	23 703
	lb	52,209	52,447	52,101	52,363	52,601	52,255

* Static tipping loads and operating weights shown are based on a machine configuration with Brawler 23.5X25 Smooth solid tires, full fluids, operator, cab precleaner, fabricated counterweight with rear guard (1460 kg), flat window glass with front guard, industrial package, ride control, standard starting, narrow fenders, turbine engine precleaner, Product Link, auto diff lock axles (front/rear), powertrain guard, standard steering, industrial sound suppression and variable pitch fan.

† Illustration shown with Dimension charts.

(§) Measured 100 mm (4") behind tip of cutting edge with bucket hinge pin as pivot point in accordance with ISO 14397-2:2007.

(With tire deflection) Full compliance to ISO 14397-1:2007 Sections 1 thru 6, which requires 2% verification between calculations and testing.

(No tire deflection) Compliance to ISO 14397-1:2007 Sections 1 thru 5.

Other buckets are available and offerings vary by region. Consult your local Cat dealer for further details.

962 Waste & Scrap Handler Specifications

Operating Specifications – Buckets *(continued)*

Linkage		High Lift Linkage					
Bucket Type		General Purpose – Hook-On – Fusion					
Edge Type		Bolt-On Cutting Edges	Teeth and Segments	Tips	Bolt-On Cutting Edges	Teeth and Segments	Tips
Capacity – Rated	m ³	3.60	3.60	3.40	3.80	3.80	3.60
	yd ³	4.75	4.75	4.50	5.00	5.00	4.75
Capacity – Rated at 110% Fill Factor	m ³	4.00	4.00	3.70	4.20	4.20	4.00
	yd ³	5.25	5.25	4.75	5.50	5.50	5.25
Width	mm	2927	2994	2994	2927	2994	2994
	ft/in	9'7"	9'9"	9'9"	9'7"	9'9"	9'9"
16† Dump Clearance at Maximum Lift and 45° Discharge	mm	3311	3192	3192	3277	3157	3157
	ft/in	10'10"	10'5"	10'5"	10'9"	10'4"	10'4"
17† Reach at Maximum Lift and 45° Discharge	mm	1566	1675	1675	1595	1703	1703
	ft/in	5'1"	5'5"	5'5"	5'2"	5'7"	5'7"
Reach at Level Lift Arm and Bucket Level	mm	3222	3383	3383	3268	3429	3429
	ft/in	10'6"	11'1"	11'1"	10'8"	11'3"	11'3"
A† Digging Depth	mm	41	41	11	41	41	11
	in	1.6"	1.6"	0.4"	1.6"	1.6"	0.4"
12† Overall Length	mm	8951	9123	9123	8997	9169	9169
	ft/in	29'5"	30'0"	30'0"	29'7"	30'1"	30'1"
B† Overall Height with Bucket at Maximum Lift	mm	6222	6222	6222	6270	6270	6270
	ft/in	20'5"	20'5"	20'5"	20'7"	20'7"	20'7"
Loader Clearance Circle Radius with Bucket at Carry Position	mm	6982	7074	7074	6997	7090	7090
	ft/in	22'11"	23'3"	23'3"	23'0"	23'4"	23'4"
Static Tipping Load, Straight (No tire deflection)	kg	12 779	12 640	12 957	12 696	12 556	12 872
	lb	28,174	27,868	28,566	27,990	27,682	28,379
Static Tipping Load, Articulated (No tire deflection)	kg	11 048	10 909	11 210	10 969	10 829	11 130
	lb	24,356	24,050	24,714	24,182	23,874	24,537
Breakout Force(§)	kN	171	170	184	165	164	177
	lbf	38,480	38,239	41,443	37,197	36,956	39,974
Operating Weight*	kg	23 786	23 894	23 737	23 831	23 939	23 782
	lb	52,438	52,676	52,330	52,537	52,775	52,429

* Static tipping loads and operating weights shown are based on a machine configuration with Brawler 23.5X25 Smooth solid tires, full fluids, operator, cab precleaner, fabricated counterweight with rear guard (1460 kg), flat window glass with front guard, industrial package, ride control, standard starting, narrow fenders, turbine engine precleaner, Product Link, auto diff lock axles (front/rear), powertrain guard, standard steering, industrial sound suppression and variable pitch fan.

† Illustration shown with Dimension charts.

(§) Measured 100 mm (4") behind tip of cutting edge with bucket hinge pin as pivot point in accordance with ISO 14397-2:2007.

(With tire deflection) Full compliance to ISO 14397-1:2007 Sections 1 thru 6, which requires 2% verification between calculations and testing.

(No tire deflection) Compliance to ISO 14397-1:2007 Sections 1 thru 5.

Other buckets are available and offerings vary by region. Consult your local Cat dealer for further details.

Operating Specifications – Buckets *(continued)*

Linkage		High Lift Linkage
Bucket Type		High Dump – Hook-On – Fusion
Edge Type		Bolt-On Cutting Edges
Capacity – Rated	m ³	6.10
	yd ³	8.00
Capacity – Rated at 110% Fill Factor	m ³	6.70
	yd ³	8.75
Width	mm	2910
	ft/in	9'6"
16† Dump Clearance at Maximum Lift and 45° Discharge	mm	2895
	ft/in	9'6"
17† Reach at Maximum Lift and 45° Discharge	mm	1763
	ft/in	5'9"
Reach at Level Lift Arm and Bucket Level	mm	3671
	ft/in	12'0"
A† Digging Depth	mm	108
	in	4.2"
12† Overall Length	mm	9442
	ft/in	31'0"
B† Overall Height with Bucket at Maximum Lift	mm	6645
	ft/in	21'10"
Loader Clearance Circle Radius with Bucket at Carry Position	mm	7168
	ft/in	23'7"
Static Tipping Load, Straight (No tire deflection)	kg	10 920
	lb	24,076
Static Tipping Load, Articulated (No tire deflection)	kg	9286
	lb	20,473
Breakout Force(§)	kN	124
	lbf	27,942
Operating Weight*	kg	24 821
	lb	54,720

* Static tipping loads and operating weights shown are based on a machine configuration with Brawler 23.5X25 Smooth solid tires, full fluids, operator, cab precleaner, fabricated counterweight with rear guard (1460 kg), flat window glass with front guard, industrial package, ride control, standard starting, narrow fenders, turbine engine precleaner, Product Link, auto diff lock axles (front/rear), powertrain guard, standard steering, industrial sound suppression and variable pitch fan.

† Illustration shown with Dimension charts.

(§) Measured 100 mm (4") behind tip of cutting edge with bucket hinge pin as pivot point in accordance with ISO 14397-2:2007.

(With tire deflection) Full compliance to ISO 14397-1:2007 Sections 1 thru 6, which requires 2% verification between calculations and testing.

(No tire deflection) Compliance to ISO 14397-1:2007 Sections 1 thru 5.

Other buckets are available and offerings vary by region. Consult your local Cat dealer for further details.

962 Waste & Scrap Handler Specifications

Operating Specifications – Buckets *(continued)*

Linkage		High Lift Linkage					
Bucket Type		Waste, Top Clamp – Pin-On		Waste, Load, and Carry – Pin-On		Waste, Dozing – Pin-On	
		Steel Bolt-On Cutting Edges	Rubber Cutting Edges	Steel Bolt-On Cutting Edges	Rubber Cutting Edges	Steel Bolt-On Cutting Edges	Rubber Cutting Edges
Edge Type							
Capacity – Rated	m ³	4.40	4.40	6.10	6.10	5.40	5.40
	yd ³	5.75	5.75	8.00	8.00	7.00	7.00
Capacity – Rated at 110% Fill Factor	m ³	4.80	4.80	6.70	6.70	5.90	5.90
	yd ³	6.25	6.25	8.75	8.75	7.75	7.75
Width	mm	3059	3059	3059	3059	3059	3032
	ft/in	10'0"	10'0"	10'0"	10'0"	10'0"	9'11"
16† Dump Clearance at Maximum Lift and 45° Discharge	mm	2807	2709	3025	2928	3291	3193
	ft/in	9'2"	8'10"	9'11"	9'7"	10'9"	10'5"
17† Reach at Maximum Lift and 45° Discharge	mm	1927	1866	1720	1659	1454	1393
	ft/in	6'3"	6'1"	5'7"	5'5"	4'9"	4'6"
Reach at Level Lift Arm and Bucket Level	mm	3849	3875	3549	3574	3172	3198
	ft/in	12'7"	12'8"	11'7"	11'8"	10'4"	10'5"
A† Digging Depth	mm	19	19	11	11	46	158
	in	0.7"	0.7"	0.4"	0.4"	1.8"	6.2"
12† Overall Length	mm	9586	9681	9281	9376	8904	9000
	ft/in	31'6"	31'10"	30'6"	30'10"	29'3"	29'7"
B† Overall Height with Bucket at Maximum Lift	mm	5838	5838	6437	6437	6644	6644
	ft/in	19'2"	19'2"	21'2"	21'2"	21'10"	21'10"
Loader Clearance Circle Radius with Bucket at Carry Position	mm	7572	7622	7162	7236	7026	7087
	ft/in	24'11"	25'1"	23'6"	23'9"	23'1"	23'3"
Static Tipping Load, Straight (No tire deflection)	kg	8627	8690	12 181	12 139	12 935	12 893
	lb	19,020	19,159	26,856	26,763	28,518	28,425
Static Tipping Load, Articulated (No tire deflection)	kg	7243	7306	10 478	10 435	11 136	11 094
	lb	15,969	16,107	23,100	23,006	24,552	24,458
Breakout Force (§)	kN	32	39	141	141	175	171
	lbf	7,242	8,834	31,801	31,716	39,352	38,523
Operating Weight*	kg	25 058	24 986	24 061	24 099	24 189	24 219
	lb	55,243	55,084	53,045	53,129	53,326	53,392

* Static tipping loads and operating weights shown are based on a machine configuration with Brawler 23.5X25 Smooth solid tires, full fluids, operator, cab precleaner, fabricated counterweight with rear guard (1460 kg), flat window glass with front guard, industrial package, ride control, standard starting, narrow fenders, turbine engine precleaner, Product Link, auto diff lock axles (front/rear), powertrain guard, standard steering, industrial sound suppression and variable pitch fan.

† Illustration shown with Dimension charts.

(§) Measured 100 mm (4") behind tip of cutting edge with bucket hinge pin as pivot point in accordance with ISO 14397-2:2007.

(With tire deflection) Full compliance to ISO 14397-1:2007 Sections 1 thru 6, which requires 2% verification between calculations and testing.

(No tire deflection) Compliance to ISO 14397-1:2007 Sections 1 thru 5.

Other buckets are available and offerings vary by region. Consult your local Cat dealer for further details.



962

Forestry Machine

The Cat 962 Wheel Loader Forestry package provides the additional performance, productivity, and safety that is demanded in the woods and the millyard.

Proven Reliability

- Cat C7.1 engine offers high power density with a combination of proven electronics, fuel, and air systems.
- Equipped with automatic Cat regeneration system, Cat Clean Emissions Module (CEM) with diesel particulate filter (DPF), and diesel exhaust fluid (DEF) tank and pump.
- Features an electric fuel priming pump, fuel-water separator, and secondary fuel filter.
- Thorough component design and machine validation processes result in unmatched reliability and uptime.

Durability

- Heavy-duty axles are designed to handle extreme applications.
- Automatic countershaft powershift (5F/3R) transmission features durable, long-lasting components.

Achieve Greater Fuel Efficiency and Productivity

- Forestry package includes additional counterweight, larger lift cylinders, and larger tilt cylinders.
- Optional variable pitch fan and high debris coolers minimize the potential for overheating and reduce downtime for radiator clean out in high debris applications.
- Optional 3rd and 4th valve auxiliary hydraulics to control work tools requiring the additional function.
- Five-speed transmission and lock-up clutch torque converter, powertrains deliver smooth shifting, fast acceleration, and speed on grade for greater performance and fuel efficiency.
- Single clutch and lock-to-lock shifting for faster acceleration and speed on grades.
- Deeply integrated engine, powertrain, and hydraulic systems deliver unmatched productivity and fuel efficiency.

Safety Features

- Rearview camera enhances visibility behind the machine, helping you work safely and confidently.
- Optional multiview (360°) vision system helps the operator monitor the surroundings of the machine at all times.
- Optional Cat Detect radar technology enhances awareness by monitoring the working environment and alerts operators to hazards.

- Cab access with wide door, optional remote door opening, and stair-like steps add solid stability.
- Floor-to-ceiling windshield, large mirrors with integrated spot mirrors, and rearview camera provide industry leading all-around visibility.

Reduced Maintenance Time and Costs

- Extended fluid and filter change intervals reduce maintenance costs by up to 30%.*
- Optional turbine engine air precleaner improves air filter life.
- Remote Troubleshoot can connect the machine to the dealer service department to help diagnose problems quickly so you can get back to work.
- Remote Flash works around your schedule to ensure your machine's software is up to date for optimal performance.
- The Cat app helps you manage fleet location, hours, and maintenance schedules; it also alerts you for required maintenance and allows you to request service from your local Cat dealer.
- One-piece tilting hood makes engine compartment access fast and easy.
- Optional integrated autolube extends component and service life.

Work in Comfort in the All New Cab

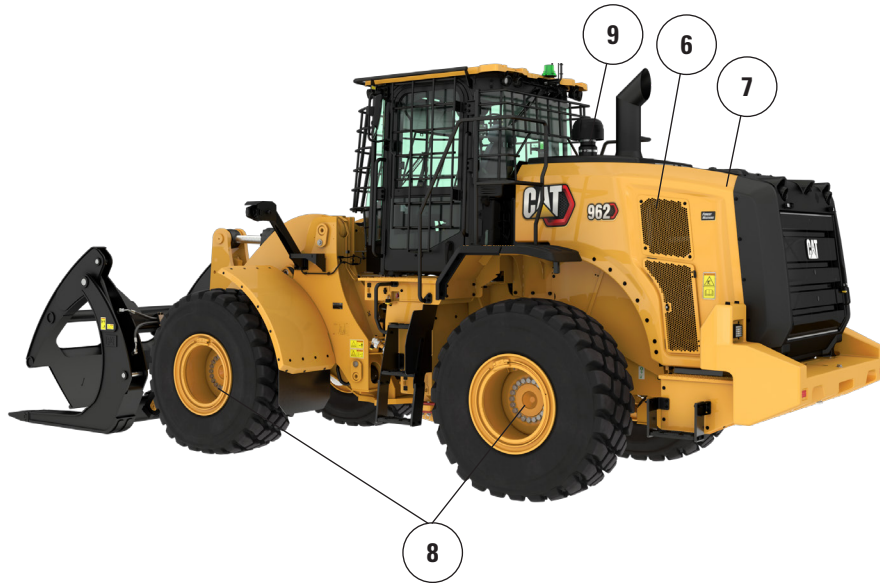
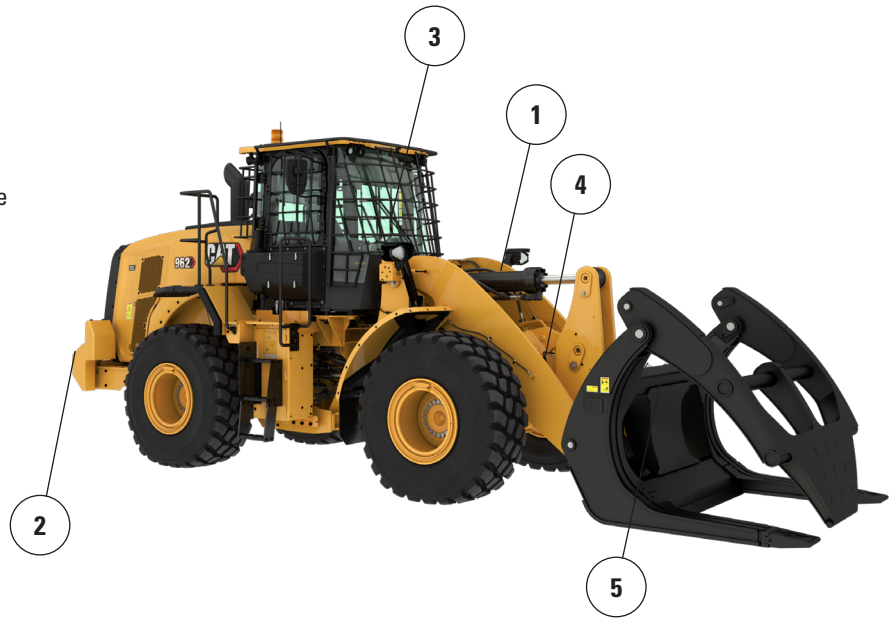
- Optional powered cabin precleaner filters the incoming air and pressurizes the cab.
- Next-generation, easily adjustable seat and suspension for improved operator comfort. It comes in three trim levels and can be equipped with a 4-point harness.
- New in-cab dashboard and high-resolution touch display(s) are easy to use, intuitive, and user friendly.
- Sound suppression, seals, and viscous cab mounts decrease noise and vibration for a quieter work environment.
- The seat-mounted electro-hydraulic joystick steering system provides precision control and dramatically reduces arm fatigue, resulting in excellent comfort and accuracy. Standard in North America and optional in all other regions.
- The hydraulic metering unit (HMU) steering wheel provides precision control, resulting in excellent comfort and accuracy. Standard in all regions except North America. Limited optional availability for North America, consult your Cat dealer.

**Parts and fluids only.*

962 Forestry Machine Specifications

962 Forestry Machine Features

1. Larger tilt cylinder and larger lift cylinders for increased load control in fork applications
2. Heavier counterweight provides increased tipping loads in a millyard application
3. Optional window guarding to provide impact resistance to the glass
4. Optional 3rd and 4th function hydraulics provide auxiliary hydraulic control for work tools like millyard or logging forks
5. Wide range of millyard work tools



6. Optional variable pitch fan helps to keep rear grill and cooling cores clean in high debris applications
7. Optional high debris/wide fin spacing cooling cores are less prone to plugging
8. Optional axle oil cooler provides lower axle oil temperatures in high braking applications
9. Optional engine and cab precleaners for use in high debris applications

Tire Options

Tire Brand	BRIDGESTONE	MICHELIN	MICHELIN	BRIDGESTONE	MAXAM
Tire Size	23.5R25	23.5R25	750/65R25	750/65R25	23.5R25
Tread Type	L-3	L-3	L-3	L-3	L-3
Tread Pattern	VJT	XHA2	XLD	VTS	MS302
Casing Strength	*	*	*	*	**
Width over Tires – Maximum (empty)*	2804 mm 9'3"	2823 mm 9'4"	2942 mm 9'8"	2935 mm 9'8"	2825 mm 9'4"
Width over Tires – Maximum (loaded)*	2825 mm 9'4"	2830 mm 9'4"	2961 mm 9'9"	2953 mm 9'9"	2829 mm 9'4"
Change in Vertical Dimensions (average of front and rear)		10 mm 0.4"	15 mm 0.6"	20 mm 0.8"	14 mm 0.6"
Change in Horizontal Reach		-6 mm -0.2"	5 mm 0.2"	-4 mm -0.2"	-15 mm -0.6"
Change in Clearance Circle to Outside of Tires		4 mm 0.2"	135 mm 5.3"	128 mm 5"	4 mm 0.1"
Change in Clearance Circle to Inside of Tires		-4 mm -0.2"	-135 mm -5.3"	-128 mm -5"	-4 mm -0.1"
Change in Operating Weight (without ballast)		-156 kg -344 lb	633 kg 1,395 lb	737 kg 1,625 lb	0 kg 0 lb
Change in Static Tipping Load – Straight		-99 kg -218 lb	402 kg 886 lb	468 kg 1,032 lb	0 kg 0 lb
Change in Static Tipping Load – Articulated		-87 kg -191 lb	351 kg 774 lb	409 kg 902 lb	0 kg 0 lb
Rear Axle Oscillation Angle	±13 degrees	±13 degrees	±8 degrees	±8 degrees	±13 degrees
Maximum Single-Wheel Rise and Fall	481 mm 1'7"	481 mm 1'7"	298 mm 1'0"	298 mm 1'0"	481 mm 1'7"

*Width over tire bulge and includes tire growth.

962 Forestry Machine Specifications

Operating Specifications – Buckets

Linkage		Forestry Linkage		
Bucket Type		High Dump – Pin-On		
Edge Type		Bolt-On Cutting Edges	Bolt-On Cutting Edges	Bolt-On Cutting Edges
Capacity – Rated	m ³	6.10	7.60	9.20
	yd ³	8.00	10.00	12.00
Capacity – Rated at 110% Fill Factor	m ³	6.70	8.40	10.10
	yd ³	8.75	11.00	13.25
Width	mm	3037	3350	3350
	ft/in	9'11"	10'11"	10'11"
16† Dump Clearance at Maximum Lift and 45° Discharge	mm	2538	2467	2326
	ft/in	8'3"	8'1"	7'7"
17† Reach at Maximum Lift and 45° Discharge	mm	1771	1842	1983
	ft/in	5'9"	6'0"	6'6"
Reach at Level Lift Arm and Bucket Level	mm	3476	3576	3776
	ft/in	11'4"	11'8"	12'4"
A† Digging Depth	mm	73	73	73
	in	2.9"	2.9"	2.9"
12† Overall Length	mm	9316	9416	9616
	ft/in	30'7"	30'11"	31'7"
B† Overall Height with Bucket at Maximum Lift	mm	6176	6262	6463
	ft/in	20'4"	20'7"	21'3"
Loader Clearance Circle Radius with Bucket at Carry Position	mm	7052	7221	7289
	ft/in	23'2"	23'9"	23'11"
Static Tipping Load, Straight (With tire deflection)	kg	12 776	12 445	12 088
	lb	28,168	27,437	26,649
Static Tipping Load, Straight (No tire deflection)	kg	13 602	13 271	12 917
	lb	29,987	29,257	28,477
Static Tipping Load, Articulated (With tire deflection)	kg	10 743	10 425	10 090
	lb	23,686	22,984	22,244
Static Tipping Load, Articulated (No tire deflection)	kg	11 587	11 269	10 938
	lb	25,546	24,845	24,115
Breakout Force (§)	kN	144	135	121
	lbf	32,439	30,424	27,226
Operating Weight*	kg	21 945	22 174	22 347
	lb	48,380	48,885	49,266

* Static tipping loads and operating weights shown are based on a machine configuration with Bridgestone 23.5R25 VJT L3 radial tires, full fluids, operator, axle oil cooler, logger counterweight, ride control, cold start, roading fenders, Product Link, manual diff lock/open axles (front/rear), logger package, powertrain guard, secondary steering and sound suppression.

† Illustration shown with Dimension charts.

(§) Measured 100 mm (4") behind tip of cutting edge with bucket hinge pin as pivot point in accordance with ISO 14397-2:2007.

(With tire deflection) Full compliance to ISO 14397-1:2007 Sections 1 thru 6, which requires 2% verification between calculations and testing.

(No tire deflection) Compliance to ISO 14397-1:2007 Sections 1 thru 5.

Other buckets are available and offerings vary by region. Consult your local Cat dealer for further details.

Operating Specifications – Buckets *(continued)*

Linkage		Forestry Linkage		
Bucket Type		High Dump – Hook-On – Fusion		
Edge Type		Bolt-On Cutting Edges	Bolt-On Cutting Edges	Bolt-On Cutting Edges
Capacity – Rated	m ³	6.10	7.60	9.20
	yd ³	8.00	10.00	12.00
Capacity – Rated at 110% Fill Factor	m ³	6.70	8.40	10.10
	yd ³	8.75	11.00	13.25
Width	mm	3037	3350	3350
	ft/in	9'11"	10'11"	10'11"
16 † Dump Clearance at Maximum Lift and 45° Discharge	mm	2493	2421	2280
	ft/in	8'2"	7'11"	7'5"
17 † Reach at Maximum Lift and 45° Discharge	mm	1816	1888	2029
	ft/in	5'11"	6'2"	6'7"
Reach at Level Lift Arm and Bucket Level	mm	3540	3641	3841
	ft/in	11'7"	11'11"	12'7"
A † Digging Depth	mm	103	73	73
	in	4"	2.9"	2.9"
12 † Overall Length	mm	9380	9481	9681
	ft/in	30'10"	31'2"	31'10"
B † Overall Height with Bucket at Maximum Lift	mm	6237	6303	6504
	ft/in	20'6"	20'9"	21'5"
Loader Clearance Circle Radius with Bucket at Carry Position	mm	7073	7243	7312
	ft/in	23'3"	23'10"	24'0"
Static Tipping Load, Straight (With tire deflection)	kg	11 650	11 781	11 433
	lb	25,685	25,972	25,206
Static Tipping Load, Straight (No tire deflection)	kg	12 402	12 590	12 245
	lb	27,343	27,756	26,997
Static Tipping Load, Articulated (With tire deflection)	kg	9724	9791	9465
	lb	21,437	21,585	20,868
Static Tipping Load, Articulated (No tire deflection)	kg	10 497	10 619	10 297
	lb	23,142	23,412	22,701
Breakout Force (§)	kN	131	129	116
	lbf	29,561	29,209	26,201
Operating Weight*	kg	22 522	22 741	22 913
	lb	49,652	50,135	50,514

* Static tipping loads and operating weights shown are based on a machine configuration with Bridgestone 23.5R25 VJT L3 radial tires, full fluids, operator, axle oil cooler, logger counterweight, ride control, cold start, roading fenders, Product Link, manual diff lock/open axles (front/rear), logger package, powertrain guard, secondary steering and sound suppression.

† Illustration shown with Dimension charts.

(§) Measured 100 mm (4") behind tip of cutting edge with bucket hinge pin as pivot point in accordance with ISO 14397-2:2007.

(With tire deflection) Full compliance to ISO 14397-1:2007 Sections 1 thru 6, which requires 2% verification between calculations and testing.

(No tire deflection) Compliance to ISO 14397-1:2007 Sections 1 thru 5.

Other buckets are available and offerings vary by region. Consult your local Cat dealer for further details.

962 Forestry Machine Specifications

Operating Specifications – Buckets *(continued)*

Linkage		Forestry Linkage		
Bucket Type		High Dump – Hook-On – Fusion – VCE Small		
Edge Type		Bolt-On Cutting Edges	Bolt-On Cutting Edges	Bolt-On Cutting Edges
Capacity – Rated	m ³	6.10	7.60	9.20
	yd ³	8.00	10.00	12.00
Capacity – Rated at 110% Fill Factor	m ³	6.70	8.40	10.10
	yd ³	8.75	11.00	13.25
Width	mm	3037	3350	3350
	ft/in	9'11"	10'11"	10'11"
16† Dump Clearance at Maximum Lift and 45° Discharge	mm	2481	2411	2269
	ft/in	8'1"	7'10"	7'5"
17† Reach at Maximum Lift and 45° Discharge	mm	1827	1898	2040
	ft/in	5'11"	6'2"	6'8"
Reach at Level Lift Arm and Bucket Level	mm	3556	3656	3856
	ft/in	11'8"	11'11"	12'7"
A† Digging Depth	mm	73	73	73
	in	2.9"	2.9"	2.9"
12† Overall Length	mm	9396	9496	9696
	ft/in	30'10"	31'2"	31'10"
B† Overall Height with Bucket at Maximum Lift	mm	6222	6310	6511
	ft/in	20'5"	20'9"	21'5"
Loader Clearance Circle Radius with Bucket at Carry Position	mm	7077	7248	7319
	ft/in	23'3"	23'10"	24'1"
Static Tipping Load, Straight (With tire deflection)	kg	12,207	11,879	11,532
	lb	26,913	26,190	25,424
Static Tipping Load, Straight (No tire deflection)	kg	13,013	12,685	12,340
	lb	28,689	27,966	27,206
Static Tipping Load, Articulated (With tire deflection)	kg	10,212	9,897	9,570
	lb	22,513	21,819	21,099
Static Tipping Load, Articulated (No tire deflection)	kg	11,036	10,721	10,399
	lb	24,332	23,637	22,926
Breakout Force (§)	kN	137	128	115
	lbf	30,806	28,929	25,961
Operating Weight*	kg	22,290	22,520	22,693
	lb	49,141	49,648	50,029

* Static tipping loads and operating weights shown are based on a machine configuration with Bridgestone 23.5R25 VJT L3 radial tires, full fluids, operator, axle oil cooler, logger counterweight, ride control, cold start, roading fenders, Product Link, manual diff lock/open axles (front/rear), logger package, powertrain guard, secondary steering and sound suppression.

† Illustration shown with Dimension charts.

(§) Measured 100 mm (4") behind tip of cutting edge with bucket hinge pin as pivot point in accordance with ISO 14397-2:2007.

(With tire deflection) Full compliance to ISO 14397-1:2007 Sections 1 thru 6, which requires 2% verification between calculations and testing.

(No tire deflection) Compliance to ISO 14397-1:2007 Sections 1 thru 5.

Other buckets are available and offerings vary by region. Consult your local Cat dealer for further details.

Operating Specifications – Buckets (continued)

Linkage		Forestry Linkage				
Bucket Type		Flat Floor – Pin-On	Woodchip – Pin-On		Woodchip – Hook-On – Fusion	
Edge Type		Bolt-On Cutting Edges	Bolt-On Cutting Edges	Bolt-On Cutting Edges	Bolt-On Cutting Edges	Bolt-On Cutting Edges
Capacity – Rated	m ³	6.10	9.20	9.90	9.20	9.90
	yd ³	8.00	12.00	13.00	12.00	13.00
Capacity – Rated at 110% Fill Factor	m ³	6.70	10.10	10.90	10.10	10.90
	yd ³	8.75	13.25	14.25	13.25	14.25
Width	mm	3357	3330	3330	3330	3330
	ft/in	11'0"	10'11"	10'11"	10'11"	10'11"
16† Dump Clearance at Maximum Lift and 45° Discharge	mm	2105	2450	2375	2357	2353
	ft/in	6'10"	8'0"	7'9"	7'8"	7'8"
17† Reach at Maximum Lift and 45° Discharge	mm	2069	1866	1941	1959	1963
	ft/in	6'9"	6'1"	6'4"	6'5"	6'5"
Reach at Level Lift Arm and Bucket Level	mm	3993	3605	3711	3737	3743
	ft/in	13'1"	11'9"	12'2"	12'3"	12'3"
A† Digging Depth	mm	199	98	98	98	98
	in	7.8"	3.8"	3.8"	3.8"	3.8"
12† Overall Length	mm	9898	9442	9548	9574	9580
	ft/in	32'6"	31'0"	31'4"	31'5"	31'6"
B† Overall Height with Bucket at Maximum Lift	mm	5761	6454	6546	6512	6563
	ft/in	18'11"	21'3"	21'6"	21'5"	21'7"
Loader Clearance Circle Radius with Bucket at Carry Position	mm	7520	7220	7256	7266	7268
	ft/in	24'9"	23'9"	23'10"	23'11"	23'11"
Static Tipping Load, Straight (With tire deflection)	kg	9502	13 203	13 127	11 861	11 911
	lb	20,949	29,108	28,940	26,150	26,260
Static Tipping Load, Straight (No tire deflection)	kg	10 103	14 055	13 988	12 612	12 670
	lb	22,274	30,986	30,840	27,805	27,934
Static Tipping Load, Articulated (With tire deflection)	kg	7736	11 171	11 088	9962	10 006
	lb	17,055	24,629	24,446	21,963	22,060
Static Tipping Load, Articulated (No tire deflection)	kg	8362	12 041	11 968	10 734	10 787
	lb	18,436	26,546	26,384	23,665	23,781
Breakout Force (§)	kN	98	129	122	120	120
	lbf	22,235	29,083	27,471	27,171	27,022
Operating Weight*	kg	23 548	21 447	21 539	22 082	22 043
	lb	51,914	47,282	47,485	48,682	48,596

* Static tipping loads and operating weights shown are based on a machine configuration with Bridgestone 23.5R25 VJT L3 radial tires, full fluids, operator, axle oil cooler, logger counterweight, ride control, cold start, roading fenders, Product Link, manual diff lock/open axles (front/rear), logger package, powertrain guard, secondary steering and sound suppression.

† Illustration shown with Dimension charts.

(§) Measured 100 mm (4") behind tip of cutting edge with bucket hinge pin as pivot point in accordance with ISO 14397-2:2007.

(With tire deflection) Full compliance to ISO 14397-1:2007 Sections 1 thru 6, which requires 2% verification between calculations and testing.

(No tire deflection) Compliance to ISO 14397-1:2007 Sections 1 thru 5.

Other buckets are available and offerings vary by region. Consult your local Cat dealer for further details.

962 Forestry Machine Specifications

Fork Specifications

Fork Specifications

1	Tine length	mm	1609
		in	63.3
2	Fork width	mm	2324
		in	91.5
	End area	m ²	1.26
		ft ²	14
3	Inside Height (only applies to double top clamp)	mm	0
		in	0
4	Min. opening (only applies to milliard forks)	mm	427
		in	17
	Operating Weight	kg	21601
		lbs	47621
5	Distance inside of tine tips	mm	1780
		in	70
	Static tipping load, articulated Fork level	kg	9970
		lbs	21980.3
	Static tipping load, straight Fork level	kg	11788
		lbs	25987.9
6	Max. height of fork (w/clamp open if applicable)	mm	2843
		in	111.9
7	Clearance w/full lift, 45 deg dump (if max. dump <= 45)	mm	2817
		in	110.9
8	Clearance @ full lift fork level	mm	3949
		in	155.5
9	Reach w/full lift, 45 deg dump (if max. dump <= 45)	mm	1544
		in	60.8
10	Reach w/lift arm horizontal and fork level	mm	3118
		in	122.8
11	*Ground to Bottom of Tool at Minimum Height and Tool Level	mm	-68
		in	-2.7
12	Width over tines	mm	2286
		in	90.0
13	Reach @ ground level	mm	2538
		in	100
14	Max. opening across tine and clamp	mm	2709
		in	106.7
15	Overall height of fork @ full lift and clamp open	mm	6792
		in	267.4
16	Overall length	mm	8932
	Tip of tine to rear of machine	in	351.7
17	Clearance @ full lift and max. dump Discharge (if <= 45)	mm	2804
		in	110.4
18	Clearance w/horizontal lift arms and fork level	mm	1797.2
		in	70.8
19	Reach @ full lift and fork level	mm	2239.5
		in	88.2
20	Max. discharge angle from horizontal	deg	46
		rad	0.8

*Negative values indicate below grade

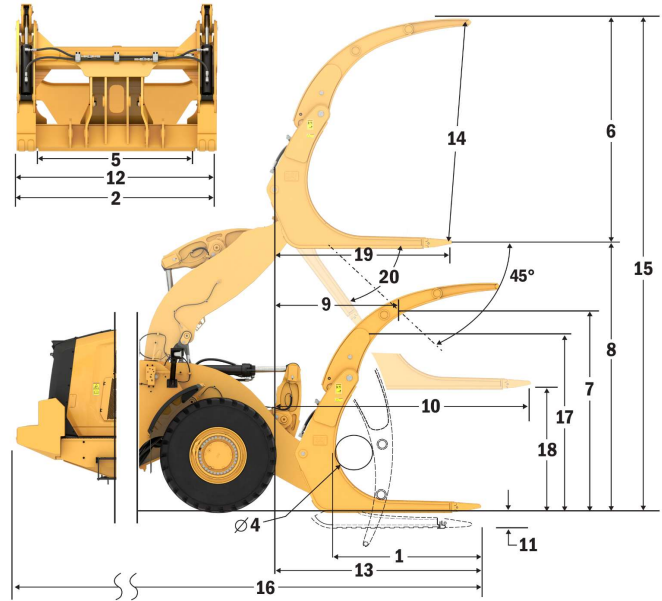
962 LOG

Milliard Fork, Pin-On

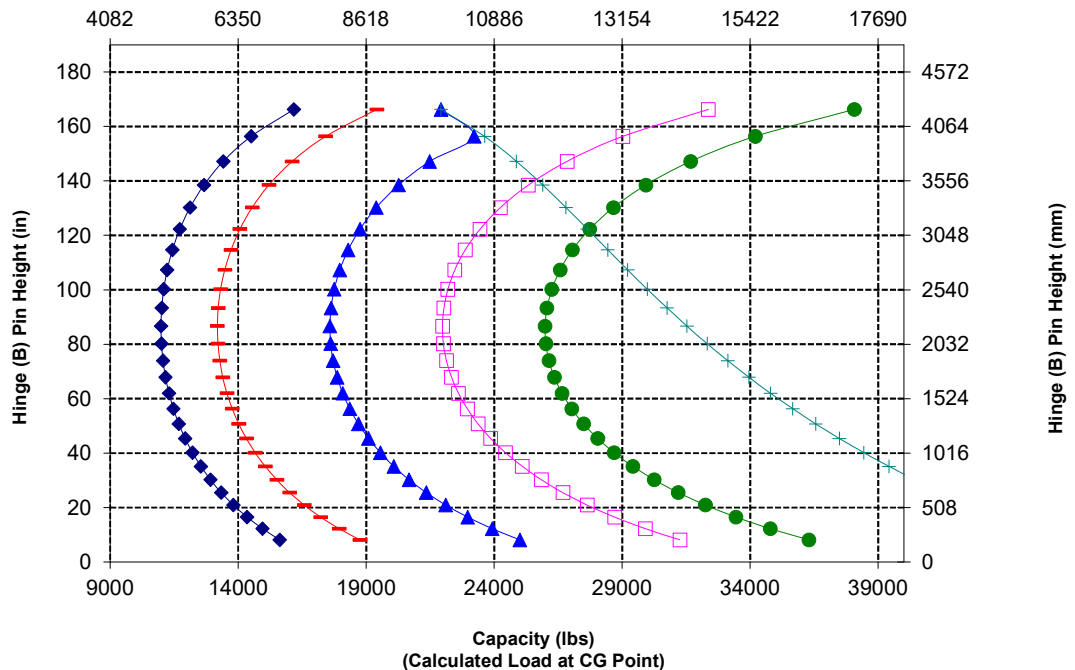
63" Tine

374-7148

*Build 14A
*Parallel Z-Bar Linkage
*Logging Configuration



Capacity (kg) (Calculated Load at CG Point)



962 Forestry Machine Specifications

Fork Specifications

Fork Specifications

1	Tine length	mm	1609
		in	63.3
2	Fork width	mm	2324
		in	91.5
	End area	m2	1.26
		ft2	14
3	Inside Height (only applies to double top clamp)	mm	0
		in	0
4	Min. opening (only applies to milliard forks)	mm	427
		in	17
	Operating Weight	kg	22273
		lbs	49102
5	Distance inside of tine tips	mm	1780
		in	70
	Static tipping load, articulated Fork level	kg	8947
		lbs	19724.4
	Static tipping load, straight Fork level	kg	10685
		lbs	23557.3
6	Max. height of fork (w/clamp open if applicable)	mm	2843
		in	111.9
7	Clearance w/full lift, 45 deg dump (if max. dump <= 45)	mm	2730
		in	107.5
8	Clearance @ full lift fork level	mm	3963
		in	156.0
9	Reach w/full lift, 45 deg dump (if max. dump <= 45)	mm	1650
		in	65.0
10	Reach w/lift arm horizontal and fork level	mm	3255
		in	128.2
11	*Ground to Bottom of Tool at Minimum Height and Tool Level	mm	-54
		in	-2.1
12	Width over tines	mm	2286
		in	90.0
13	Reach @ ground level	mm	2665
		in	105
14	Max. opening across tine and clamp	mm	2709
		in	106.7
15	Overall height of fork @ full lift and clamp open	mm	6806
		in	267.9
16	Overall length Tip of tine to rear of machine	mm	9059
		in	356.7
17	Clearance @ full lift and max. dump Discharge (if <= 45)	mm	2456
		in	96.7
18	Clearance w/horizontal lift arms and fork level	mm	1810.9
		in	71.3
19	Reach @ full lift and fork level	mm	2376.6
		in	93.6
20	Max. discharge angle from horizontal	deg	63
		rad	1.1

*Negative values indicate below grade

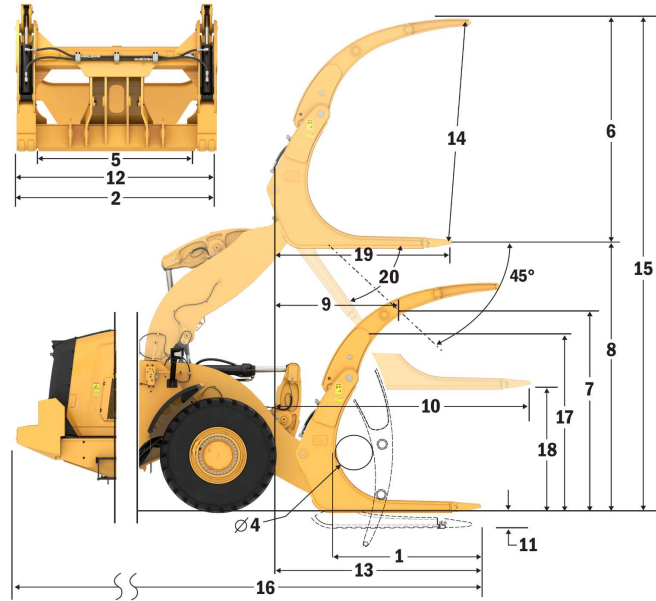
962 LOG

Milliard Fork, FUSION

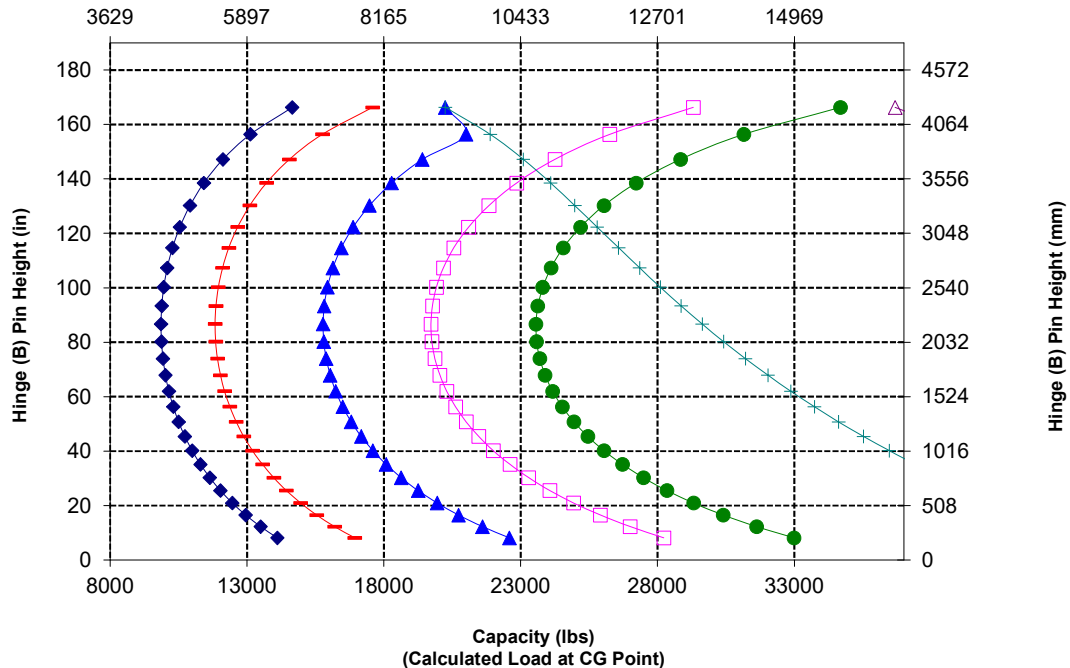
63" Tine

383-3523

*Build 14A
*Parallel Z-Bar Linkage
*Logging Configuration



Capacity (kg) (Calculated Load at CG Point)



962 Forestry Machine Specifications

Fork Specifications

Fork Specifications

1	Tine length	mm	1677
		in	66.0
2	Fork width	mm	2236
		in	88.0
	End area	m ²	1.39
		ft ²	15
3	Inside Height (only applies to double top clamp)	mm	0
		in	0
4	Min. opening (only applies to millyard forks)	mm	330
		in	13
	Operating Weight	kg	20985
		lbs	46263
5	Distance inside of tine tips	mm	1904
		in	75
	Static tipping load, articulated Fork level	kg	9661
		lbs	21299.7
	Static tipping load, straight Fork level	kg	11333
		lbs	24985.0
6	Max. height of fork (w/clamp open if applicable)	mm	3144
		in	123.8
7	Clearance w/full lift, 45 deg dump (if max. dump <> 45)	mm	2544
		in	100.2
8	Clearance @ full lift fork level	mm	3847
		in	151.5
9	Reach w/full lift, 45 deg dump (if max. dump <> 45)	mm	1672
		in	65.8
10	Reach w/lift arm horizontal and fork level	mm	3402
		in	133.9
11	*Ground to Bottom of Tool at Minimum Height and Tool Level	mm	-170
		in	-6.7
12	Width over tines	mm	2184
		in	86.0
13	Reach @ ground level	mm	2893
		in	114
14	Max. opening across tine and clamp	mm	2914
		in	114.7
15	Overall height of fork @ full lift and clamp open	mm	6990
		in	275.2
16	Overall length	mm	9287
	Tip of tine to rear of machine	in	365.6
17	Clearance @ full lift and max. dump Discharge (if <> 45)	mm	2529
		in	99.6
18	Clearance w/horizontal lift arms and fork level	mm	1695.1
		in	66.7
19	Reach @ full lift and fork level	mm	2523.4
		in	99.3
20	Max. discharge angle from horizontal	deg	46
		rad	0.8

*Negative values indicate below grade

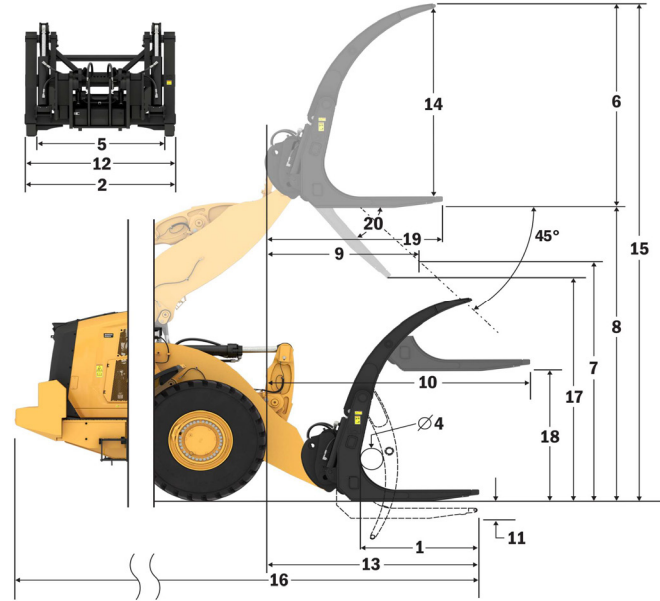
962 LOG

Milliard Pole Fork, Pin-On

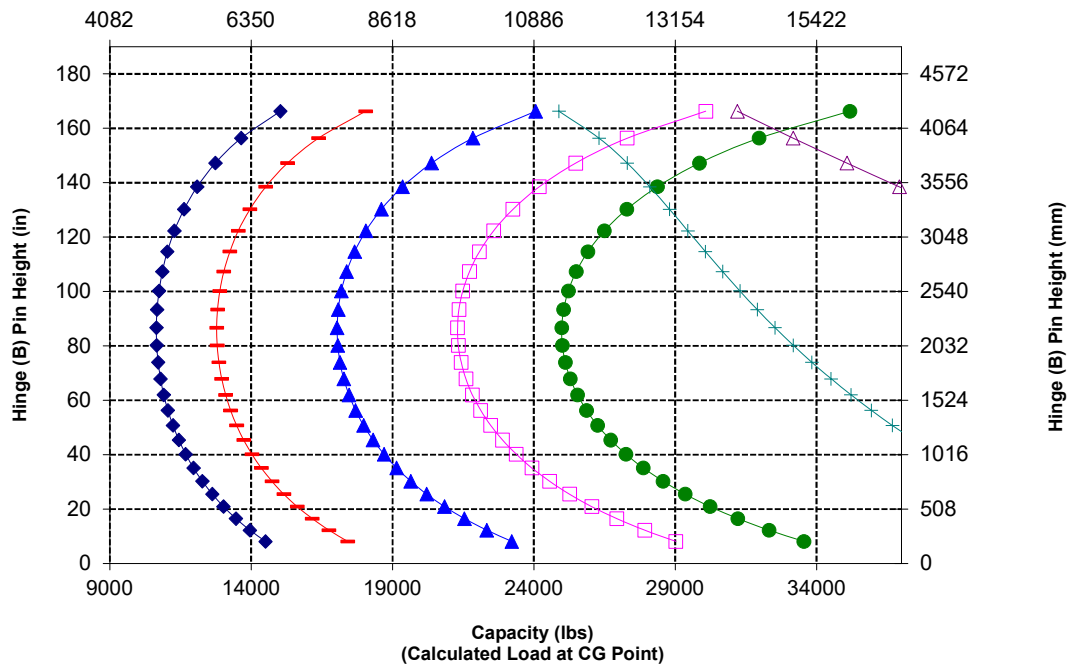
66" Tine

384-3214

*Build 14A
*Parallel Z-Bar Linkage
*Logging Configuration



Capacity (kg)
(Calculated Load at CG Point)



962 Forestry Machine Specifications

Fork Specifications

Fork Specifications

1	Tine length	mm	1677
		in	66.0
2	Fork width	mm	2236
		in	88.0
	End area	m2	1.39
		ft2	15
3	Inside Height (only applies to double top clamp)	mm	0
		in	0
4	Min. opening (only applies to millyard forks)	mm	330
		in	13
	Operating Weight	kg	21541
		lbs	47489
5	Distance inside of tine tips	mm	1904
		in	75
	Static tipping load, articulated Fork level	kg	8974
		lbs	19783.3
	Static tipping load, straight Fork level	kg	10600
		lbs	23367.9
6	Max. height of fork (w/clamp open if applicable)	mm	3148
		in	123.9
7	Clearance w/full lift, 45 deg dump (if max. dump <= 45)	mm	2535
		in	99.8
8	Clearance @ full lift fork level	mm	3923
		in	154.4
9	Reach w/full lift, 45 deg dump (if max. dump <= 45)	mm	1789
		in	70.4
10	Reach w/lift arm horizontal and fork level	mm	3492
		in	137.5
11	*Ground to Bottom of Tool at Minimum Height and Tool Level	mm	-94
		in	-3.7
12	Width over tines	mm	2184
		in	86.0
13	Reach @ ground level	mm	2930
		in	115
14	Max. opening across tine and clamp	mm	2914
		in	114.7
15	Overall height of fork @ full lift and clamp open	mm	7071
		in	278.4
16	Overall length	mm	9324
		in	367.1
17	Clearance @ full lift and max. dump Discharge (if <= 45)	mm	2357
		in	92.8
18	Clearance w/horizontal lift arms and fork level	mm	1770.9
		in	69.7
19	Reach @ full lift and fork level	mm	2612.9
		in	102.9
20	Max. discharge angle from horizontal	deg	54
		rad	0.9

*Negative values indicate below grade

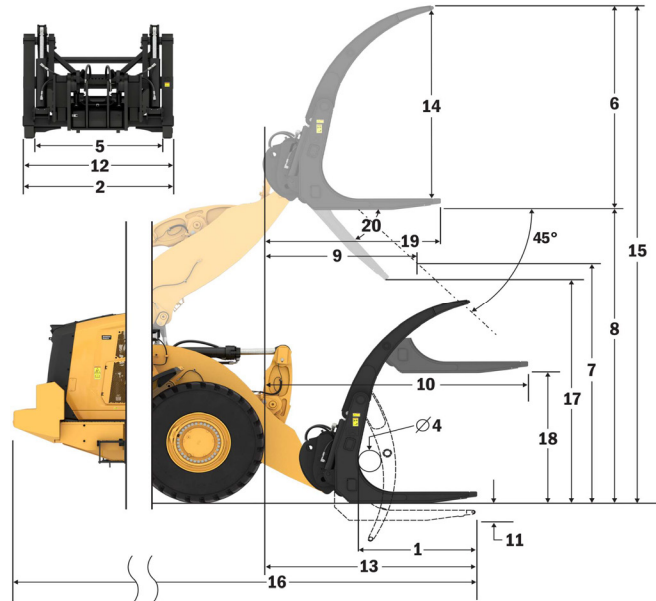
962 LOG

Milliard Pole Fork, FUSION

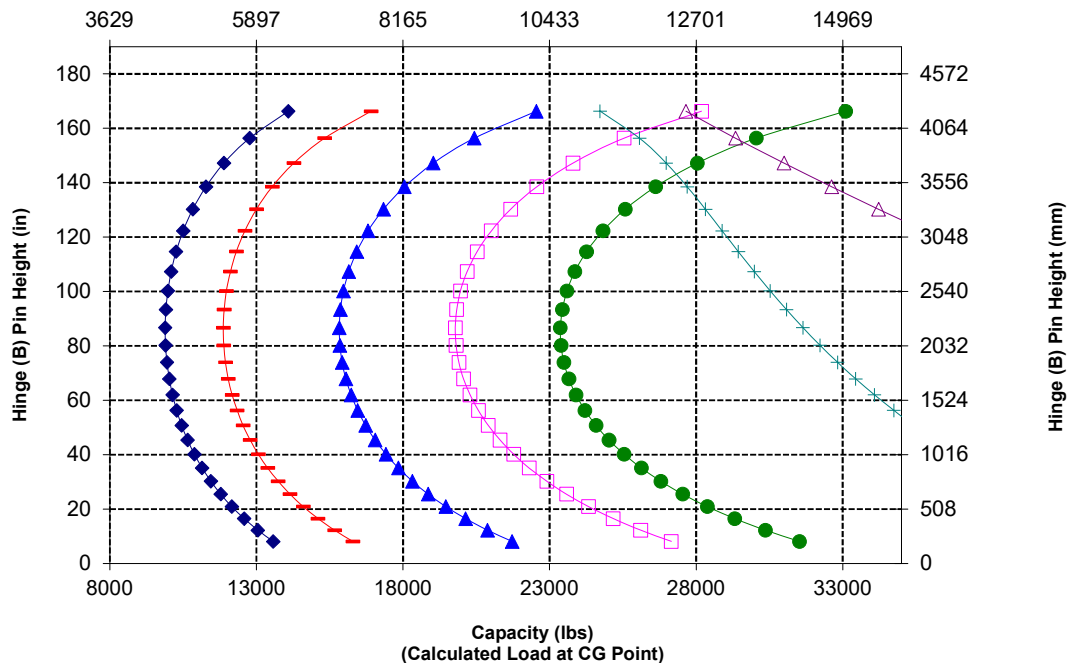
66" Tine

442-4392

*Build 14A
*Parallel Z-Bar Linkage
*Logging Configuration



Capacity (kg)
(Calculated Load at CG Point)



962 Forestry Machine Specifications

Fork Specifications

Fork Specifications

1	Tine length	mm	1677
		in	66.0
2	Fork width	mm	2236
		in	88.0
	End area	m ²	1.39
		ft ²	15
3	Inside Height (only applies to double top clamp)	mm	0
		in	0
4	Min. opening (only applies to millyard forks)	mm	330
		in	13
	Operating Weight	kg	20980
		lbs	46252
5	Distance inside of tine tips	mm	1904
		in	75
	Static tipping load, articulated Fork level	kg	9666
		lbs	21309.6
	Static tipping load, straight Fork level	kg	11338
		lbs	24994.9
6	Max. height of fork (w/clamp open if applicable)	mm	3144
		in	123.8
7	Clearance w/full lift, 45 deg dump (if max. dump <= 45)	mm	2550
		in	100.4
8	Clearance @ full lift fork level	mm	3847
		in	151.5
9	Reach w/full lift, 45 deg dump (if max. dump <= 45)	mm	1667
		in	65.6
10	Reach w/lift arm horizontal and fork level	mm	3394
		in	133.6
11	*Ground to Bottom of Tool at Minimum Height and Tool Level	mm	-170
		in	-6.7
12	Width over tines	mm	2184
		in	86.0
13	Reach @ ground level	mm	2885
		in	114
14	Max. opening across tine and clamp	mm	2914
		in	114.7
15	Overall height of fork @ full lift and clamp open	mm	6990
		in	275.2
16	Overall length Tip of tine to rear of machine	mm	9279
		in	365.3
17	Clearance @ full lift and max. dump Discharge (if <= 45)	mm	2535
		in	99.8
18	Clearance w/horizontal lift arms and fork level	mm	1695.0
		in	66.7
19	Reach @ full lift and fork level	mm	2515.4
		in	99.0
20	Max. discharge angle from horizontal	deg	46
		rad	0.8

*Negative values indicate below grade

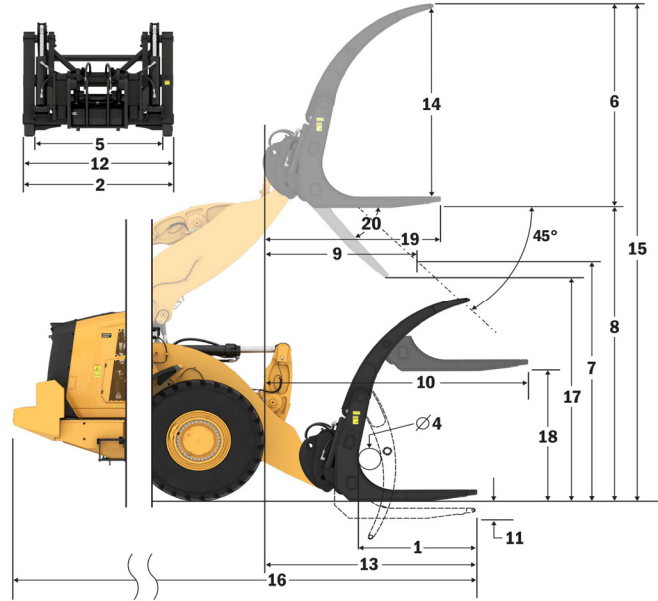
962 LOG

Milliard Pole Fork, Pin-On

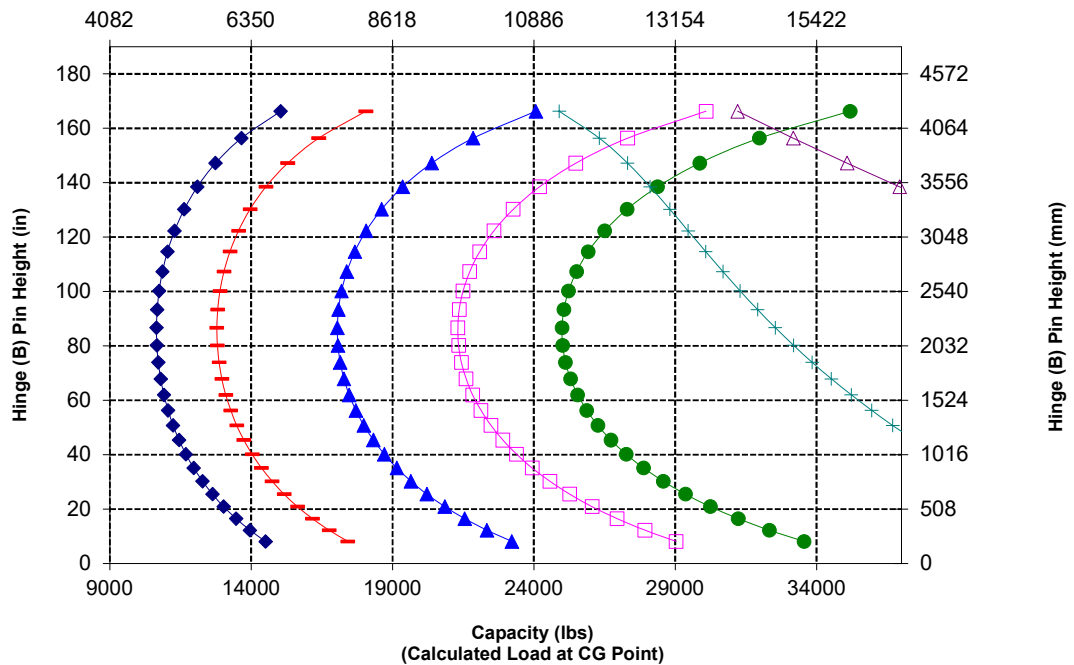
66" Tine

445-2466

*Build 14A
*Parallel Z-Bar Linkage
*Logging Configuration



Capacity (kg)
(Calculated Load at CG Point)



962 Forestry Machine Specifications

Fork Specifications

Fork Specifications

1	Tine length	mm	1677
		in	66.0
2	Fork width	mm	2236
		in	88.0
	End area	m ²	1.39
		ft ²	15
3	Inside Height (only applies to double top clamp)	mm	0
		in	0
4	Min. opening (only applies to millyard forks)	mm	330
		in	13
	Operating Weight	kg	21542
		lbs	47491
5	Distance inside of tine tips	mm	1904
		in	75
	Static tipping load, articulated Fork level	kg	8973
		lbs	19781.6
	Static tipping load, straight Fork level	kg	10599
		lbs	23366.2
6	Max. height of fork (w/clamp open if applicable)	mm	3148
		in	123.9
7	Clearance w/full lift, 45 deg dump (if max. dump <= 45)	mm	2539
		in	100.0
8	Clearance @ full lift fork level	mm	3923
		in	154.4
9	Reach w/full lift, 45 deg dump (if max. dump <= 45)	mm	1785
		in	70.3
10	Reach w/lift arm horizontal and fork level	mm	3485
		in	137.2
11	*Ground to Bottom of Tool at Minimum Height and Tool Level	mm	-94
		in	-3.7
12	Width over tines	mm	2184
		in	86.0
13	Reach @ ground level	mm	2924
		in	115
14	Max. opening across tine and clamp	mm	2914
		in	114.7
15	Overall height of fork @ full lift and clamp open	mm	7071
		in	278.4
16	Overall length	mm	9318
		in	366.9
17	Clearance @ full lift and max. dump Discharge (if <= 45)	mm	2362
		in	93.0
18	Clearance w/horizontal lift arms and fork level	mm	1770.9
		in	69.7
19	Reach @ full lift and fork level	mm	2606.7
		in	102.6
20	Max. discharge angle from horizontal	deg	54
		rad	0.9

*Negative values indicate below grade

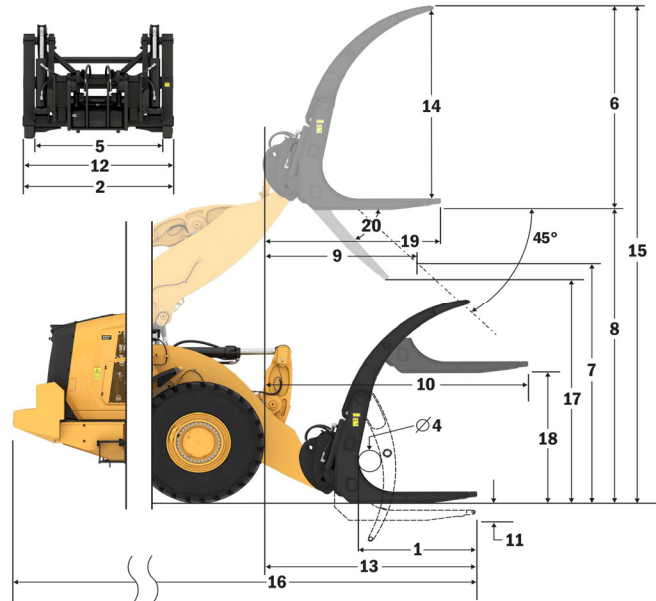
962 LOG

Milliard Pole Fork, FUSION

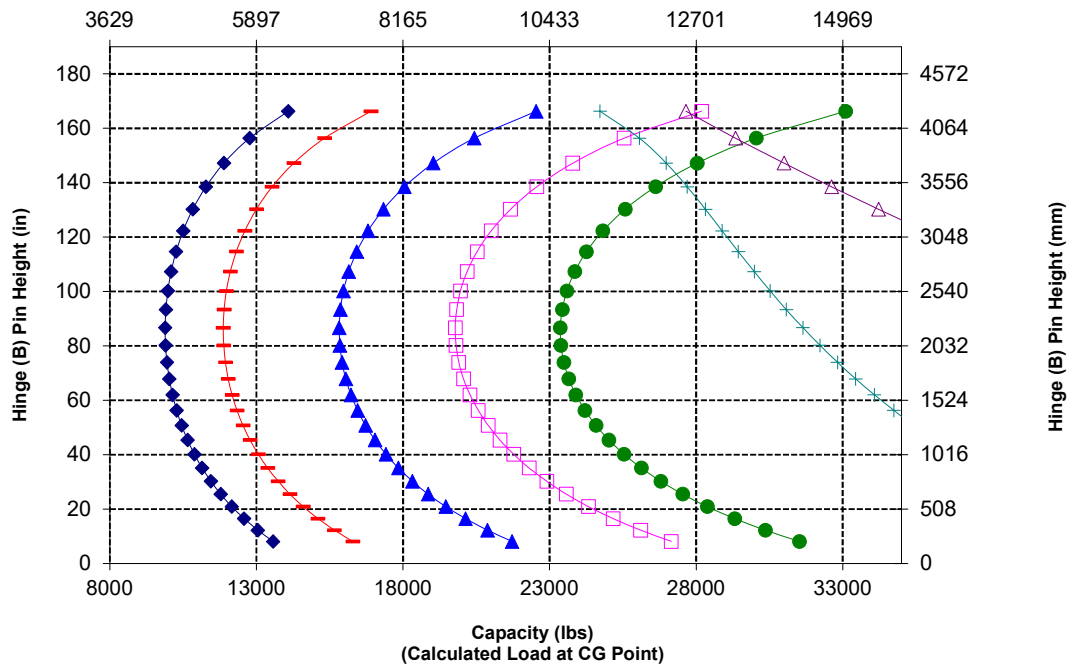
66" Tine

445-2489

*Build 14A
*Parallel Z-Bar Linkage
*Logging Configuration



Capacity (kg)
(Calculated Load at CG Point)



962 Forestry Machine Specifications

Fork Specifications

Fork Specifications

1	Tine length	mm	1609
		in	63.3
2	Fork width	mm	2332
		in	91.8
	End area	m ²	1.9
		ft ²	20
3	Inside Height (only applies to double top clamp)	mm	1381
		in	54
4	Min. opening (only applies to millyard forks)	mm	N/A
		in	N/A
	Operating Weight	kg	21413
		lbs	47206
5	Distance inside of tine tips	mm	1776
		in	70
	Static tipping load, articulated Fork level	kg	9652
		lbs	21279.2
	Static tipping load, straight Fork level	kg	11373
		lbs	25073.4
6	Max. height of fork (w/clamp open if applicable)	mm	2944
		in	115.9
7	Clearance w/full lift, 45 deg dump (if max. dump <= 45)	mm	2816
		in	110.9
8	Clearance @ full lift fork level	mm	3950
		in	155.5
9	Reach w/full lift, 45 deg dump (if max. dump <= 45)	mm	1545
		in	60.8
10	Reach w/lift arm horizontal and fork level	mm	3120
		in	122.8
11	*Ground to Bottom of Tool at Minimum Height and Tool Level	mm	-67
		in	-2.6
12	Width over tines	mm	2298
		in	90.5
13	Reach @ ground level	mm	2540
		in	100
14	Max. opening across tine and clamp	mm	2542
		in	100.1
15	Overall height of fork @ full lift and clamp open	mm	6893
		in	271.4
16	Overall length	mm	8934
	Tip of tine to rear of machine	in	351.7
17	Clearance @ full lift and max. dump Discharge (if <= 45)	mm	2803
		in	110.4
18	Clearance w/horizontal lift arms and fork level	mm	1797.7
		in	70.8
19	Reach @ full lift and fork level	mm	2241.2
		in	88.2
20	Max. discharge angle from horizontal	deg	46
		rad	0.8

*Negative values indicate below grade

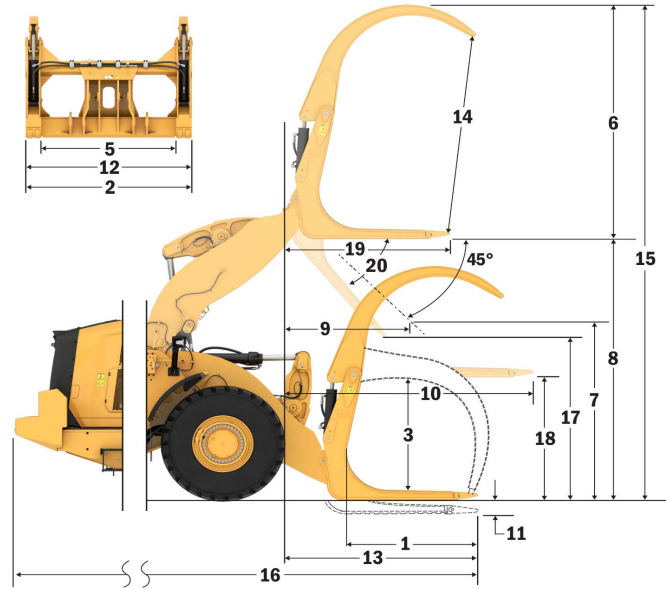
962 LOG

Logging Fork, Pin-On

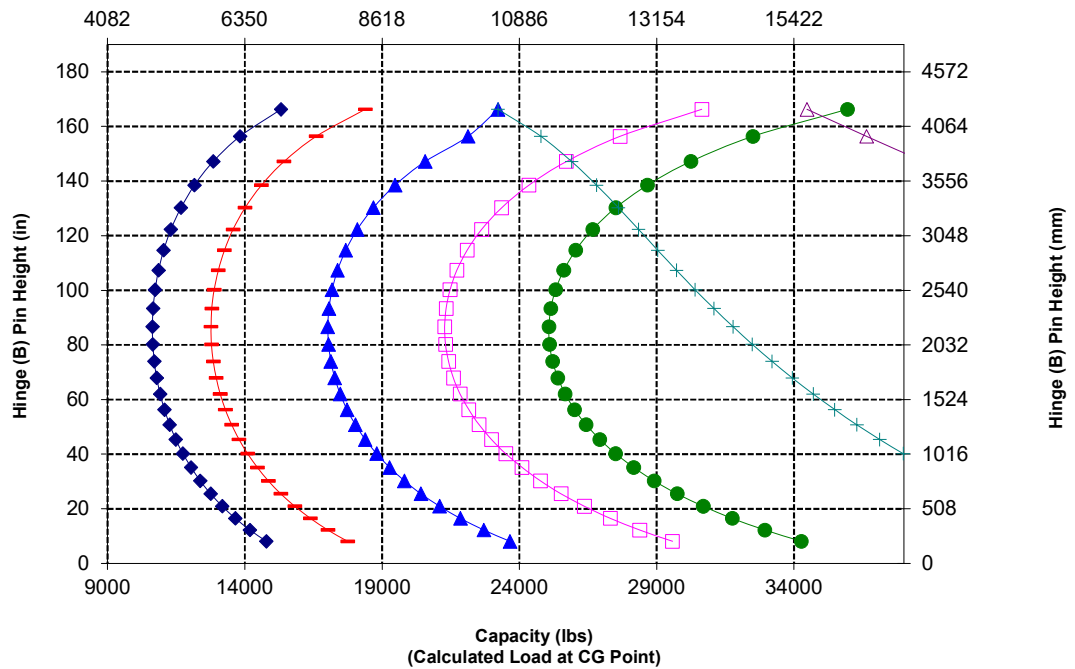
63" Tine

379-5408

*Build 14A
*Parallel Z-Bar Linkage
*Logging Configuration



Capacity (kg) (Calculated Load at CG Point)



962 Forestry Machine Specifications

Fork Specifications

Fork Specifications

1	Tine length	mm	762
		in	30.0
2	Fork width	mm	1846
		in	72.7
	End area	m ²	2
		ft ²	22
3	Inside Height (only applies to double top clamp)	mm	0
		in	0
4	Min. opening (only applies to millyard forks)	mm	1336
		in	53
	Operating Weight	kg	21436
		lbs	47257
5	Distance inside of tine tips	mm	1314
		in	52
	Static tipping load, articulated Fork level	kg	9305
		lbs	20514.5
	Static tipping load, straight Fork level	kg	10970
		lbs	24185.4
6	Max. height of fork (w/clamp open if applicable)	mm	2317
		in	91.2
7	Clearance w/full lift, 45 deg dump (if max. dump <> 45)	mm	3294
		in	129.7
8	Clearance @ full lift fork level	mm	3863
		in	152.1
9	Reach w/full lift, 45 deg dump (if max. dump <> 45)	mm	945
		in	37.2
10	Reach w/lift arm horizontal and fork level	mm	2357
		in	92.8
11	*Ground to Bottom of Tool at Minimum Height and Tool Level	mm	-154
		in	-6.1
12	Width over tines	mm	1832
		in	72.1
13	Reach @ ground level	mm	1837
		in	72
14	Max. opening across tine and clamp	mm	2785
		in	109.6
15	Overall height of fork @ full lift and clamp open	mm	6179
		in	243.3
16	Overall length	mm	8231
	Tip of tine to rear of machine	in	324.1
17	Clearance @ full lift and max. dump Discharge (if <> 45)	mm	3221
		in	126.8
18	Clearance w/horizontal lift arms and fork level	mm	1710.8
		in	67.4
19	Reach @ full lift and fork level	mm	1478.7
		in	58.2
20	Max. discharge angle from horizontal	deg	59
		rad	1.0

*Negative values indicate below grade

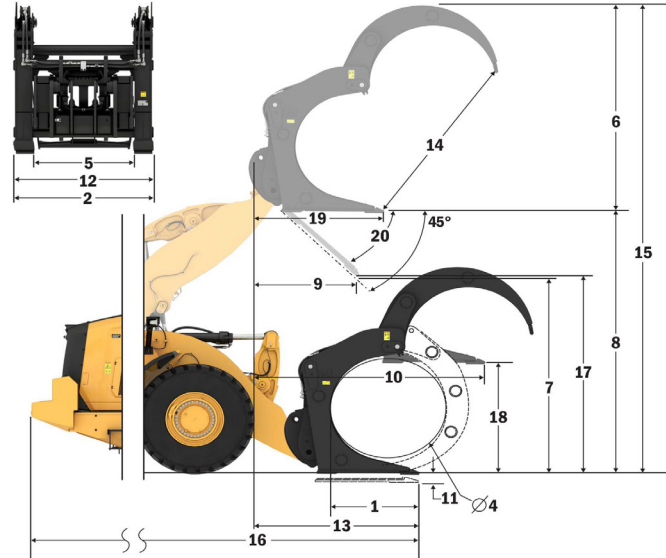
962 LOG

Grapple Fork, FUSION

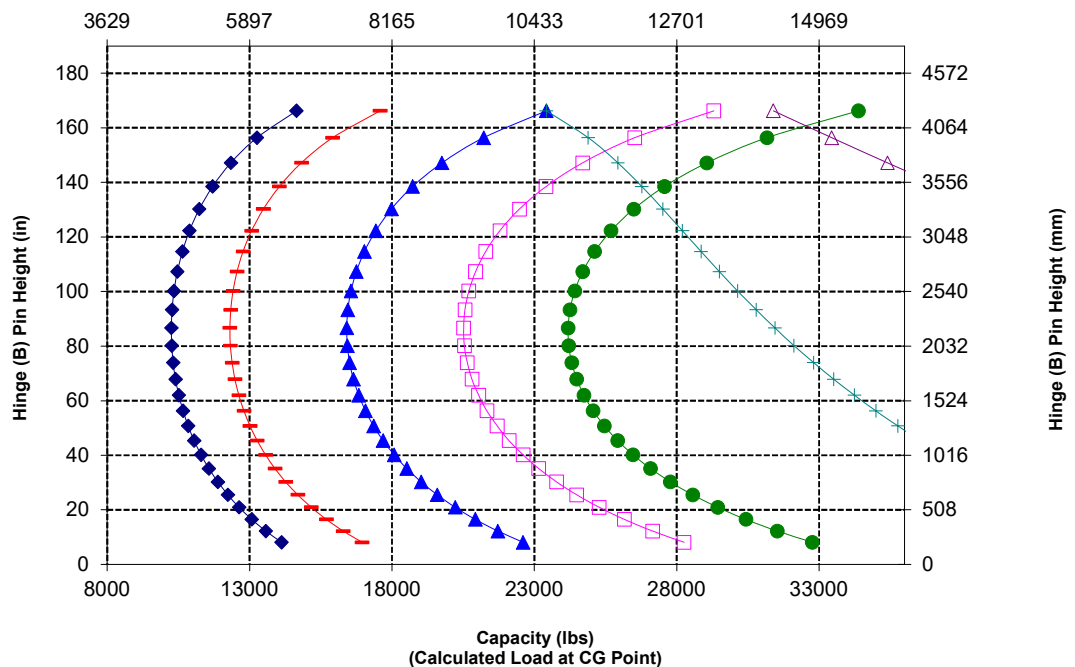
30" Tine

377-0722

*Build 14A
*Parallel Z-Bar Linkage
*Logging Configuration



Capacity (kg)
(Calculated Load at CG Point)



962 Forestry Machine Specifications

Fork Specifications

Fork Specifications

1	Tine length	mm	917
		in	36.1
2	Fork width	mm	1855
		in	73.0
	End area	m ²	2.5
		ft ²	27
3	Inside Height (only applies to double top clamp)	mm	0
		in	0
4	Min. opening (only applies to millyard forks)	mm	1450
		in	57
	Operating Weight	kg	21651
		lbs	47731
5	Distance inside of tine tips	mm	1314
		in	52
	Static tipping load, articulated Fork level	kg	8977
		lbs	19791.2
	Static tipping load, straight Fork level	kg	10618
		lbs	23407.8
6	Max. height of fork (w/clamp open if applicable)	mm	3433
		in	135.1
7	Clearance w/full lift, 45 deg dump (if max. dump <= 45)	mm	3211
		in	126.4
8	Clearance @ full lift fork level	mm	3862
		in	152.1
9	Reach w/full lift, 45 deg dump (if max. dump <= 45)	mm	1027
		in	40.4
10	Reach w/lift arm horizontal and fork level	mm	2474
		in	97.4
11	*Ground to Bottom of Tool at Minimum Height and Tool Level	mm	-155
		in	-6.1
12	Width over tines	mm	1850
		in	72.8
13	Reach @ ground level	mm	1954
		in	77
14	Max. opening across tine and clamp	mm	3123
		in	123.0
15	Overall height of fork @ full lift and clamp open	mm	7295
		in	287.2
16	Overall length	mm	8348
	Tip of tine to rear of machine	in	328.7
17	Clearance @ full lift and max. dump Discharge (if <= 45)	mm	3131
		in	123.3
18	Clearance w/horizontal lift arms and fork level	mm	1710.3
		in	67.3
19	Reach @ full lift and fork level	mm	1595.2
		in	62.8
20	Max. discharge angle from horizontal	deg	57
		rad	1.0

*Negative values indicate below grade

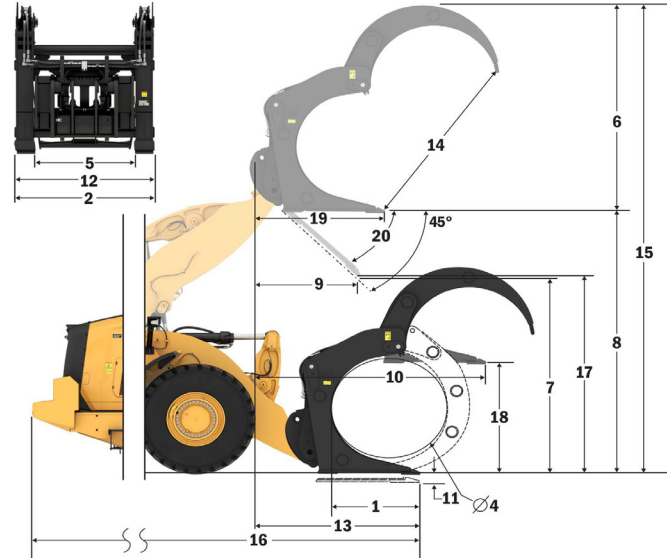
962 LOG

Grapple Fork, FUSION

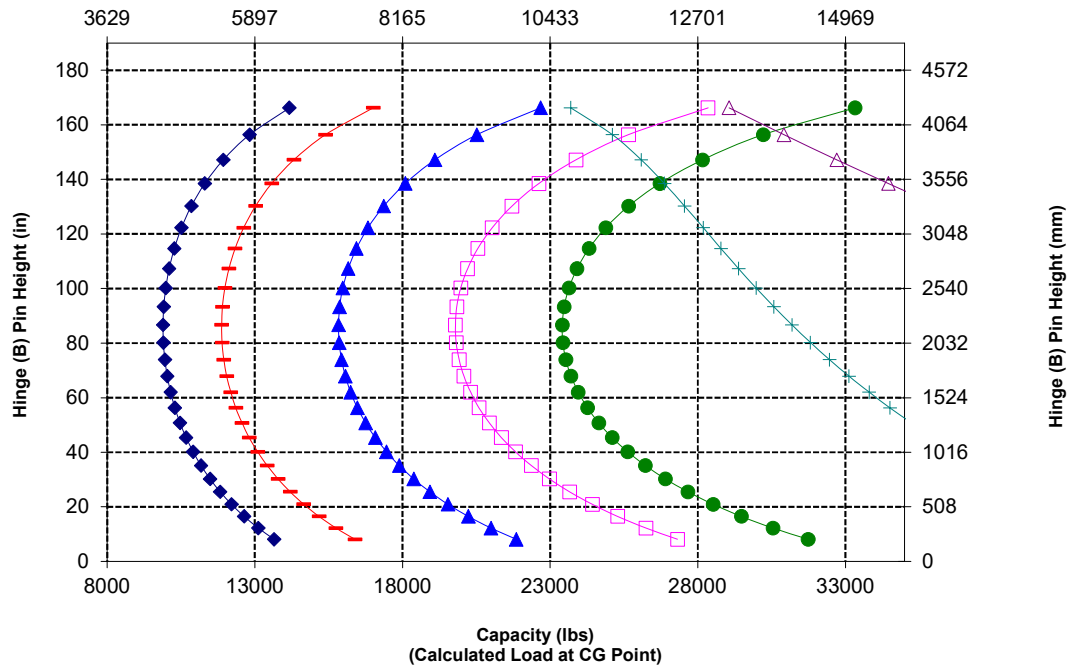
36" Tine

352-7339

*Build 14A
*Parallel Z-Bar Linkage
*Logging Configuration



Capacity (kg) (Calculated Load at CG Point)



Fork Specifications

Fork Specifications

1	Tine length	mm	917
		in	36.1
2	Fork width	mm	1855
		in	73.0
	End area	m ²	2.5
		ft ²	27
3	Inside Height (only applies to double top clamp)	mm	0
		in	0
4	Min. opening (only applies to millyard forks)	mm	1450
		in	57
	Operating Weight	kg	22075
		lbs	48666
5	Distance inside of tine tips	mm	1314
		in	52
	Static tipping load, articulated Fork level	kg	8328
		lbs	18360.0
	Static tipping load, straight Fork level	kg	9922
		lbs	21873.1
6	Max. height of fork (w/clamp open if applicable)	mm	3436
		in	135.3
7	Clearance w/full lift, 45 deg dump (if max. dump <= 45)	mm	3141
		in	123.6
8	Clearance @ full lift fork level	mm	3862
		in	152.1
9	Reach w/full lift, 45 deg dump (if max. dump <= 45)	mm	1098
		in	43.2
10	Reach w/lift arm horizontal and fork level	mm	2574
		in	101.3
11	*Ground to Bottom of Tool at Minimum Height and Tool Level	mm	-155
		in	-6.1
12	Width over tines	mm	1850
		in	72.8
13	Reach @ ground level	mm	2054
		in	81
14	Max. opening across tine and clamp	mm	3123
		in	123.0
15	Overall height of fork @ full lift and clamp open	mm	7298
		in	287.3
16	Overall length	mm	8448
		in	332.6
17	Clearance @ full lift and max. dump Discharge (if <= 45)	mm	3034
		in	119.4
18	Clearance w/horizontal lift arms and fork level	mm	1710.3
		in	67.3
19	Reach @ full lift and fork level	mm	1695.2
		in	66.7
20	Max. discharge angle from horizontal	deg	59
		rad	1.0

*Negative values indicate below grade

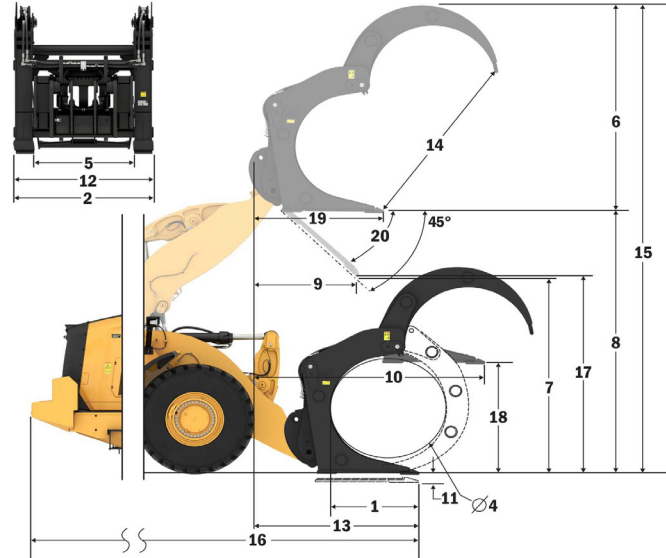
962 LOG

Grapple Fork, FUSION

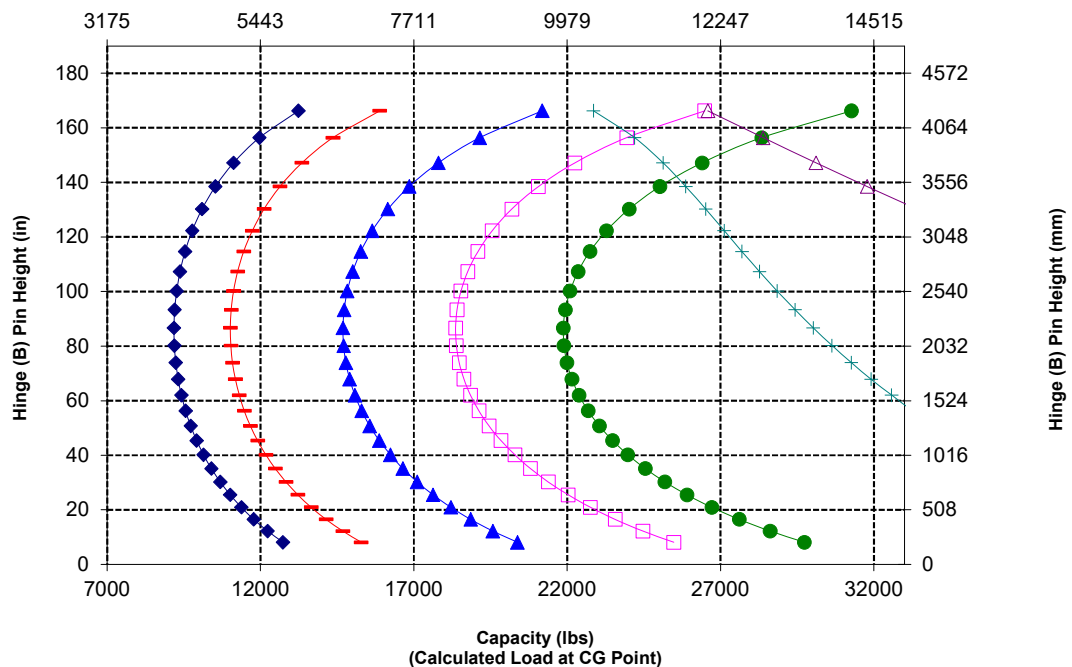
36" Tine

361-3084

*Build 14A
*Parallel Z-Bar Linkage
*Logging Configuration



Capacity (kg)
(Calculated Load at CG Point)



962 Forestry Machine Specifications

Fork Specifications

Fork Specifications

1	Tine length	mm	1220
		in	48.0
2	Fork width	mm	1855
		in	73.0
	End area	m ²	2.63
		ft ²	28
3	Inside Height (only applies to double top clamp)	mm	0
		in	0
4	Min. opening (only applies to millyard forks)	mm	1448
		in	57
	Operating Weight	kg	21812
		lbs	48086
5	Distance inside of tine tips	mm	1314
		in	52
	Static tipping load, articulated Fork level	kg	8720
		lbs	19223.1
	Static tipping load, straight Fork level	kg	10344
		lbs	22805.2
6	Max. height of fork (w/clamp open if applicable)	mm	3356
		in	132.1
7	Clearance w/full lift, 45 deg dump (if max. dump <= 45)	mm	3029
		in	119.3
8	Clearance @ full lift fork level	mm	3935
		in	154.9
9	Reach w/full lift, 45 deg dump (if max. dump <= 45)	mm	1312
		in	51.6
10	Reach w/lift arm horizontal and fork level	mm	2804
		in	110.4
11	*Ground to Bottom of Tool at Minimum Height and Tool Level	mm	-82
		in	-3.2
12	Width over tines	mm	1850
		in	72.8
13	Reach @ ground level	mm	2234
		in	88
14	Max. opening across tine and clamp	mm	3027
		in	119.2
15	Overall height of fork @ full lift and clamp open	mm	7291
		in	287.1
16	Overall length	mm	8628
		in	339.7
17	Clearance @ full lift and max. dump Discharge (if <= 45)	mm	2896
		in	114.0
18	Clearance w/horizontal lift arms and fork level	mm	1783.0
		in	70.2
19	Reach @ full lift and fork level	mm	1925.5
		in	75.8
20	Max. discharge angle from horizontal	deg	57
		rad	1.0

*Negative values indicate below grade

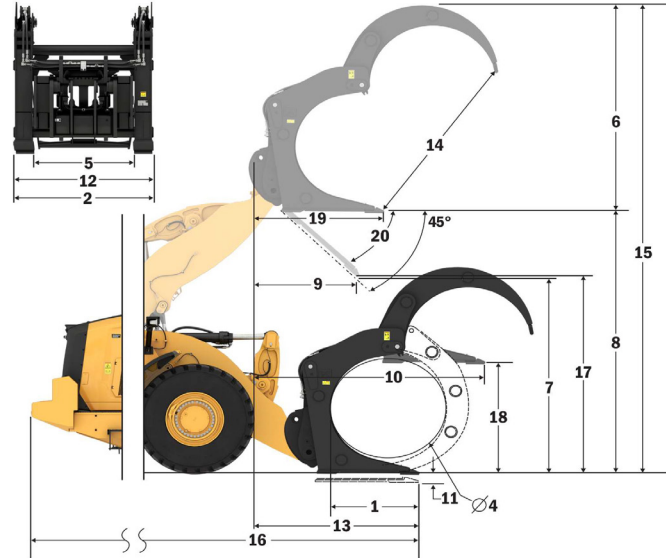
962 LOG

Grapple Fork, FUSION

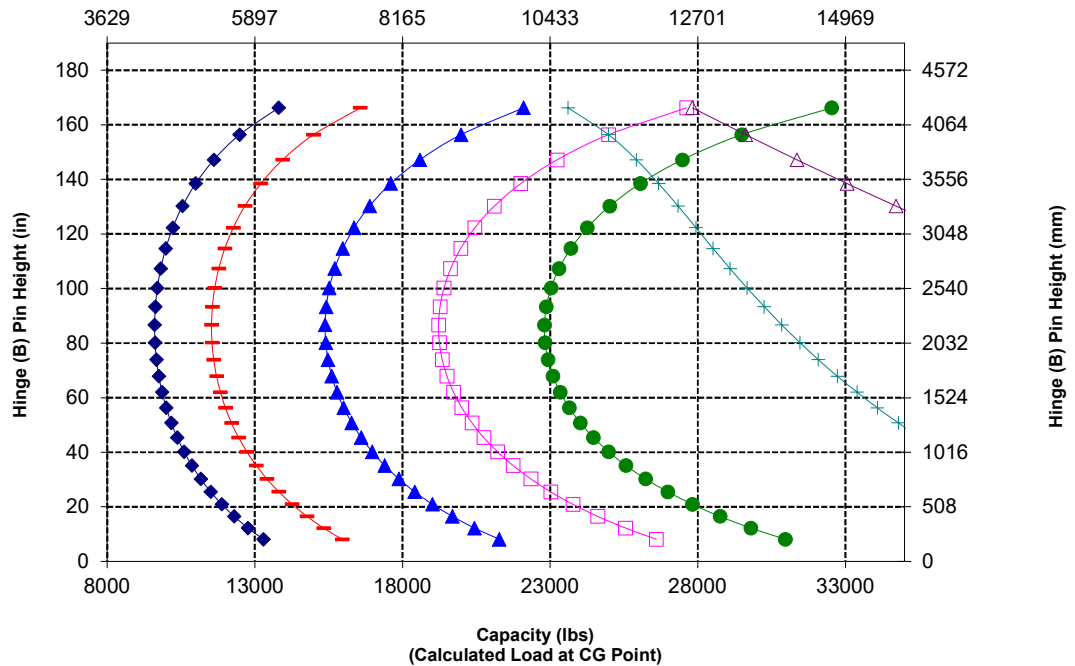
48" Tine

442-9358

*Build 14A
*Parallel Z-Bar Linkage
*Logging Configuration



Capacity (kg) (Calculated Load at CG Point)



NOTE: Static tipping loads and operating weight are based on the following loader configuration: Bridgestone VJT L3 Tires, Air Conditioning, Ride Control, Powertrain Guard, Full Fluids, Fuel Tank, Coolant, Lubricants, and Operator.

Specifications and ratings conform to the following standards: SAE* J1197, ISO 14397-1, CEN** EN 474-3.

The rated operating load for a loader equipped with a pallet fork is determined by:
SAE J1197: 50% of full turn static tipping load or hydraulic limit.
CEN EN 474-3: 60% of full turn static tipping load on rough terrain or hydraulic limit.
CEN EN 474-3: 80% of full turn static tipping load on firm and level ground or hydraulic limit.

*SAE - Society of Automotive Engineers

**CEN - European Committee for Standardization

Fork Specifications

Fork Specifications

1	Tine Length	mm	1219
		in	48.0
2	Load Center	mm	610
		in	24.0
	Static Tipping Load - Straight (Forks Level)	kg	12368
		lbs	27260
	Static Tipping Load - Articulated (Forks Level)	kg	10675
		lbs	23529
	Rated Load (SAE J1197 - 50% FTSTL)	kg	5338
		lbs	11764
	Rated Load (CEN EN 474-3 Rough Terrain - 60% FTSTL)	kg	6405
		lbs	14117
	Rated Load (CEN EN 474-3 Firm and Level Ground - 80% FTSTL)	kg	8540
		lbs	18823
3	Maximum Overall Length	mm	8855
		in	348.6
4	Reach with Forks at Ground Level	mm	1242
		in	48.9
5	*Ground to Bottom of Tine at Minimum Height and Fork Level	mm	-84
		in	-3.3
6	Reach with Arms Horizontal and Forks Level	mm	1765
		in	69.5
7	Reach with Fork at Maximum Height	mm	886
		in	34.9
8	Ground to Top of Tine with Arms Horizontal and Fork Level	mm	1846
		in	72.7
9	Ground to Top of Tine at Maximum Height and Fork Level	mm	3997
		in	157.4
10	Overall Height of Fork at Full Lift (top of carriage to ground)	mm	5533
		in	217.8
11	Clearance at Full Lift and Max Dump	mm	2888
		in	113.7
12	Max Discharge Angle from Horizontal	deg	46
13	Overall Carriage Width	mm	2470
		in	97.3
14	Overall Carriage Height	mm	1601
		in	63.0
15	Outside Tine Width (max spread)	mm	2366
		in	93.1
16	Outside Tine Width (min spread)	mm	1002
		in	39.4
	Tine Width (single tine)	mm	180.0
		in	7.1
	Tine Thickness	mm	65.0
		in	2.6
	Tine Capacity	kg	10500
		lbs	23142
	Operating Weight	kg	20077
		lbs	44249

*Negative values indicate below grade

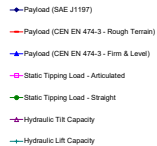
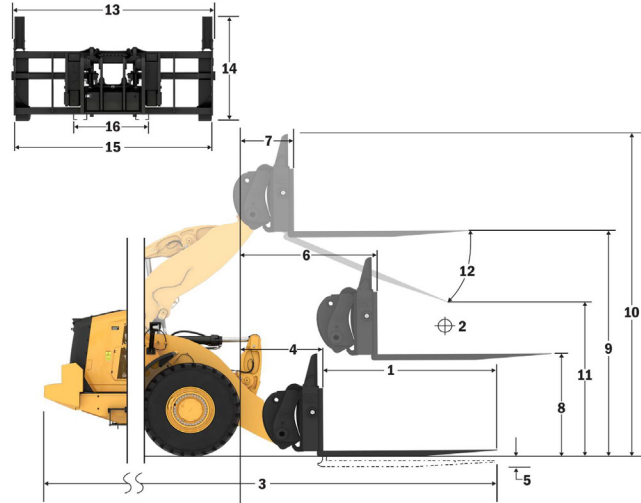
962 LOG

Log & Lumber Fork, No TC, Pin-On

48" Tine

379-2323

*Build 14A
*Parallel Z-Bar Linkage
*Logging Configuration



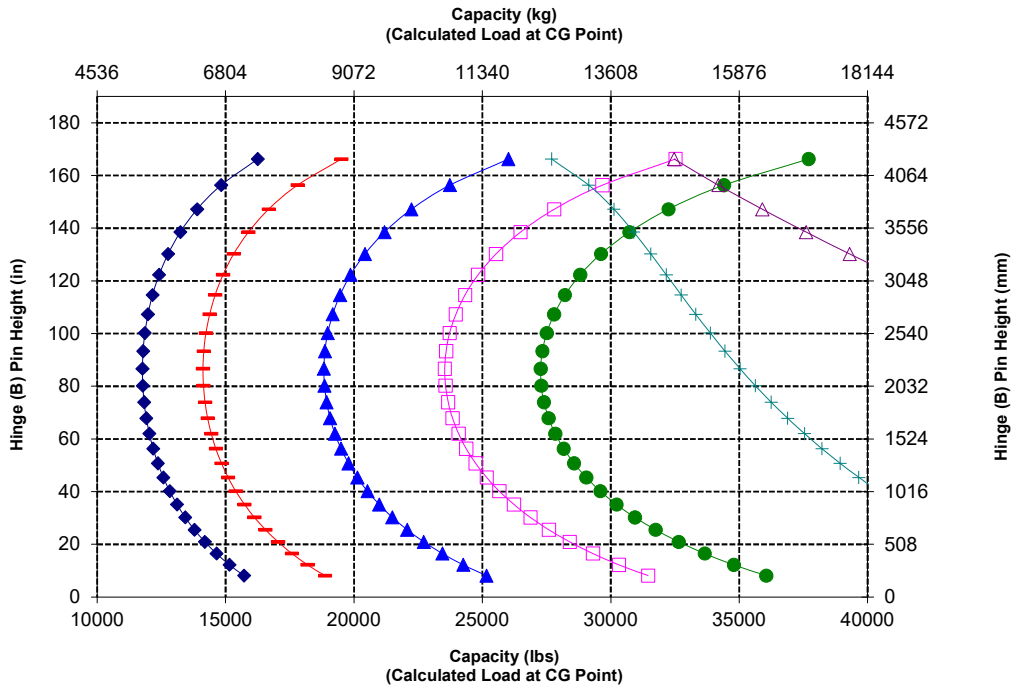
NOTE: Static tipping loads and operating weight are based on the following loader configuration: Bridgestone VJT L3 Tires, Air Conditioning, Ride Control, Powertrain Guard, Full Fluids, Fuel Tank, Coolant, Lubricants, and Operator.

Specifications and ratings conform to the following standards: SAE* J1197, ISO 14397-1, CEN** EN 474-3.

The rated operating load for a loader equipped with a pallet fork is determined by:
SAE J1197: 50% of full turn static tipping load or hydraulic limit.
CEN EN 474-3: 60% of full turn static tipping load on rough terrain or hydraulic limit.
CEN EN 474-3: 80% of full turn static tipping load on firm and level ground or hydraulic limit.

*SAE - Society of Automotive Engineers

**CEN - European Committee for Standardization



WARNING: Do not exceed tine load capacity. Individual tine capacity is stamped on the side of each tine.

962 Forestry Machine Specifications

Fork Specifications

Fork Specifications

1	Tine Length	mm	1219
		in	48.0
2	Load Center	mm	610
		in	24.0
	Static Tipping Load - Straight (Forks Level)	kg	11676
		lbs	25734
	Static Tipping Load - Articulated (Forks Level)	kg	10028
		lbs	22101
	Rated Load (SAE J1197 - 50% FTSTL)	kg	5014
		lbs	11051
	Rated Load (CEN EN 474-3 Rough Terrain - 60% FTSTL)	kg	6017
		lbs	13261
	Rated Load (CEN EN 474-3 Firm and Level Ground - 80% FTSTL)	kg	8022
		lbs	17681
3	Maximum Overall Length	mm	8941
		in	352.0
4	Reach with Forks at Ground Level	mm	1328
		in	52.3
5	*Ground to Bottom of Tine at Minimum Height and Fork Level	mm	-83
		in	-3.3
6	Reach with Arms Horizontal and Forks Level	mm	1853
		in	72.9
7	Reach with Fork at Maximum Height	mm	974
		in	38.3
8	Ground to Top of Tine with Arms Horizontal and Fork Level	mm	1847
		in	72.7
9	Ground to Top of Tine at Maximum Height and Fork Level	mm	3999
		in	157.5
10	Overall Height of Fork at Full Lift (top of carriage to ground)	mm	5537
		in	218.0
11	Clearance at Full Lift and Max Dump	mm	2762
		in	108.7
12	Max Discharge Angle from Horizontal	deg	50
13	Overall Carriage Width	mm	2470
		in	97.3
14	Overall Carriage Height	mm	1603
		in	63.1
15	Outside Tine Width (max spread)	mm	2366
		in	93.1
16	Outside Tine Width (min spread)	mm	1002
		in	39.4
	Tine Width (single tine)	mm	180.0
		in	7.1
	Tine Thickness	mm	65.0
		in	2.6
	Tine Capacity	kg	10500
		lbs	23142
	Operating Weight	kg	20580
		lbs	45358

*Negative values indicate below grade

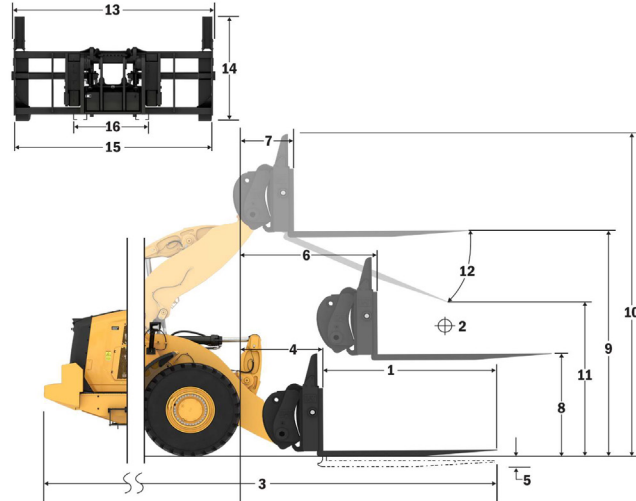
962 LOG

Log & Lumber Fork, No TC, FUSION

48" Tine

379-2063

*Build 14A
*Parallel Z-Bar Linkage
*Logging Configuration



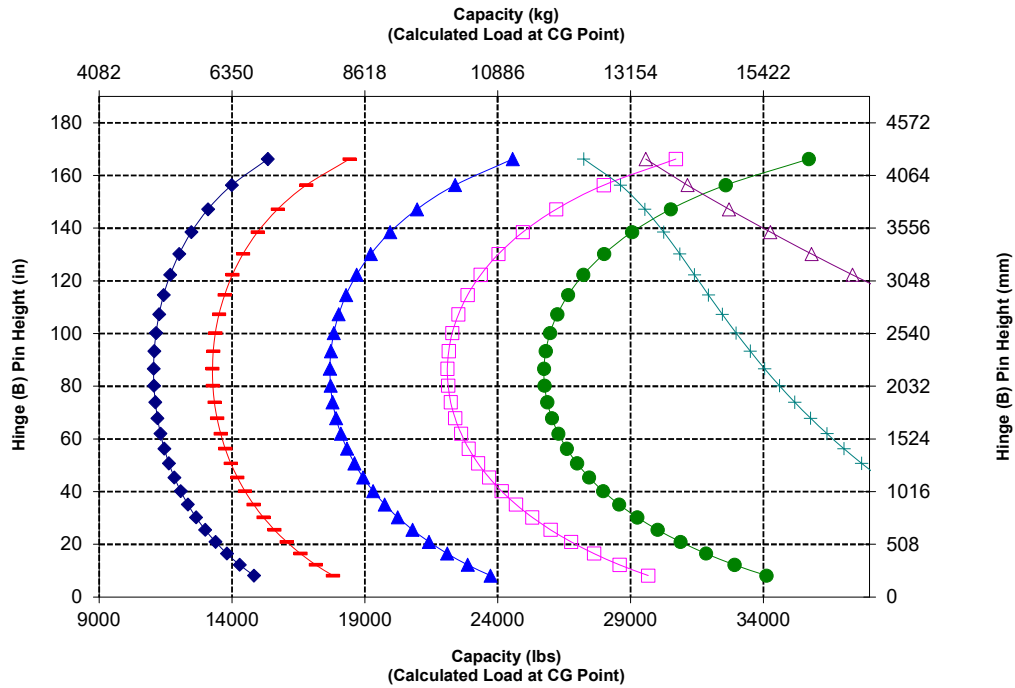
- ◆ Payload (SAE J1197)
- ◆ Payload (CEN EN 474-3 - Rough Terrain)
- ◆ Payload (CEN EN 474-3 - Firm & Level)
- ◆ Static Tipping Load - Articulated
- ◆ Static Tipping Load - Straight
- ◆ Hydraulic Tilt Capacity
- ◆ Hydraulic Lift Capacity

NOTE: Static tipping loads and operating weight are based on the following loader configuration: Bridgestone VJT L3 Tires, Air Conditioning, Ride Control, Powertrain Guard, Full Fluids, Fuel Tank, Coolant, Lubricants, and Operator.

Specifications and ratings conform to the following standards: SAE* J1197, ISO 14397-1, CEN** EN 474-3.

The rated operating load for a loader equipped with a pallet fork is determined by:
SAE J1197: 50% of full turn static tipping load or hydraulic limit.
CEN EN 474-3: 60% of full turn static tipping load on rough terrain or hydraulic limit.
CEN EN 474-3: 80% of full turn static tipping load on firm and level ground or hydraulic limit.

*SAE - Society of Automotive Engineers
**CEN - European Committee for Standardization



WARNING: Do not exceed tine load capacity. Individual tine capacity is stamped on the side of each tine.

Fork Specifications

Fork Specifications

1	Tine Length	mm	1219
		in	48.0
2	Load Center	mm	610
		in	24.0
	Static Tipping Load - Straight (Forks Level)	kg	11668
		lbs	25716
	Static Tipping Load - Articulated (Forks Level)	kg	10023
		lbs	22090
	Rated Load (SAE J1197 - 50% FTSTL)	kg	5011
		lbs	11045
	Rated Load (CEN EN 474-3 Rough Terrain - 60% FTSTL)	kg	6014
		lbs	13254
	Rated Load (CEN EN 474-3 Firm and Level Ground - 80% FTSTL)	kg	8018
		lbs	17672
3	Maximum Overall Length	mm	8948
		in	352.3
4	Reach with Forks at Ground Level	mm	1335
		in	52.5
5	*Ground to Bottom of Tine at Minimum Height and Fork Level	mm	-83
		in	-3.3
6	Reach with Arms Horizontal and Forks Level	mm	1859
		in	73.2
7	Reach with Fork at Maximum Height	mm	980
		in	38.6
8	Ground to Top of Tine with Arms Horizontal and Fork Level	mm	1847
		in	72.7
9	Ground to Top of Tine at Maximum Height and Fork Level	mm	3999
		in	157.5
10	Overall Height of Fork at Full Lift (top of carriage to ground)	mm	5535
		in	217.9
11	Clearance at Full Lift and Max Dump	mm	2757
		in	108.6
12	Max Discharge Angle from Horizontal	deg	50
13	Overall Carriage Width	mm	2176
		in	85.7
14	Overall Carriage Height	mm	1601
		in	63.0
15	Outside Tine Width (max spread)	mm	2084
		in	82.0
16	Outside Tine Width (min spread)	mm	1002
		in	39.4
	Tine Width (single tine)	mm	180.0
		in	7.1
	Tine Thickness	mm	65.0
		in	2.6
	Tine Capacity	kg	10500
		lbs	23142
	Operating Weight	kg	20560
		lbs	45313

*Negative values indicate below grade

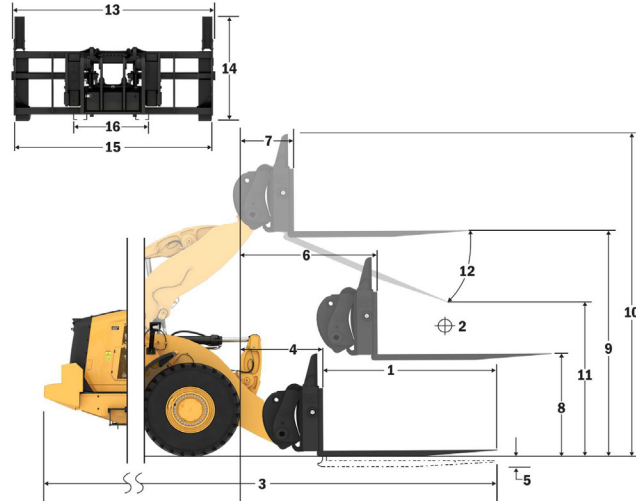
962 LOG

Log & Lumber Fork, No TC, FUSION

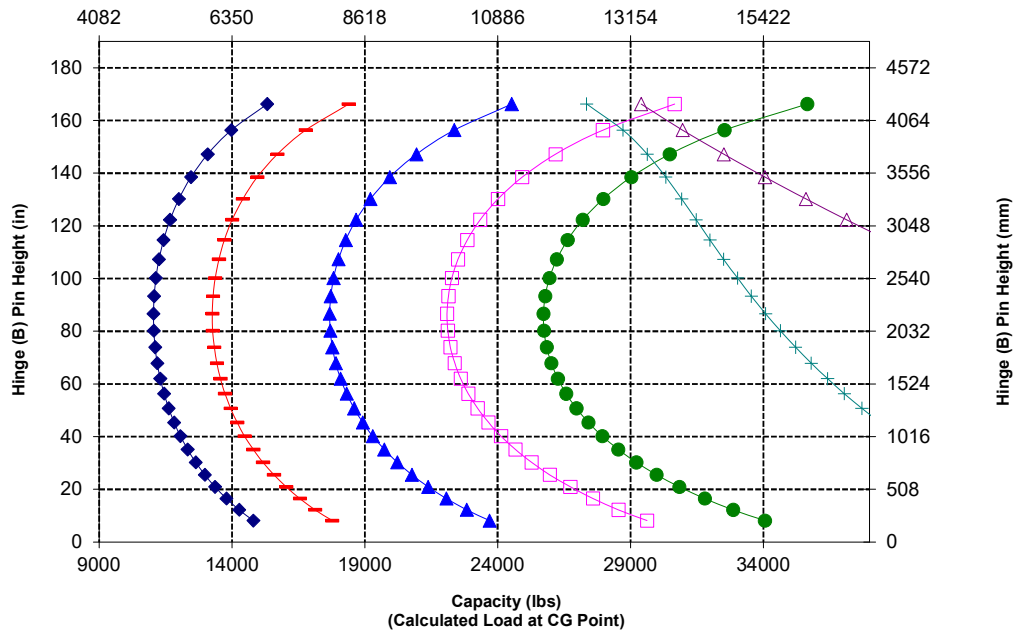
48" Tine

435-4068

*Build 14A
*Parallel Z-Bar Linkage
*Logging Configuration



Capacity (kg)
(Calculated Load at CG Point)



NOTE: Static tipping loads and operating weight are based on the following loader configuration: Bridgestone VJT L3 Tires, Air Conditioning, Ride Control, Powertrain Guard, Full Fluids, Fuel Tank, Coolant, Lubricants, and Operator.

Specifications and ratings conform to the following standards: SAE* J1197, ISO 14397-1, CEN** EN 474-3.

The rated operating load for a loader equipped with a pallet fork is determined by:
SAE J1197: 50% of full turn static tipping load or hydraulic limit.
CEN EN 474-3: 60% of full turn static tipping load on rough terrain or hydraulic limit.
CEN EN 474-3: 80% of full turn static tipping load on firm and level ground or hydraulic limit.

*SAE - Society of Automotive Engineers

**CEN - European Committee for Standardization



WARNING: Do not exceed tine load capacity. Individual tine capacity is stamped on the side of each tine.

962 Forestry Machine Specifications

Fork Specifications

Fork Specifications

1	Tine Length	mm	1524
		in	60.0
2	Load Center	mm	762
		in	30.0
	Static Tipping Load - Straight (Forks Level)	kg	10902
		lbs	24028
	Static Tipping Load - Articulated (Forks Level)	kg	9338
		lbs	20581
	Rated Load (SAE J1197 - 50% FTSTL)	kg	4669
		lbs	10290
	Rated Load (CEN EN 474-3 Rough Terrain - 60% FTSTL)	kg	5603
		lbs	12348
	Rated Load (CEN EN 474-3 Firm and Level Ground - 80% FTSTL)	kg	7470
		lbs	16465
3	Maximum Overall Length	mm	9294
		in	365.9
4	Reach with Forks at Ground Level	mm	1376
		in	54.2
5	*Ground to Bottom of Tine at Minimum Height and Fork Level	mm	-83
		in	-3.3
6	Reach with Arms Horizontal and Forks Level	mm	1884
		in	74.2
7	Reach with Fork at Maximum Height	mm	1005
		in	39.6
8	Ground to Top of Tine with Arms Horizontal and Fork Level	mm	1872
		in	73.7
9	Ground to Top of Tine at Maximum Height and Fork Level	mm	4024
		in	158.4
10	Overall Height of Fork at Full Lift (top of carriage to ground)	mm	5537
		in	218.0
11	Clearance at Full Lift and Max Dump	mm	2505
		in	98.6
12	Max Discharge Angle from Horizontal	deg	50
13	Overall Carriage Width	mm	2470
		in	97.3
14	Overall Carriage Height	mm	1603
		in	63.1
15	Outside Tine Width (max spread)	mm	2366
		in	93.1
16	Outside Tine Width (min spread)	mm	1002
		in	39.4
	Tine Width (single tine)	mm	180.0
		in	7.1
	Tine Thickness	mm	90.0
		in	3.5
	Tine Capacity	kg	15906
		lbs	35057
	Operating Weight	kg	20781
		lbs	45801

*Negative values indicate below grade

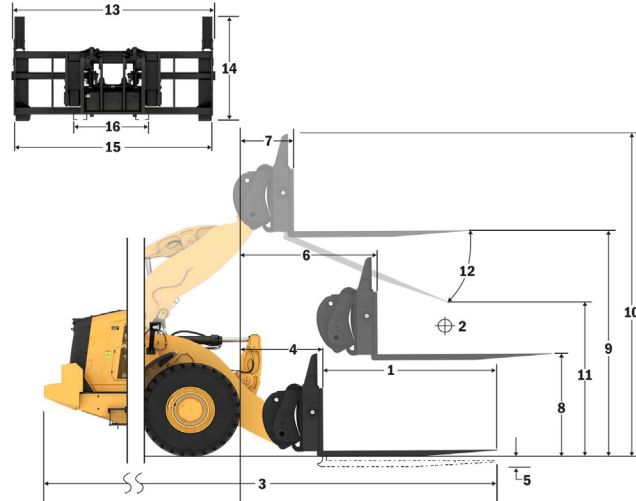
962 LOG

Log & Lumber Fork, No TC, FUSION

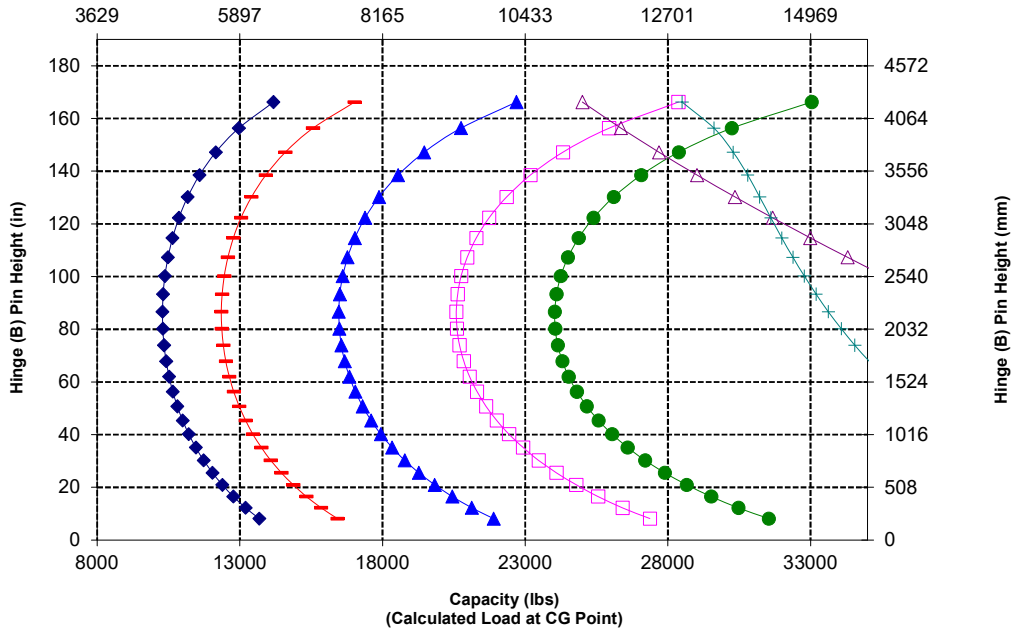
60" Tine

379-2109

*Build 14A
*Parallel Z-Bar Linkage
*Logging Configuration



Capacity (kg)
(Calculated Load at CG Point)



NOTE: Static tipping loads and operating weight are based on the following loader configuration: Bridgestone VJT L3 Tires, Air Conditioning, Ride Control, Powertrain Guard, Full Fluids, Fuel Tank, Coolant, Lubricants, and Operator.

Specifications and ratings conform to the following standards: SAE* J1197, ISO 14397-1, CEN** EN 474-3.

The rated operating load for a loader equipped with a pallet fork is determined by:
SAE J1197: 50% of full turn static tipping load or hydraulic limit.
CEN EN 474-3: 60% of full turn static tipping load on rough terrain or hydraulic limit.
CEN EN 474-3: 80% of full turn static tipping load on firm and level ground or hydraulic limit.

*SAE - Society of Automotive Engineers

**CEN - European Committee for Standardization



WARNING: Do not exceed tine load capacity. Individual tine capacity is stamped on the side of each tine.

962 Forestry Machine Specifications

Fork Specifications

Fork Specifications

1	Tine Length	mm	1524
		in	60.0
2	Load Center	mm	762
		in	30.0
	Static Tipping Load - Straight (Forks Level)	kg	11544
		lbs	25443
	Static Tipping Load - Articulated (Forks Level)	kg	9940
		lbs	21907
	Rated Load (SAE J1197 - 50% FTSTL)	kg	4970
		lbs	10954
	Rated Load (CEN EN 474-3 Rough Terrain - 60% FTSTL)	kg	5964
		lbs	13144
	Rated Load (CEN EN 474-3 Firm and Level Ground - 80% FTSTL)	kg	7952
		lbs	17526
3	Maximum Overall Length	mm	9201
		in	362.3
4	Reach with Forks at Ground Level	mm	1283
		in	50.5
5	*Ground to Bottom of Tine at Minimum Height and Fork Level	mm	-84
		in	-3.3
6	Reach with Arms Horizontal and Forks Level	mm	1790
		in	70.5
7	Reach with Fork at Maximum Height	mm	911
		in	35.9
8	Ground to Top of Tine with Arms Horizontal and Fork Level	mm	1871
		in	73.6
9	Ground to Top of Tine at Maximum Height and Fork Level	mm	4022
		in	158.4
10	Overall Height of Fork at Full Lift (top of carriage to ground)	mm	5533
		in	217.8
11	Clearance at Full Lift and Max Dump	mm	2652
		in	104.4
12	Max Discharge Angle from Horizontal	deg	46
13	Overall Carriage Width	mm	2470
		in	97.3
14	Overall Carriage Height	mm	1601
		in	63.0
15	Outside Tine Width (max spread)	mm	2366
		in	93.1
16	Outside Tine Width (min spread)	mm	1002
		in	39.4
	Tine Width (single tine)	mm	180.0
		in	7.1
	Tine Thickness	mm	90.0
		in	3.5
	Tine Capacity	kg	15906
		lbs	35057
	Operating Weight	kg	20278
		lbs	44692

*Negative values indicate below grade

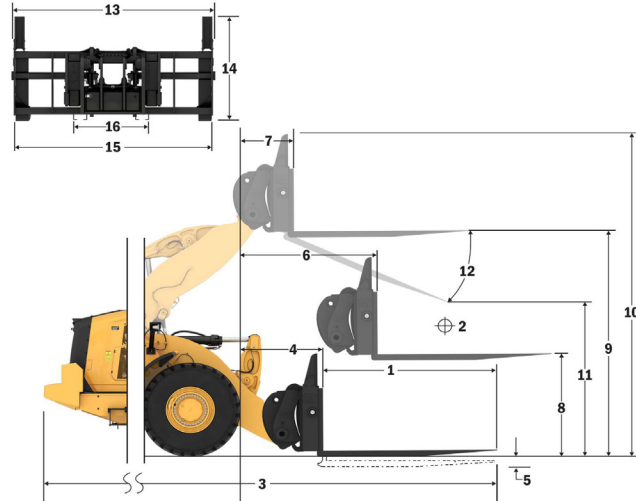
962 LOG

Log & Lumber Fork, No TC, Pin-On

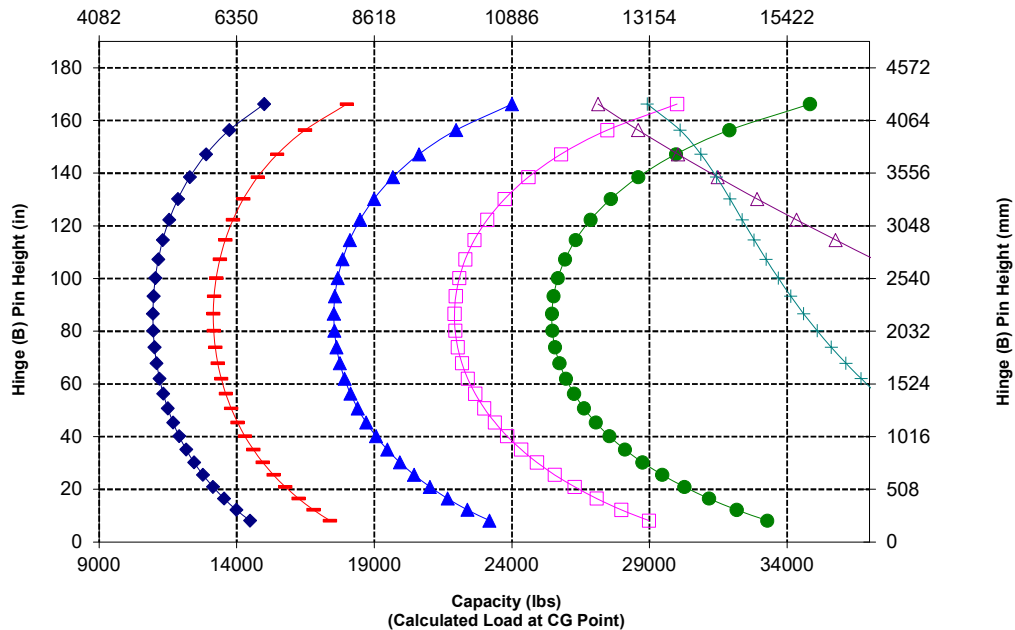
60" Tine

379-2340

*Build 14A
*Parallel Z-Bar Linkage
*Logging Configuration



Capacity (kg)
(Calculated Load at CG Point)



NOTE: Static tipping loads and operating weight are based on the following loader configuration: Bridgestone VJT L3 Tires, Air Conditioning, Ride Control, Powertrain Guard, Full Fluids, Fuel Tank, Coolant, Lubricants, and Operator.

Specifications and ratings conform to the following standards: SAE* J1197, ISO 14397-1, CEN** EN 474-3.

The rated operating load for a loader equipped with a pallet fork is determined by:
SAE J1197: 50% of full turn static tipping load or hydraulic limit.
CEN EN 474-3: 60% of full turn static tipping load on rough terrain or hydraulic limit.
CEN EN 474-3: 80% of full turn static tipping load on firm and level ground or hydraulic limit.

*SAE - Society of Automotive Engineers

**CEN - European Committee for Standardization



WARNING: Do not exceed tine load capacity. Individual tine capacity is stamped on the side of each tine.

962 Forestry Machine Specifications

Fork Specifications

Fork Specifications

1	Tine Length	mm	1524
		in	60.0
2	Load Center	mm	762
		in	30.0
	Static Tipping Load - Straight (Forks Level)	kg	10895
		lbs	24013
	Static Tipping Load - Articulated (Forks Level)	kg	9334
		lbs	20572
	Rated Load (SAE J1197 - 50% FTSTL)	kg	4667
		lbs	10286
	Rated Load (CEN EN 474-3 Rough Terrain - 60% FTSTL)	kg	5600
		lbs	12343
	Rated Load (CEN EN 474-3 Firm and Level Ground - 80% FTSTL)	kg	7467
		lbs	16458
3	Maximum Overall Length	mm	9294
		in	365.9
4	Reach with Forks at Ground Level	mm	1376
		in	54.2
5	*Ground to Bottom of Tine at Minimum Height and Fork Level	mm	-83
		in	-3.3
6	Reach with Arms Horizontal and Forks Level	mm	1884
		in	74.2
7	Reach with Fork at Maximum Height	mm	1005
		in	39.6
8	Ground to Top of Tine with Arms Horizontal and Fork Level	mm	1872
		in	73.7
9	Ground to Top of Tine at Maximum Height and Fork Level	mm	4024
		in	158.4
10	Overall Height of Fork at Full Lift (top of carriage to ground)	mm	5535
		in	217.9
11	Clearance at Full Lift and Max Dump	mm	2505
		in	98.6
12	Max Discharge Angle from Horizontal	deg	50
13	Overall Carriage Width	mm	2176
		in	85.7
14	Overall Carriage Height	mm	1601
		in	63.0
15	Outside Tine Width (max spread)	mm	2084
		in	82.0
16	Outside Tine Width (min spread)	mm	1002
		in	39.4
	Tine Width (single tine)	mm	180.0
		in	7.1
	Tine Thickness	mm	90.0
		in	3.5
	Tine Capacity	kg	15906
		lbs	35057
	Operating Weight	kg	20761
		lbs	45756

*Negative values indicate below grade

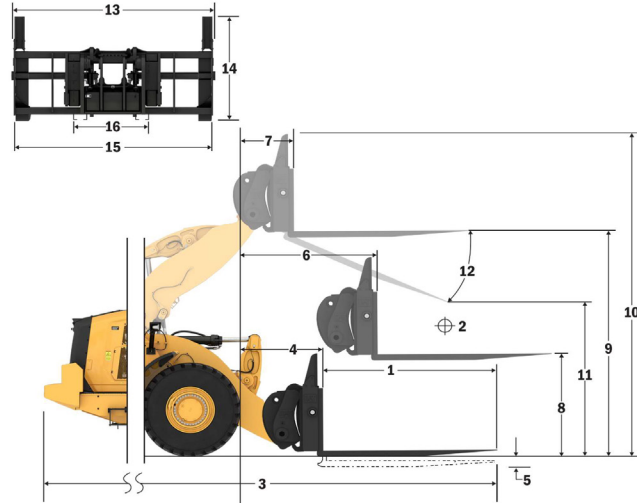
962 LOG

Log & Lumber Fork, No TC, FUSION

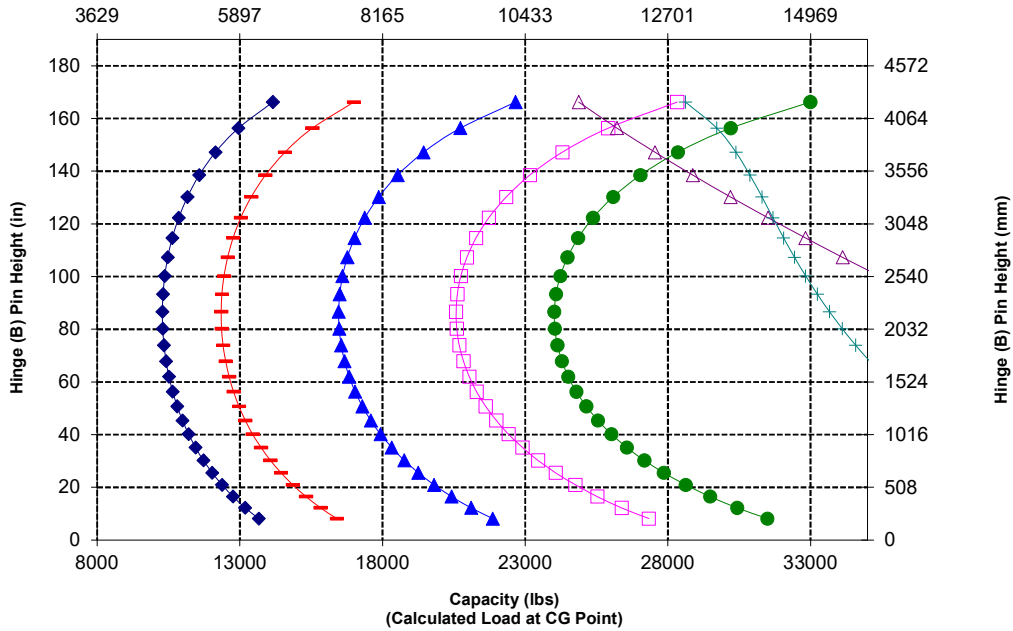
60" Tine

435-4634

*Build 14A
*Parallel Z-Bar Linkage
*Logging Configuration



Capacity (kg)
(Calculated Load at CG Point)



NOTE: Static tipping loads and operating weight are based on the following loader configuration: Bridgestone VJT L3 Tires, Air Conditioning, Ride Control, Powertrain Guard, Full Fluids, Fuel Tank, Coolant, Lubricants, and Operator.

Specifications and ratings conform to the following standards: SAE* J1197, ISO 14397-1, CEN** EN 474-3.

The rated operating load for a loader equipped with a pallet fork is determined by:
SAE J1197: 50% of full turn static tipping load or hydraulic limit.
CEN EN 474-3: 60% of full turn static tipping load on rough terrain or hydraulic limit.
CEN EN 474-3: 80% of full turn static tipping load on firm and level ground or hydraulic limit.

*SAE - Society of Automotive Engineers

**CEN - European Committee for Standardization



WARNING: Do not exceed tine load capacity. Individual tine capacity is stamped on the side of each tine.

Fork Specifications

Fork Specifications

1	Tine Length	mm	1524
		in	60.0
2	Load Center	mm	762
		in	30.0
	Static Tipping Load - Straight (Forks Level)	kg	10735
		lbs	23659
	Static Tipping Load - Articulated (Forks Level)	kg	9194
		lbs	20263
	Rated Load (SAE J1197 - 50% FTSTL)	kg	4597
		lbs	10132
	Rated Load (CEN EN 474-3 Rough Terrain - 60% FTSTL)	kg	5516
		lbs	12158
	Rated Load (CEN EN 474-3 Firm and Level Ground - 80% FTSTL)	kg	7355
		lbs	16211
3	Maximum Overall Length	mm	9309
		in	366.5
4	Reach with Forks at Ground Level	mm	1391
		in	54.8
5	*Ground to Bottom of Tine at Minimum Height and Fork Level	mm	-72
		in	-2.8
6	Reach with Arms Horizontal and Forks Level	mm	1924
		in	75.7
7	Reach with Fork at Maximum Height	mm	1045
		in	41.2
8	Ground to Top of Tine with Arms Horizontal and Fork Level	mm	1857
		in	73.1
9	Ground to Top of Tine at Maximum Height and Fork Level	mm	4009
		in	157.8
10	Overall Height of Fork at Full Lift (top of carriage to ground)	mm	5523
		in	217.5
11	Clearance at Full Lift and Max Dump	mm	2611
		in	102.8
12	Max Discharge Angle from Horizontal	deg	44
13	Overall Carriage Width	mm	2537
		in	99.9
14	Overall Carriage Height	mm	1578
		in	62.1
15	Outside Tine Width (max spread)	mm	2339
		in	92.1
16	Outside Tine Width (min spread)	mm	742
		in	29.2
	Tine Width (single tine)	mm	203.2
		in	8.0
	Tine Thickness	mm	63.5
		in	2.5
	Tine Capacity	kg	7170
		lbs	15803
	Operating Weight	kg	20780
		lbs	45798

*Negative values indicate below grade

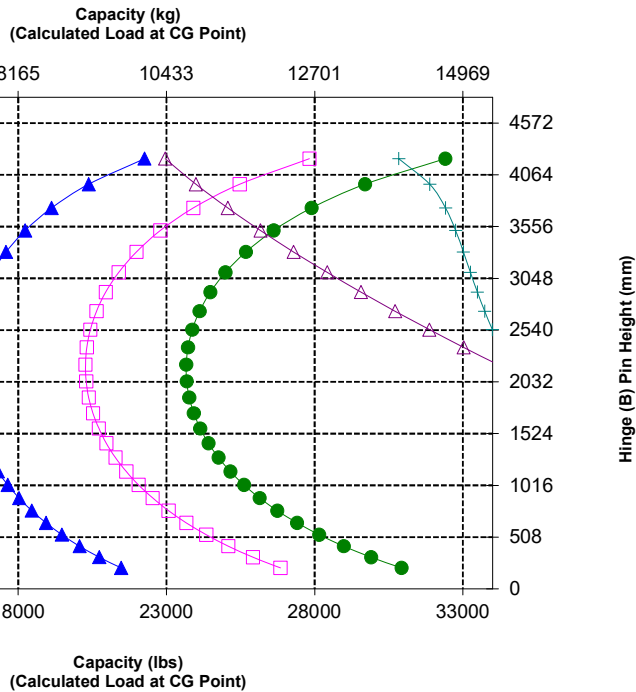
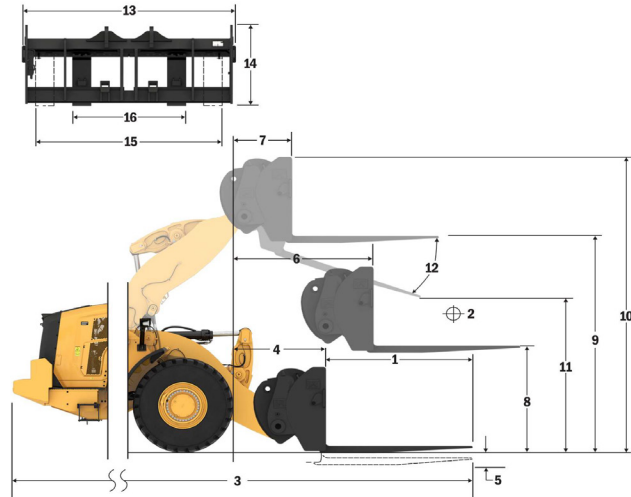
962 LOG

Log & Lumber Fork, Top Clamp, FUSION

60" Tine

416-4599

*Build 14A
*Parallel Z-Bar Linkage
*Logging Configuration



NOTE: Static tipping loads and operating weight are based on the following loader configuration: Bridgestone VJT L3 Tires, Air Conditioning, Ride Control, Powertrain Guard, Full Fluids, Fuel Tank, Coolant, Lubricants, and Operator.

Specifications and ratings conform to the following standards: SAE* J1197, ISO 14397-1, CEN** EN 474-3.

The rated operating load for a loader equipped with a pallet fork is determined by:
SAE J1197: 50% of full turn static tipping load or hydraulic limit.
CEN EN 474-3: 60% of full turn static tipping load on rough terrain or hydraulic limit.
CEN EN 474-3: 80% of full turn static tipping load on firm and level ground or hydraulic limit.

*SAE - Society of Automotive Engineers

**CEN - European Committee for Standardization



WARNING: Do not exceed tine load capacity. Individual tine capacity is stamped on the side of each tine.

962 Forestry Machine Specifications

Fork Specifications

Fork Specifications

1	Tine Length	mm	1829
		in	72.0
2	Load Center	mm	915
		in	36.0
	Static Tipping Load - Straight (Forks Level)	kg	10380
		lbs	22877
	Static Tipping Load - Articulated (Forks Level)	kg	8881
		lbs	19574
	Rated Load (SAE J1197 - 50% FTSTL)	kg	4441
		lbs	9787
	Rated Load (CEN EN 474-3 Rough Terrain - 60% FTSTL)	kg	5329
		lbs	11745
	Rated Load (CEN EN 474-3 Firm and Level Ground - 80% FTSTL)	kg	7105
		lbs	15659
3	Maximum Overall Length	mm	9599
		in	377.9
4	Reach with Forks at Ground Level	mm	1376
		in	54.2
5	*Ground to Bottom of Tine at Minimum Height and Fork Level	mm	-83
		in	-3.3
6	Reach with Arms Horizontal and Forks Level	mm	1884
		in	74.2
7	Reach with Fork at Maximum Height	mm	1005
		in	39.6
8	Ground to Top of Tine with Arms Horizontal and Fork Level	mm	1872
		in	73.7
9	Ground to Top of Tine at Maximum Height and Fork Level	mm	4024
		in	158.4
10	Overall Height of Fork at Full Lift (top of carriage to ground)	mm	5537
		in	218.0
11	Clearance at Full Lift and Max Dump	mm	2272
		in	89.5
12	Max Discharge Angle from Horizontal	deg	50
13	Overall Carriage Width	mm	2470
		in	97.3
14	Overall Carriage Height	mm	1603
		in	63.1
15	Outside Tine Width (max spread)	mm	2366
		in	93.1
16	Outside Tine Width (min spread)	mm	1002
		in	39.4
	Tine Width (single tine)	mm	180.0
		in	7.1
	Tine Thickness	mm	90.0
		in	3.5
	Tine Capacity	kg	12600
		lbs	27770
	Operating Weight	kg	20843
		lbs	45937

*Negative values indicate below grade

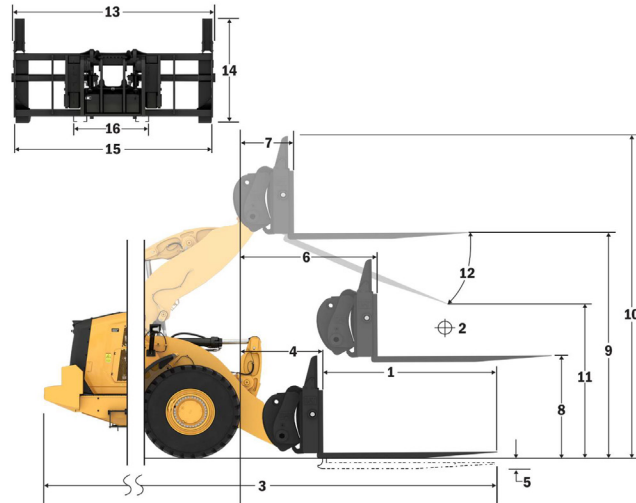
962 LOG

Log & Lumber Fork, No TC, FUSION

72" Tine

379-2199

*Build 14A
*Parallel Z-Bar Linkage
*Logging Configuration



- ◆ Payload (SAE J1197)
- ◆ Payload (CEN EN 474-3 - Rough Terrain)
- ◆ Payload (CEN EN 474-3 - Firm & Level)
- ◆ Static Tipping Load - Articulated
- ◆ Static Tipping Load - Straight
- ◆ Hydraulic Tilt Capacity
- ◆ Hydraulic Lift Capacity

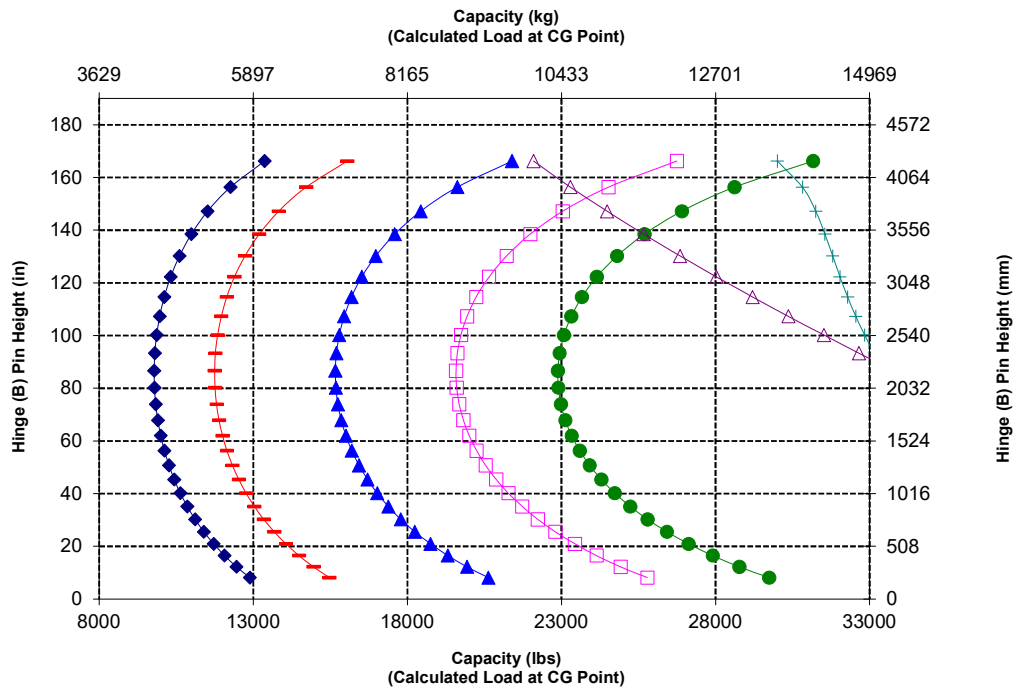
NOTE: Static tipping loads and operating weight are based on the following loader configuration: Bridgestone VJT L3 Tires, Air Conditioning, Ride Control, Powertrain Guard, Full Fluids, Fuel Tank, Coolant, Lubricants, and Operator.

Specifications and ratings conform to the following standards: SAE* J1197, ISO 14397-1, CEN** EN 474-3.

The rated operating load for a loader equipped with a pallet fork is determined by:
SAE J1197: 50% of full turn static tipping load or hydraulic limit.
CEN EN 474-3: 60% of full turn static tipping load on rough terrain or hydraulic limit.
CEN EN 474-3: 80% of full turn static tipping load on firm and level ground or hydraulic limit.

*SAE - Society of Automotive Engineers

**CEN - European Committee for Standardization



WARNING: Do not exceed tine load capacity. Individual tine capacity is stamped on the side of each tine.

Fork Specifications

Fork Specifications

1	Tine Length	mm	1829
		in	72.0
2	Load Center	mm	915
		in	36.0
	Static Tipping Load - Straight (Forks Level)	kg	10983
		lbs	24207
	Static Tipping Load - Articulated (Forks Level)	kg	9448
		lbs	20824
	Rated Load (SAE J1197 - 50% FTSTL)	kg	4724
		lbs	10412
	Rated Load (CEN EN 474-3 Rough Terrain - 60% FTSTL)	kg	5669
		lbs	12494
	Rated Load (CEN EN 474-3 Firm and Level Ground - 80% FTSTL)	kg	7558
		lbs	16659
3	Maximum Overall Length	mm	9506
		in	374.2
4	Reach with Forks at Ground Level	mm	1283
		in	50.5
5	*Ground to Bottom of Tine at Minimum Height and Fork Level	mm	-84
		in	-3.3
6	Reach with Arms Horizontal and Forks Level	mm	1789
		in	70.5
7	Reach with Fork at Maximum Height	mm	911
		in	35.9
8	Ground to Top of Tine with Arms Horizontal and Fork Level	mm	1871
		in	73.6
9	Ground to Top of Tine at Maximum Height and Fork Level	mm	4022
		in	158.4
10	Overall Height of Fork at Full Lift (top of carriage to ground)	mm	5533
		in	217.8
11	Clearance at Full Lift and Max Dump	mm	2434
		in	95.8
12	Max Discharge Angle from Horizontal	deg	46
13	Overall Carriage Width	mm	2470
		in	97.3
14	Overall Carriage Height	mm	1601
		in	63.0
15	Outside Tine Width (max spread)	mm	2366
		in	93.1
16	Outside Tine Width (min spread)	mm	1002
		in	39.4
	Tine Width (single tine)	mm	180.0
		in	7.1
	Tine Thickness	mm	90.0
		in	3.5
	Tine Capacity	kg	12600
		lbs	27770
	Operating Weight	kg	20340
		lbs	44829

*Negative values indicate below grade

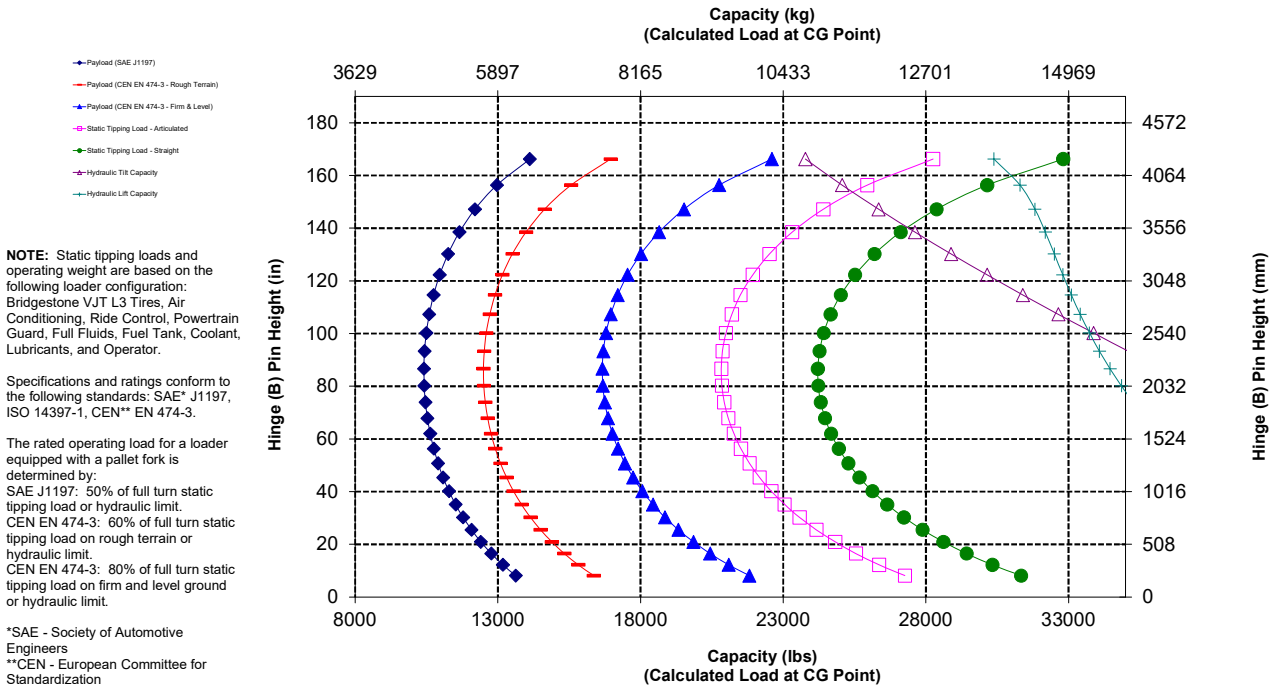
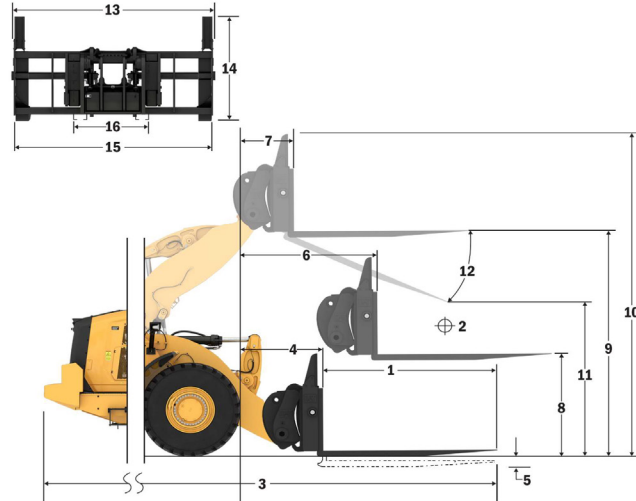
962 LOG

Log & Lumber Fork, No TC, Pin-On

72" Tine

379-2344

*Build 14A
*Parallel Z-Bar Linkage
*Logging Configuration



WARNING: Do not exceed tine load capacity. Individual tine capacity is stamped on the side of each tine.

962 Forestry Machine Specifications

Fork Specifications

Fork Specifications

1	Tine Length	mm	1829
		in	72.0
2	Load Center	mm	915
		in	36.0
	Static Tipping Load - Straight (Forks Level)	kg	10374
		lbs	22865
	Static Tipping Load - Articulated (Forks Level)	kg	8878
		lbs	19568
	Rated Load (SAE J1197 - 50% FTSTL)	kg	4439
		lbs	9784
	Rated Load (CEN EN 474-3 Rough Terrain - 60% FTSTL)	kg	5327
		lbs	11741
	Rated Load (CEN EN 474-3 Firm and Level Ground - 80% FTSTL)	kg	7103
		lbs	15654
3	Maximum Overall Length	mm	9599
		in	377.9
4	Reach with Forks at Ground Level	mm	1376
		in	54.2
5	*Ground to Bottom of Tine at Minimum Height and Fork Level	mm	-83
		in	-3.3
6	Reach with Arms Horizontal and Forks Level	mm	1884
		in	74.2
7	Reach with Fork at Maximum Height	mm	1005
		in	39.6
8	Ground to Top of Tine with Arms Horizontal and Fork Level	mm	1872
		in	73.7
9	Ground to Top of Tine at Maximum Height and Fork Level	mm	4024
		in	158.4
10	Overall Height of Fork at Full Lift (top of carriage to ground)	mm	5535
		in	217.9
11	Clearance at Full Lift and Max Dump	mm	2272
		in	89.5
12	Max Discharge Angle from Horizontal	deg	50
13	Overall Carriage Width	mm	2176
		in	85.7
14	Overall Carriage Height	mm	1601
		in	63.0
15	Outside Tine Width (max spread)	mm	2084
		in	82.0
16	Outside Tine Width (min spread)	mm	1002
		in	39.4
	Tine Width (single tine)	mm	180.0
		in	7.1
	Tine Thickness	mm	90.0
		in	3.5
	Tine Capacity	kg	12600
		lbs	27770
	Operating Weight	kg	20823
		lbs	45893

*Negative values indicate below grade

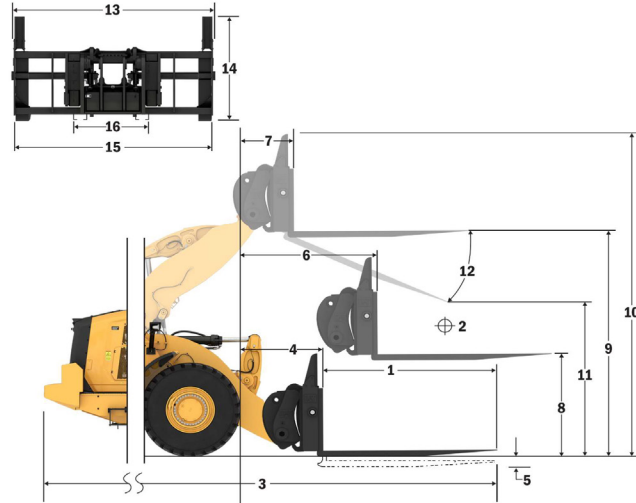
962 LOG

Log & Lumber Fork, No TC, FUSION

72" Tine

435-4684

*Build 14A
*Parallel Z-Bar Linkage
*Logging Configuration



- ◆ Payload (SAE J1197)
- ◆ Payload (CEN EN 474-3 - Rough Terrain)
- ◆ Payload (CEN EN 474-3 - Firm & Level)
- ◆ Static Tipping Load - Articulated
- ◆ Static Tipping Load - Straight
- ◆ Hydraulic Tilt Capacity
- ◆ Hydraulic Lift Capacity

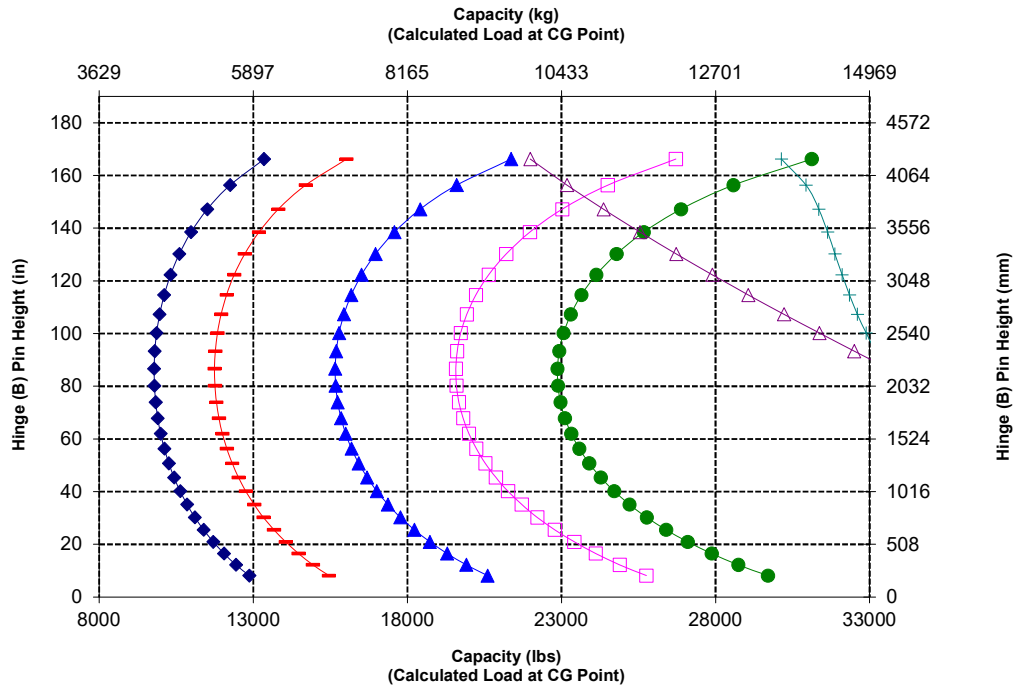
NOTE: Static tipping loads and operating weight are based on the following loader configuration: Bridgestone VJT L3 Tires, Air Conditioning, Ride Control, Powertrain Guard, Full Fluids, Fuel Tank, Coolant, Lubricants, and Operator.

Specifications and ratings conform to the following standards: SAE* J1197, ISO 14397-1, CEN** EN 474-3.

The rated operating load for a loader equipped with a pallet fork is determined by:
SAE J1197: 50% of full turn static tipping load or hydraulic limit.
CEN EN 474-3: 60% of full turn static tipping load on rough terrain or hydraulic limit.
CEN EN 474-3: 80% of full turn static tipping load on firm and level ground or hydraulic limit.

*SAE - Society of Automotive Engineers

**CEN - European Committee for Standardization



WARNING: Do not exceed tine load capacity. Individual tine capacity is stamped on the side of each tine.

Fork Specifications

Fork Specifications

1	Tine Length	mm	2438
		in	96.0
2	Load Center	mm	1219
		in	48.0
	Static Tipping Load - Straight (Forks Level)	kg	9440
		lbs	20806
	Static Tipping Load - Articulated (Forks Level)	kg	8058
		lbs	17759
	Rated Load (SAE J1197 - 50% FTSTL)	kg	4029
		lbs	8880
	Rated Load (CEN EN 474-3 Rough Terrain - 60% FTSTL)	kg	4835
		lbs	10656
	Rated Load (CEN EN 474-3 Firm and Level Ground - 80% FTSTL)	kg	6446
		lbs	14208
3	Maximum Overall Length	mm	10208
		in	401.9
4	Reach with Forks at Ground Level	mm	1376
		in	54.2
5	*Ground to Bottom of Tine at Minimum Height and Fork Level	mm	-83
		in	-3.3
6	Reach with Arms Horizontal and Forks Level	mm	1884
		in	74.2
7	Reach with Fork at Maximum Height	mm	1005
		in	39.6
8	Ground to Top of Tine with Arms Horizontal and Fork Level	mm	1872
		in	73.7
9	Ground to Top of Tine at Maximum Height and Fork Level	mm	4024
		in	158.4
10	Overall Height of Fork at Full Lift (top of carriage to ground)	mm	5537
		in	218.0
11	Clearance at Full Lift and Max Dump	mm	1806
		in	71.1
12	Max Discharge Angle from Horizontal	deg	50
13	Overall Carriage Width	mm	2470
		in	97.3
14	Overall Carriage Height	mm	1603
		in	63.1
15	Outside Tine Width (max spread)	mm	2366
		in	93.1
16	Outside Tine Width (min spread)	mm	1002
		in	39.4
	Tine Width (single tine)	mm	180.0
		in	7.1
	Tine Thickness	mm	90.0
		in	3.5
	Tine Capacity	kg	10100
		lbs	22260
	Operating Weight	kg	20971
		lbs	46219

*Negative values indicate below grade

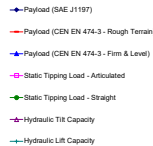
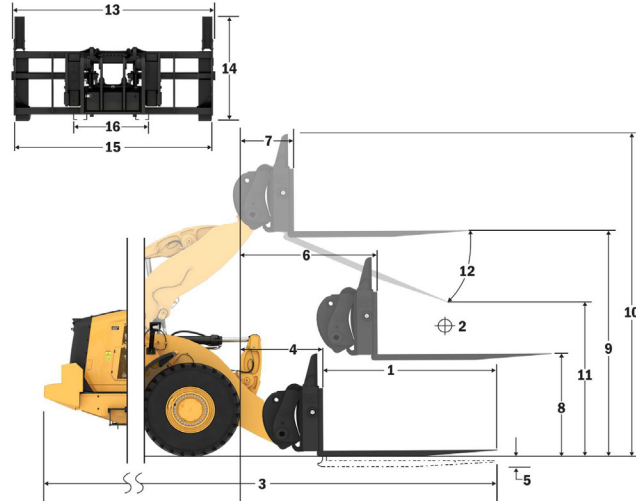
962 LOG

Log & Lumber Fork, No TC, FUSION

96" Tine

379-2321

*Build 14A
*Parallel Z-Bar Linkage
*Logging Configuration



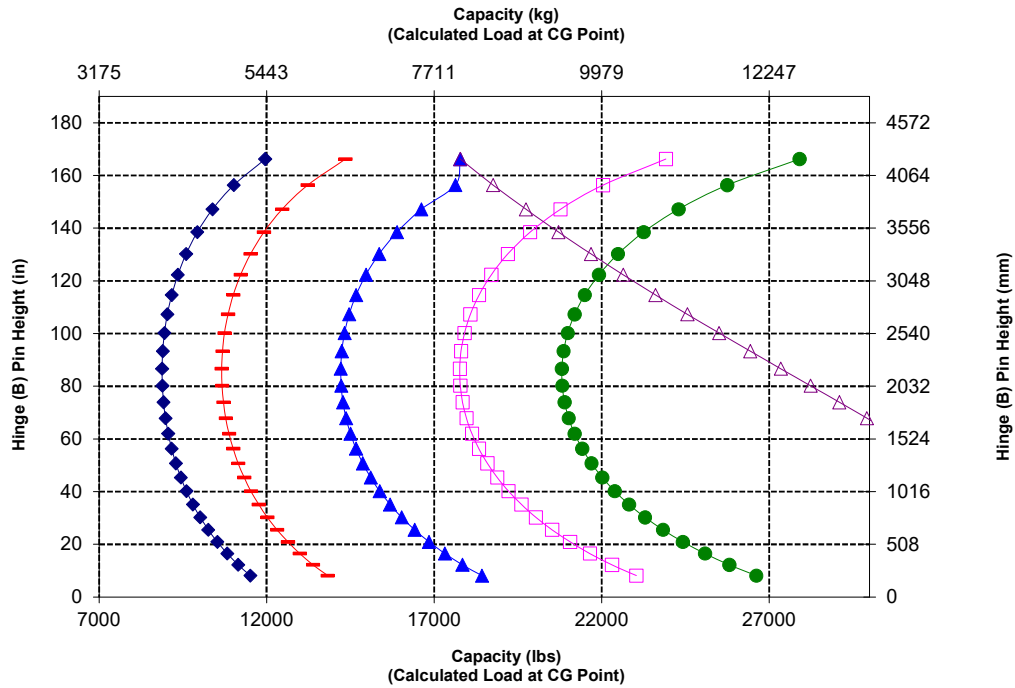
NOTE: Static tipping loads and operating weight are based on the following loader configuration: Bridgestone VJT L3 Tires, Air Conditioning, Ride Control, Powertrain Guard, Full Fluids, Fuel Tank, Coolant, Lubricants, and Operator.

Specifications and ratings conform to the following standards: SAE* J1197, ISO 14397-1, CEN** EN 474-3.

The rated operating load for a loader equipped with a pallet fork is determined by:
SAE J1197: 50% of full turn static tipping load or hydraulic limit.
CEN EN 474-3: 60% of full turn static tipping load on rough terrain or hydraulic limit.
CEN EN 474-3: 80% of full turn static tipping load on firm and level ground or hydraulic limit.

*SAE - Society of Automotive Engineers

**CEN - European Committee for Standardization



WARNING: Do not exceed tine load capacity. Individual tine capacity is stamped on the side of each tine.

962 Forestry Machine Specifications

Fork Specifications

Fork Specifications

1	Tine Length	mm	2438
		in	96.0
2	Load Center	mm	1219
		in	48.0
	Static Tipping Load - Straight (Forks Level)	kg	9978
		lbs	21992
	Static Tipping Load - Articulated (Forks Level)	kg	8565
		lbs	18877
	Rated Load (SAE J1197 - 50% FTSTL)	kg	4282
		lbs	9438
	Rated Load (CEN EN 474-3 Rough Terrain - 60% FTSTL)	kg	5139
		lbs	11326
	Rated Load (CEN EN 474-3 Firm and Level Ground - 80% FTSTL)	kg	6852
		lbs	15101
3	Maximum Overall Length	mm	10116
		in	398.2
4	Reach with Forks at Ground Level	mm	1284
		in	50.5
5	*Ground to Bottom of Tine at Minimum Height and Fork Level	mm	-84
		in	-3.3
6	Reach with Arms Horizontal and Forks Level	mm	1790
		in	70.5
7	Reach with Fork at Maximum Height	mm	911
		in	35.9
8	Ground to Top of Tine with Arms Horizontal and Fork Level	mm	1871
		in	73.6
9	Ground to Top of Tine at Maximum Height and Fork Level	mm	4022
		in	158.4
10	Overall Height of Fork at Full Lift (top of carriage to ground)	mm	5533
		in	217.8
11	Clearance at Full Lift and Max Dump	mm	1997
		in	78.6
12	Max Discharge Angle from Horizontal	deg	46
13	Overall Carriage Width	mm	2470
		in	97.3
14	Overall Carriage Height	mm	1601
		in	63.0
15	Outside Tine Width (max spread)	mm	2366
		in	93.1
16	Outside Tine Width (min spread)	mm	1002
		in	39.4
	Tine Width (single tine)	mm	180.0
		in	7.1
	Tine Thickness	mm	90.0
		in	3.5
	Tine Capacity	kg	10100
		lbs	22260
	Operating Weight	kg	20468
		lbs	45111

*Negative values indicate below grade

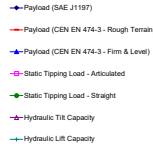
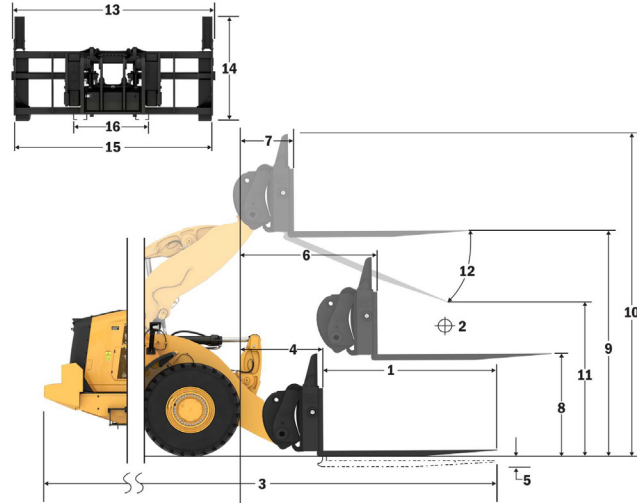
962 LOG

Log & Lumber Fork, No TC, Pin-On

96" Tine

379-2346

*Build 14A
*Parallel Z-Bar Linkage
*Logging Configuration



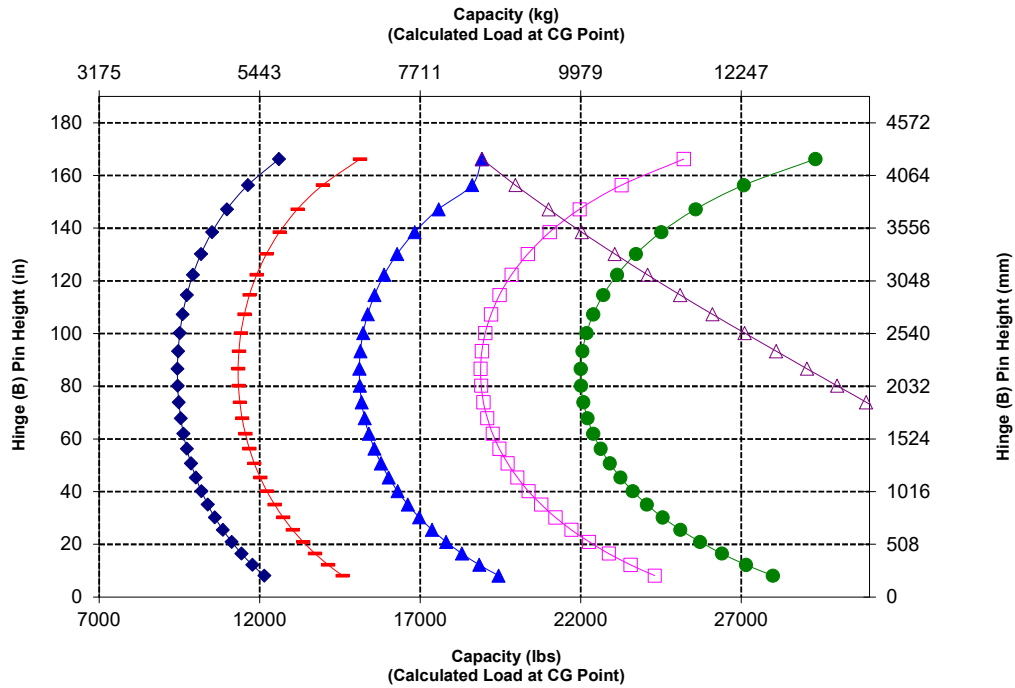
NOTE: Static tipping loads and operating weight are based on the following loader configuration: Bridgestone VJT L3 Tires, Air Conditioning, Ride Control, Powertrain Guard, Full Fluids, Fuel Tank, Coolant, Lubricants, and Operator.

Specifications and ratings conform to the following standards: SAE* J1197, ISO 14397-1, CEN** EN 474-3.

The rated operating load for a loader equipped with a pallet fork is determined by:
SAE J1197: 50% of full turn static tipping load or hydraulic limit.
CEN EN 474-3: 60% of full turn static tipping load on rough terrain or hydraulic limit.
CEN EN 474-3: 80% of full turn static tipping load on firm and level ground or hydraulic limit.

*SAE - Society of Automotive Engineers

**CEN - European Committee for Standardization



WARNING: Do not exceed tine load capacity. Individual tine capacity is stamped on the side of each tine.

Fork Specifications

Fork Specifications

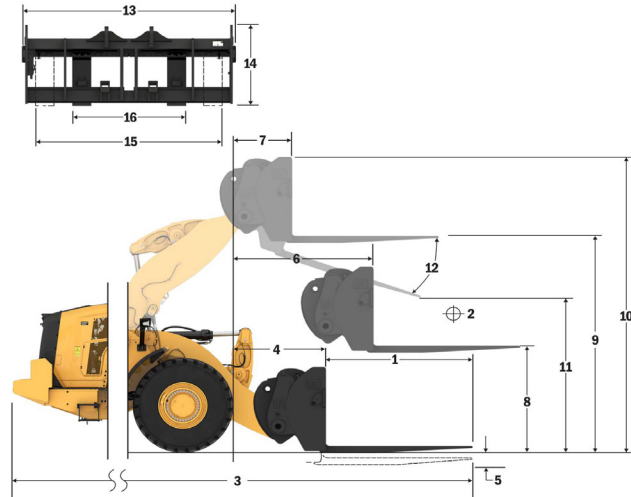
1	Tine Length	mm	2438
		in	96.0
2	Load Center	mm	1219
		in	48.0
	Static Tipping Load - Straight (Forks Level)	kg	9436
		lbs	20797
	Static Tipping Load - Articulated (Forks Level)	kg	8056
		lbs	17756
	Rated Load (SAE J1197 - 50% FTSTL)	kg	4028
		lbs	8878
	Rated Load (CEN EN 474-3 Rough Terrain - 60% FTSTL)	kg	4834
		lbs	10653
	Rated Load (CEN EN 474-3 Firm and Level Ground - 80% FTSTL)	kg	6445
		lbs	14205
3	Maximum Overall Length	mm	10208
		in	401.9
4	Reach with Forks at Ground Level	mm	1376
		in	54.2
5	*Ground to Bottom of Tine at Minimum Height and Fork Level	mm	-83
		in	-3.3
6	Reach with Arms Horizontal and Forks Level	mm	1884
		in	74.2
7	Reach with Fork at Maximum Height	mm	1005
		in	39.6
8	Ground to Top of Tine with Arms Horizontal and Fork Level	mm	1872
		in	73.7
9	Ground to Top of Tine at Maximum Height and Fork Level	mm	4024
		in	158.4
10	Overall Height of Fork at Full Lift (top of carriage to ground)	mm	5535
		in	217.9
11	Clearance at Full Lift and Max Dump	mm	1806
		in	71.1
12	Max Discharge Angle from Horizontal	deg	50
13	Overall Carriage Width	mm	2176
		in	85.7
14	Overall Carriage Height	mm	1601
		in	63.0
15	Outside Tine Width (max spread)	mm	2084
		in	82.0
16	Outside Tine Width (min spread)	mm	1002
		in	39.4
	Tine Width (single tine)	mm	180.0
		in	7.1
	Tine Thickness	mm	90.0
		in	3.5
	Tine Capacity	kg	10100
		lbs	22260
	Operating Weight	kg	20951
		lbs	46175

*Negative values indicate below grade

962 LOG Log & Lumber Fork, FUSION

96" Tine
435-4686

*Build 14A
*Parallel Z-Bar Linkage
*Logging Configuration



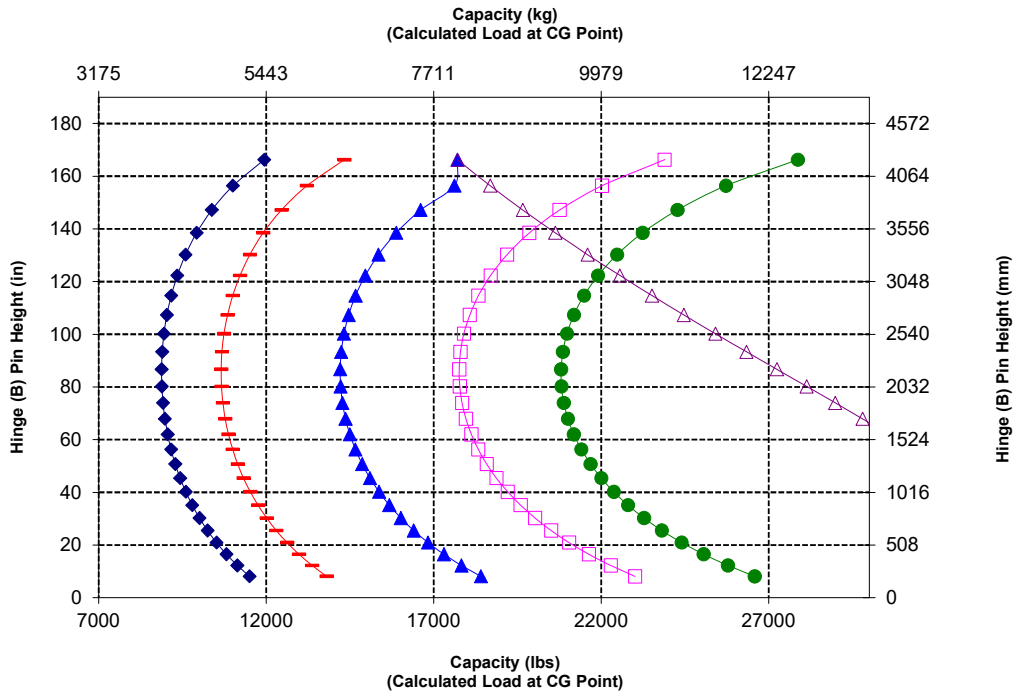
◆ Payload (SAE J1197)
 ◆ Payload (CEN EN 474-3 - Rough Terrain)
 ◆ Payload (CEN EN 474-3 - Firm & Level)
 ◆ Static Tipping Load - Articulated
 ◆ Static Tipping Load - Straight
 ◆ Hydraulic Lift Capacity
 ◆ Hydraulic Lift Capacity

NOTE: Static tipping loads and operating weight are based on the following loader configuration: Bridgestone VJT L3 Tires, Air Conditioning, Ride Control, Powertrain Guard, Full Fluids, Fuel Tank, Coolant, Lubricants, and Operator.

Specifications and ratings conform to the following standards: SAE* J1197, ISO 14397-1, CEN** EN 474-3.

The rated operating load for a loader equipped with a pallet fork is determined by:
 SAE J1197: 50% of full turn static tipping load or hydraulic limit.
 CEN EN 474-3: 60% of full turn static tipping load on rough terrain or hydraulic limit.
 CEN EN 474-3: 80% of full turn static tipping load on firm and level ground or hydraulic limit.

*SAE - Society of Automotive Engineers
 **CEN - European Committee for Standardization



WARNING: Do not exceed tine load capacity. Individual tine capacity is stamped on the side of each tine.

962 Forestry Machine Specifications

Fork Specifications

Fork Specifications

1	Tine Length	mm	2438
		in	96.0
2	Load Center	mm	1219
		in	48.0
	Static Tipping Load - Straight (Forks Level)	kg	9333
		lbs	20570
	Static Tipping Load - Articulated (Forks Level)	kg	7962
		lbs	17549
	Rated Load (SAE J1197 - 50% FTSTL)	kg	3981
		lbs	8774
	Rated Load (CEN EN 474-3 Rough Terrain - 60% FTSTL)	kg	4777
		lbs	10529
	Rated Load (CEN EN 474-3 Firm and Level Ground - 80% FTSTL)	kg	6370
		lbs	14039
3	Maximum Overall Length	mm	10241
		in	403.2
4	Reach with Forks at Ground Level	mm	1408
		in	55.4
5	*Ground to Bottom of Tine at Minimum Height and Fork Level	mm	-91
		in	-3.6
6	Reach with Arms Horizontal and Forks Level	mm	1910
		in	75.2
7	Reach with Fork at Maximum Height	mm	1032
		in	40.6
8	Ground to Top of Tine with Arms Horizontal and Fork Level	mm	1864
		in	73.4
9	Ground to Top of Tine at Maximum Height and Fork Level	mm	4016
		in	158.1
10	Overall Height of Fork at Full Lift (top of carriage to ground)	mm	5450
		in	214.6
11	Clearance at Full Lift and Max Dump	mm	1975
		in	77.8
12	Max Discharge Angle from Horizontal	deg	44
13	Overall Carriage Width	mm	2812
		in	110.7
14	Overall Carriage Height	mm	1524
		in	60.0
15	Outside Tine Width (max spread)	mm	2697
		in	106.2
16	Outside Tine Width (min spread)	mm	1002
		in	39.4
	Tine Width (single tine)	mm	180.0
		in	7.1
	Tine Thickness	mm	90.0
		in	3.5
	Tine Capacity	kg	10100
		lbs	22260
	Operating Weight	kg	21002
		lbs	46288

*Negative values indicate below grade

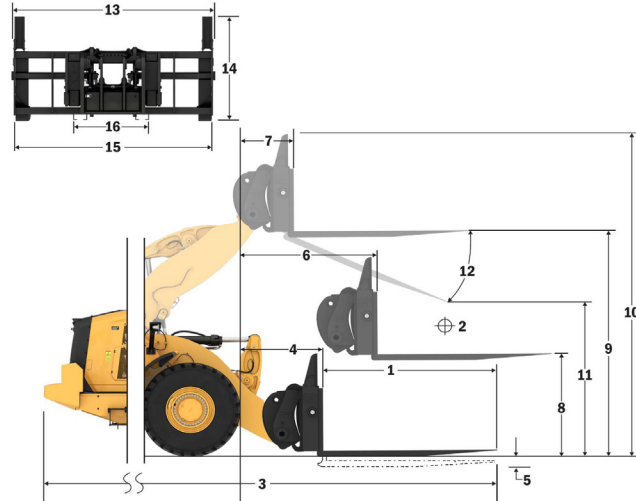
962 LOG

Log & Lumber Fork, No TC, FUSION

96" Tine

464-3422

*Build 14A
*Parallel Z-Bar Linkage
*Logging Configuration



- ◆ Payload (SAE J1197)
- ◆ Payload (CEN EN 474-3 - Rough Terrain)
- ◆ Payload (CEN EN 474-3 - Firm & Level)
- ◆ Static Tipping Load - Articulated
- ◆ Static Tipping Load - Straight
- ◆ Hydraulic Tilt Capacity
- ◆ Hydraulic Lift Capacity

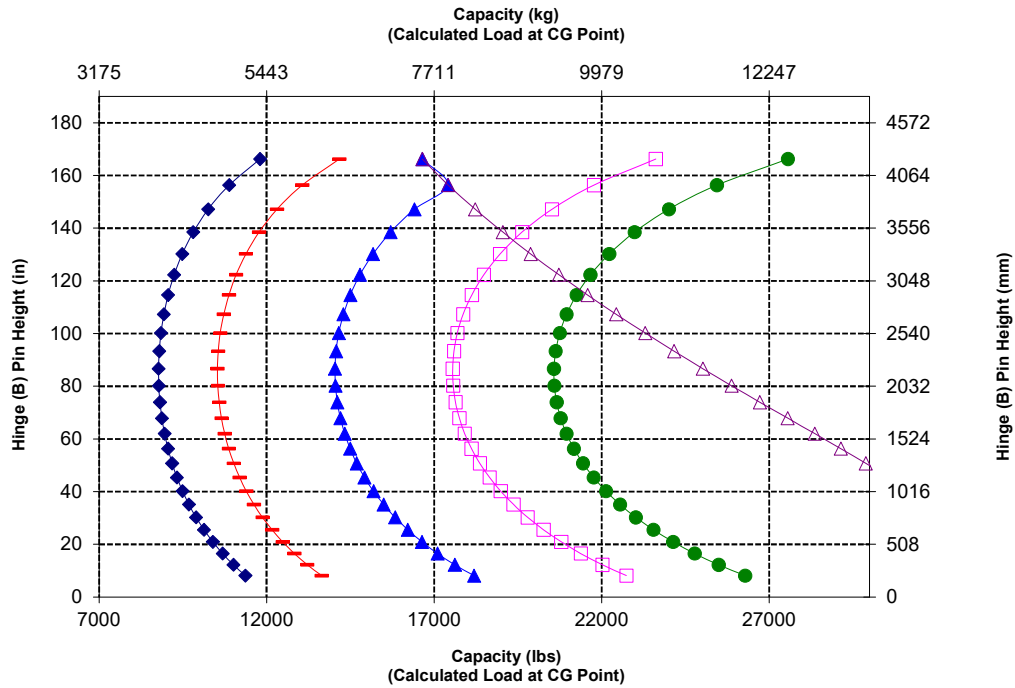
NOTE: Static tipping loads and operating weight are based on the following loader configuration: Bridgestone VJT L3 Tires, Air Conditioning, Ride Control, Powertrain Guard, Full Fluids, Fuel Tank, Coolant, Lubricants, and Operator.

Specifications and ratings conform to the following standards: SAE* J1197, ISO 14397-1, CEN** EN 474-3.

The rated operating load for a loader equipped with a pallet fork is determined by:
SAE J1197: 50% of full turn static tipping load or hydraulic limit.
CEN EN 474-3: 60% of full turn static tipping load on rough terrain or hydraulic limit.
CEN EN 474-3: 80% of full turn static tipping load on firm and level ground or hydraulic limit.

*SAE - Society of Automotive Engineers

**CEN - European Committee for Standardization



WARNING: Do not exceed tine load capacity. Individual tine capacity is stamped on the side of each tine.

Fork Specifications

Fork Specifications

1	Tine length	mm	1219
		in	48.0
2	Fork width	mm	1893
		in	74.5
	End area	m ²	1.45
		ft ²	16
3	Inside Height (only applies to double top clamp)	mm	0
		in	0
4	Min. opening (only applies to millyard forks)	mm	325
		in	13
	Operating Weight	kg	21514
		lbs	47429
5	Distance inside of tine tips	mm	1409
		in	55
	Static tipping load, articulated Fork level	kg	8921
		lbs	19666.6
	Static tipping load, straight Fork level	kg	10528
		lbs	23209.3
6	Max. height of fork (w/clamp open if applicable)	mm	2932
		in	115.4
7	Clearance w/full lift, 45 deg dump (if max. dump <= 45)	mm	2723
		in	107.2
8	Clearance @ full lift fork level	mm	3919
		in	154.3
9	Reach w/full lift, 45 deg dump (if max. dump <= 45)	mm	1597
		in	62.9
10	Reach w/lift arm horizontal and fork level	mm	3222
		in	126.9
11	*Ground to Bottom of Tool at Minimum Height and Tool Level	mm	-97
		in	-3.8
12	Width over tines	mm	1769
		in	69.6
13	Reach @ ground level	mm	2715
		in	107
14	Max. opening across tine and clamp	mm	2635
		in	103.7
15	Overall height of fork @ full lift and clamp open	mm	6851
		in	269.7
16	Overall length	mm	9109
	Tip of tine to rear of machine	in	358.6
17	Clearance @ full lift and max. dump Discharge (if <= 45)	mm	2538
		in	99.9
18	Clearance w/horizontal lift arms and fork level	mm	1767.6
		in	69.6
19	Reach @ full lift and fork level	mm	2343.7
		in	92.3
20	Max. discharge angle from horizontal	deg	57
		rad	1.0
	Tine Capacity	kg	14100
		lbs	31076

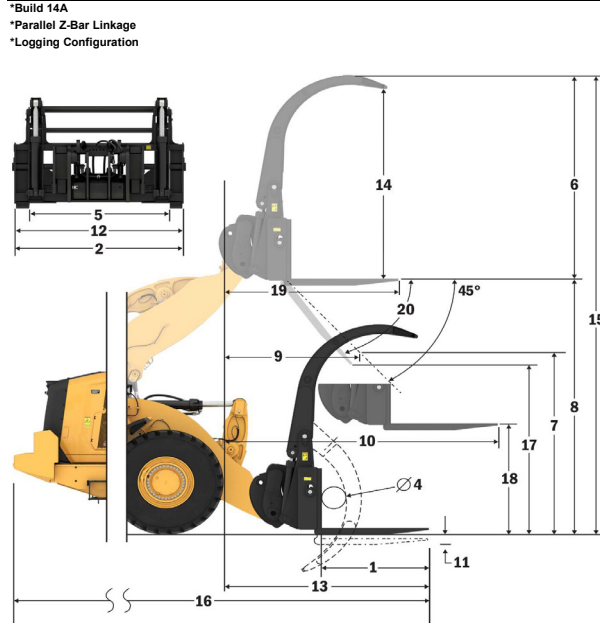
*Negative values indicate below grade

962 LOG

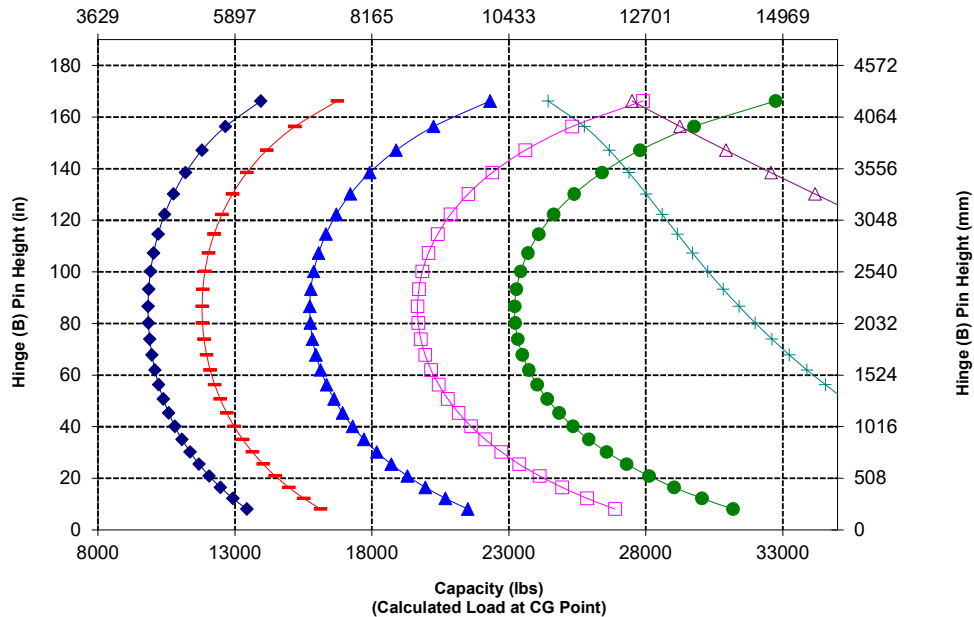
Log & Lumber Fork, Top Clamp, FUSION

48" Tine

380-8227



Capacity (kg)
(Calculated Load at CG Point)



WARNING: Do not exceed tine load capacity. Individual tine capacity is stamped on the side of each tine.

962 Forestry Machine Specifications

Fork Specifications

Fork Specifications

1	Tine length	mm	1219
		in	48.0
2	Fork width	mm	1923
		in	75.7
	End area	m ²	1.45
		ft ²	16
3	Inside Height (only applies to double top clamp)	mm	0
		in	0
4	Min. opening (only applies to millyard forks)	mm	325
		in	13
	Operating Weight	kg	20997
		lbs	46289
5	Distance inside of tine tips	mm	1409
		in	55
	Static tipping load, articulated Fork level	kg	9670
		lbs	21319.5
	Static tipping load, straight Fork level	kg	11339
		lbs	24998.3
6	Max. height of fork (w/clamp open if applicable)	mm	2932
		in	115.4
7	Clearance w/full lift, 45 deg dump (if max. dump <= 45)	mm	2806
		in	110.5
8	Clearance @ full lift fork level	mm	3920
		in	154.3
9	Reach w/full lift, 45 deg dump (if max. dump <= 45)	mm	1514
		in	59.6
10	Reach w/lift arm horizontal and fork level	mm	3105
		in	122.2
11	*Ground to Bottom of Tool at Minimum Height and Tool Level	mm	-97
		in	-3.8
12	Width over tines	mm	1769
		in	69.6
13	Reach @ ground level	mm	2597
		in	102
14	Max. opening across tine and clamp	mm	2635
		in	103.7
15	Overall height of fork @ full lift and clamp open	mm	6851
		in	269.7
16	Overall length	mm	8991
		in	354.0
17	Clearance @ full lift and max. dump Discharge (if <= 45)	mm	2793
		in	110.0
18	Clearance w/horizontal lift arms and fork level	mm	1767.7
		in	69.6
19	Reach @ full lift and fork level	mm	2226.2
		in	87.6
20	Max. discharge angle from horizontal	deg	46
		rad	0.8
	Tine Capacity	kg	14100
		lbs	31076

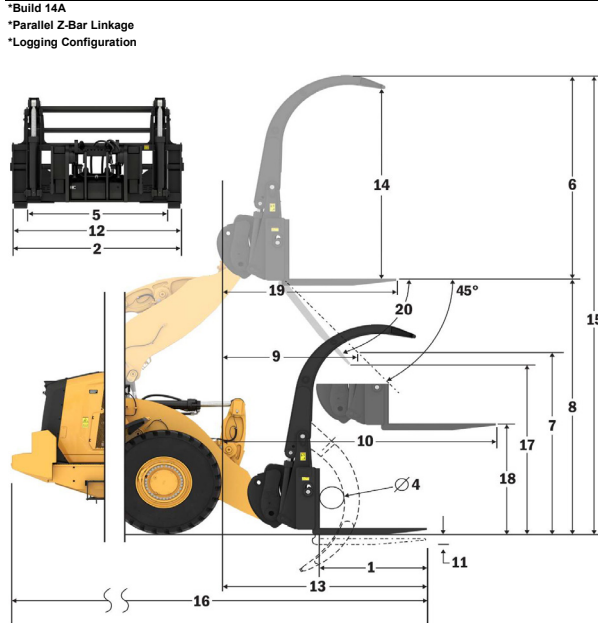
*Negative values indicate below grade

962 LOG

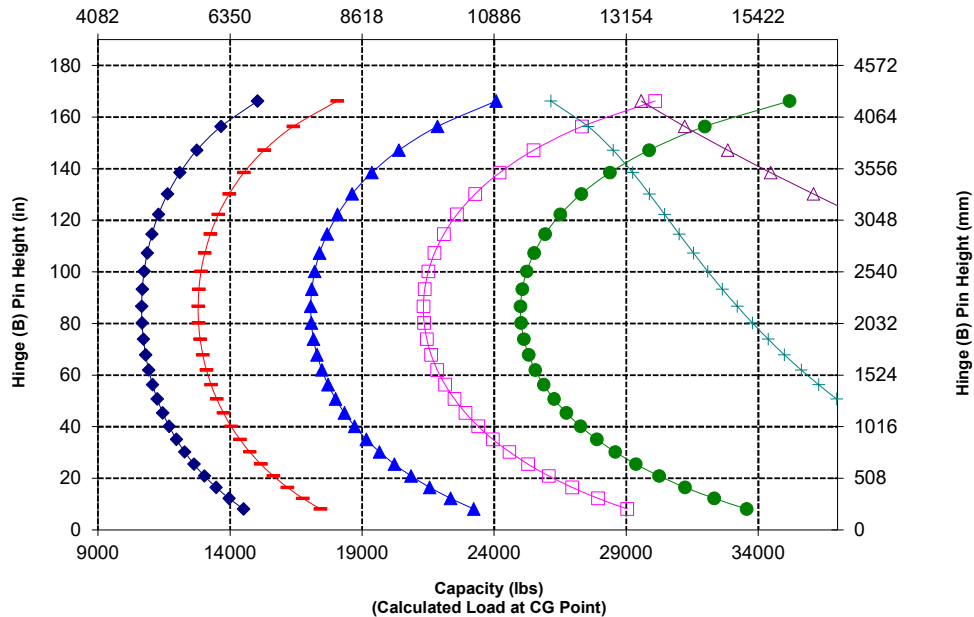
Log & Lumber Fork, Top Clamp, Pin-On

48" Tine

382-7885



Capacity (kg)
(Calculated Load at CG Point)



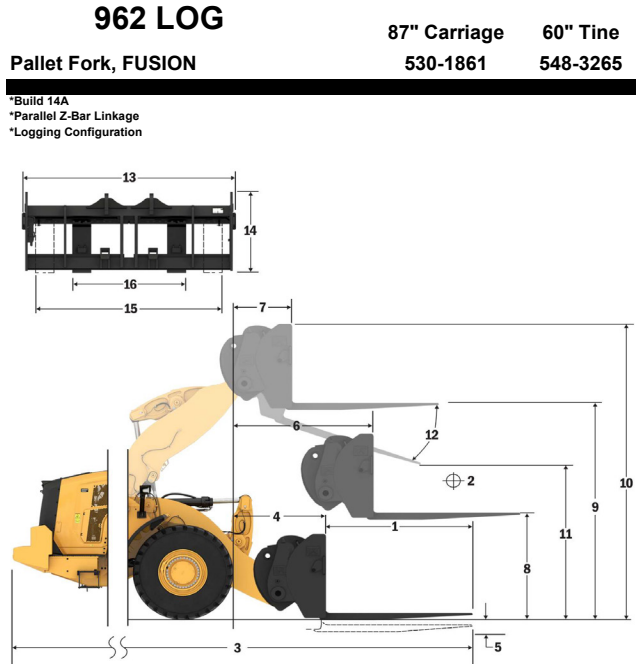
WARNING: Do not exceed tine load capacity. Individual tine capacity is stamped on the side of each tine.

Fork Specifications

Fork Specifications

1	Tine Length	mm	1524
		in	60.0
2	Load Center	mm	762
		in	30.0
	Static Tipping Load - Straight (Forks Level)	kg	11262
		lbs	24821
	Static Tipping Load - Articulated (Forks Level)	kg	9686
		lbs	21347
	Rated Load (SAE J1197 - 50% FTSTL)	kg	4843
		lbs	10673
	Rated Load (CEN EN 474-3 Rough Terrain - 60% FTSTL)	kg	5811
		lbs	12808
	Rated Load (CEN EN 474-3 Firm and Level Ground - 80% FTSTL)	kg	7748
		lbs	17078
3	Maximum Overall Length	mm	9294
		in	365.9
4	Reach with Forks at Ground Level	mm	1376
		in	54.2
5	*Ground to Bottom of Tine at Minimum Height and Fork Level	mm	-161
		in	-6.4
6	Reach with Arms Horizontal and Forks Level	mm	1849
		in	72.8
7	Reach with Fork at Maximum Height	mm	971
		in	38.2
8	Ground to Top of Tine with Arms Horizontal and Fork Level	mm	1769
		in	69.6
9	Ground to Top of Tine at Maximum Height and Fork Level	mm	3920
		in	154.3
10	Overall Height of Fork at Full Lift (top of carriage to ground)	mm	4695
		in	184.9
11	Clearance at Full Lift and Max Dump	mm	2556
		in	100.6
12	Max Discharge Angle from Horizontal	deg	46
13	Overall Carriage Width	mm	2217
		in	87.3
14	Overall Carriage Height	mm	840
		in	33.1
15	Outside Tine Width (max spread)	mm	2070
		in	81.5
16	Outside Tine Width (min spread)	mm	470
		in	18.5
	Tine Width (single tine)	mm	150.0
		in	5.9
	Tine Thickness	mm	65.0
		in	2.6
	Tine Capacity	kg	6300
		lbs	13885
	Operating Weight	kg	20456
		lbs	45084

*Negative values indicate below grade



962 LOG
Pallet Fork, FUSION

87" Carriage 60" Tine
530-1861 548-3265

*Build 14A
*Parallel Z-Bar Linkage
*Logging Configuration

- ◆ Payload (SAE J1197)
- ◆ Payload (CEN EN 474-3 - Rough Terrain)
- ◆ Payload (CEN EN 474-3 - Firm & Level)
- ◆ Static Tipping Load - Articulated
- ◆ Static Tipping Load - Straight
- ◆ Hydraulic Lift Capacity
- ◆ Hydraulic Lift Capacity

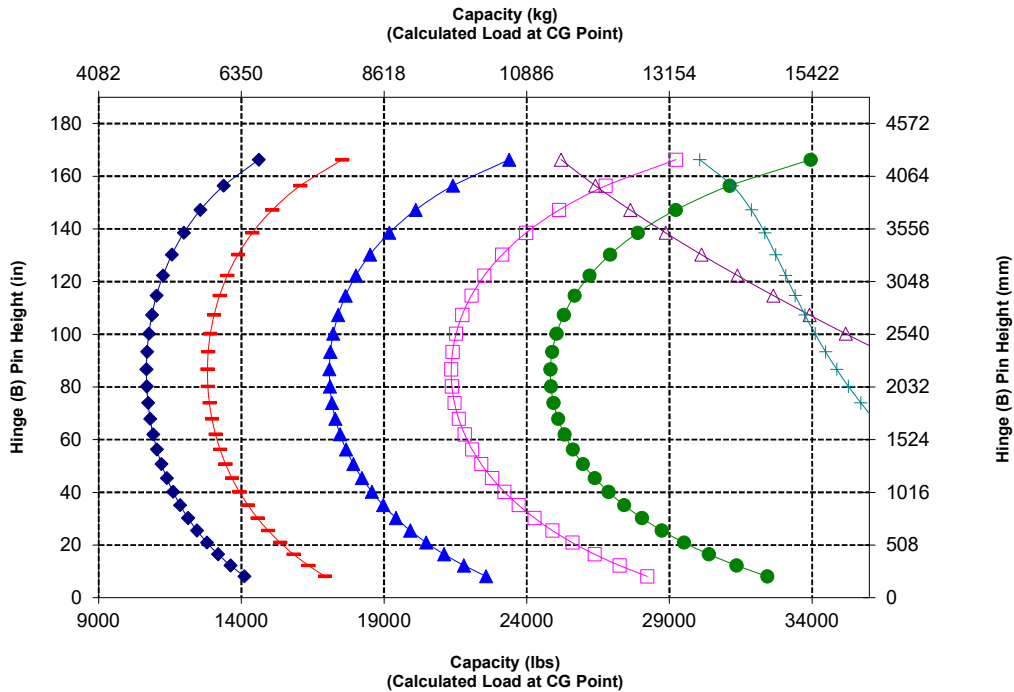
NOTE: Static tipping loads and operating weight are based on the following loader configuration: Bridgestone VJT L3 Tires, Air Conditioning, Ride Control, Powertrain Guard, Full Fluids, Fuel Tank, Coolant, Lubricants, and Operator.

Specifications and ratings conform to the following standards: SAE* J1197, ISO 14397-1, CEN** EN 474-3.

The rated operating load for a loader equipped with a pallet fork is determined by:
SAE J1197: 50% of full turn static tipping load or hydraulic limit.
CEN EN 474-3: 60% of full turn static tipping load on rough terrain or hydraulic limit.
CEN EN 474-3: 80% of full turn static tipping load on firm and level ground or hydraulic limit.

*SAE - Society of Automotive Engineers

**CEN - European Committee for Standardization



WARNING: Do not exceed tine load capacity. Individual tine capacity is stamped on the side of each tine.

962 Forestry Machine Specifications

Fork Specifications

Fork Specifications

1	Tine Length	mm	1830
		in	72.0
2	Load Center	mm	915
		in	36.0
	Static Tipping Load - Straight (Forks Level)	kg	10738
		lbs	23667
	Static Tipping Load - Articulated (Forks Level)	kg	9229
		lbs	20341
	Rated Load (SAE J1197 - 50% FTSTL)	kg	4614
		lbs	10170
	Rated Load (CEN EN 474-3 Rough Terrain - 60% FTSTL)	kg	5537
		lbs	12204
	Rated Load (CEN EN 474-3 Firm and Level Ground - 80% FTSTL)	kg	7383
		lbs	16272
3	Maximum Overall Length	mm	9600
		in	378.0
4	Reach with Forks at Ground Level	mm	1376
		in	54.2
5	*Ground to Bottom of Tine at Minimum Height and Fork Level	mm	-161
		in	-6.4
6	Reach with Arms Horizontal and Forks Level	mm	1849
		in	72.8
7	Reach with Fork at Maximum Height	mm	971
		in	38.2
8	Ground to Top of Tine with Arms Horizontal and Fork Level	mm	1769
		in	69.6
9	Ground to Top of Tine at Maximum Height and Fork Level	mm	3920
		in	154.3
10	Overall Height of Fork at Full Lift (top of carriage to ground)	mm	4695
		in	184.9
11	Clearance at Full Lift and Max Dump	mm	2337
		in	92.0
12	Max Discharge Angle from Horizontal	deg	46
13	Overall Carriage Width	mm	2217
		in	87.3
14	Overall Carriage Height	mm	840
		in	33.1
15	Outside Tine Width (max spread)	mm	2070
		in	81.5
16	Outside Tine Width (min spread)	mm	470
		in	18.5
	Tine Width (single tine)	mm	150.0
		in	5.9
	Tine Thickness	mm	65.0
		in	2.6
	Tine Capacity	kg	5246
		lbs	11562
	Operating Weight	kg	20503
		lbs	45188

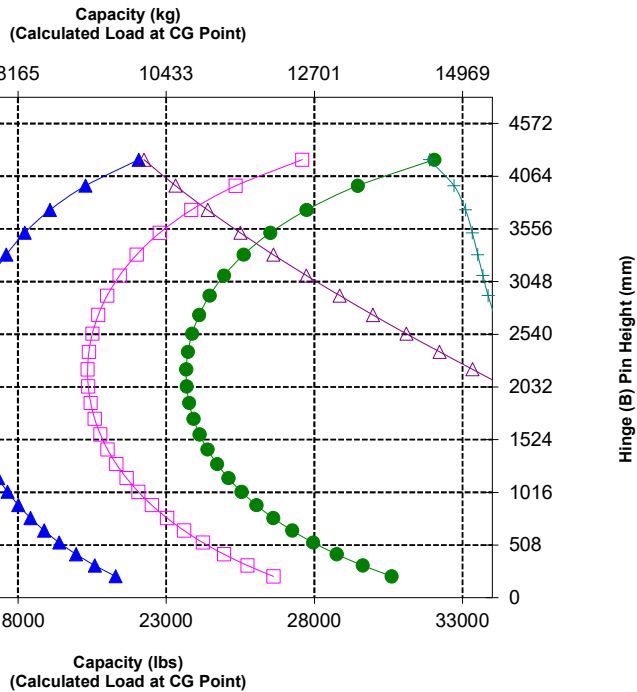
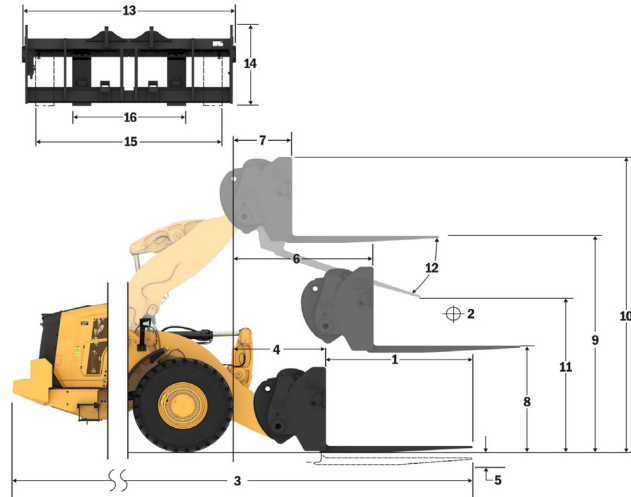
*Negative values indicate below grade

962 LOG Pallet Fork, FUSION

87" Carriage 72" Tine

530-1861 530-1869

*Build 14A
*Parallel Z-Bar Linkage
*Logging Configuration



NOTE: Static tipping loads and operating weight are based on the following loader configuration: Bridgestone VJT L3 Tires, Air Conditioning, Ride Control, Powertrain Guard, Full Fluids, Fuel Tank, Coolant, Lubricants, and Operator.

Specifications and ratings conform to the following standards: SAE* J1197, ISO 14397-1, CEN** EN 474-3.

The rated operating load for a loader equipped with a pallet fork is determined by:
SAE J1197: 50% of full turn static tipping load or hydraulic limit.
CEN EN 474-3: 60% of full turn static tipping load on rough terrain or hydraulic limit.
CEN EN 474-3: 80% of full turn static tipping load on firm and level ground or hydraulic limit.

*SAE - Society of Automotive Engineers

**CEN - European Committee for Standardization



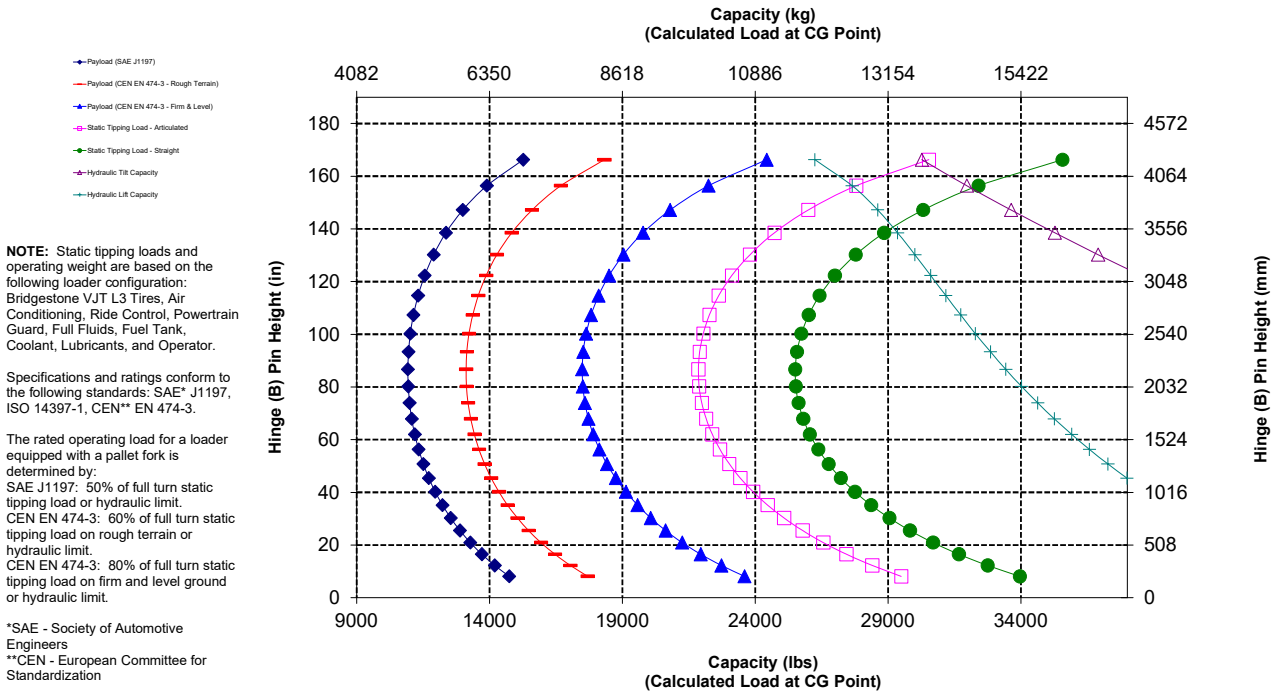
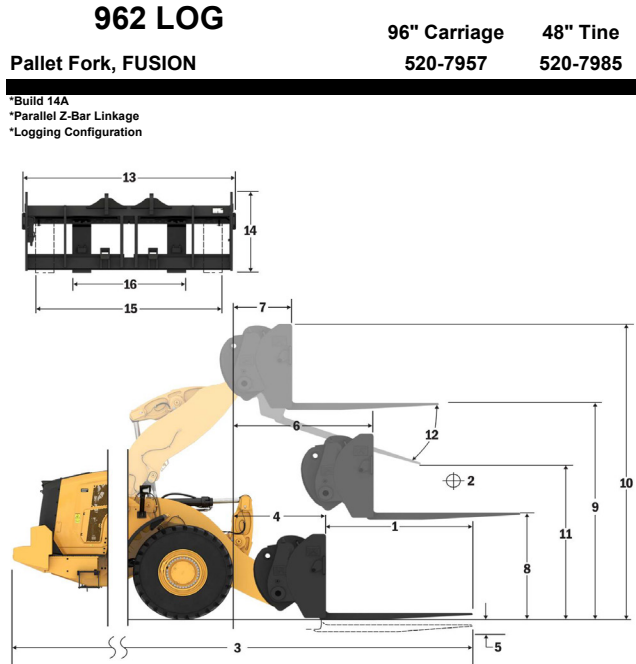
WARNING: Do not exceed tine load capacity. Individual tine capacity is stamped on the side of each tine.

Fork Specifications

Fork Specifications

1	Tine Length	mm	1219
		in	48.0
2	Load Center	mm	610
		in	24.0
	Static Tipping Load - Straight (Forks Level)	kg	11569
		lbs	25499
	Static Tipping Load - Articulated (Forks Level)	kg	9916
		lbs	21855
	Rated Load (SAE J1197 - 50% FTSTL)	kg	4958
		lbs	10927
	Rated Load (CEN EN 474-3 Rough Terrain - 60% FTSTL)	kg	5950
		lbs	13113
	Rated Load (CEN EN 474-3 Firm and Level Ground - 80% FTSTL)	kg	7933
		lbs	17484
3	Maximum Overall Length	mm	8946
		in	352.2
4	Reach with Forks at Ground Level	mm	1332
		in	52.5
5	*Ground to Bottom of Tine at Minimum Height and Fork Level	mm	-81
		in	-3.2
6	Reach with Arms Horizontal and Forks Level	mm	1841
		in	72.5
7	Reach with Fork at Maximum Height	mm	963
		in	37.9
8	Ground to Top of Tine with Arms Horizontal and Fork Level	mm	1874
		in	73.8
9	Ground to Top of Tine at Maximum Height and Fork Level	mm	4026
		in	158.5
10	Overall Height of Fork at Full Lift (top of carriage to ground)	mm	5066
		in	199.5
11	Clearance at Full Lift and Max Dump	mm	2740
		in	107.9
12	Max Discharge Angle from Horizontal	deg	52
13	Overall Carriage Width	mm	2528
		in	99.5
14	Overall Carriage Height	mm	1130
		in	44.5
15	Outside Tine Width (max spread)	mm	2178
		in	85.7
16	Outside Tine Width (min spread)	mm	576
		in	22.7
	Tine Width (single tine)	mm	180.0
		in	7.1
	Tine Thickness	mm	90.0
		in	3.5
	Tine Capacity	kg	22200
		lbs	48929
	Operating Weight	kg	20765
		lbs	45765

*Negative values indicate below grade



WARNING: Do not exceed tine load capacity. Individual tine capacity is stamped on the side of each tine.

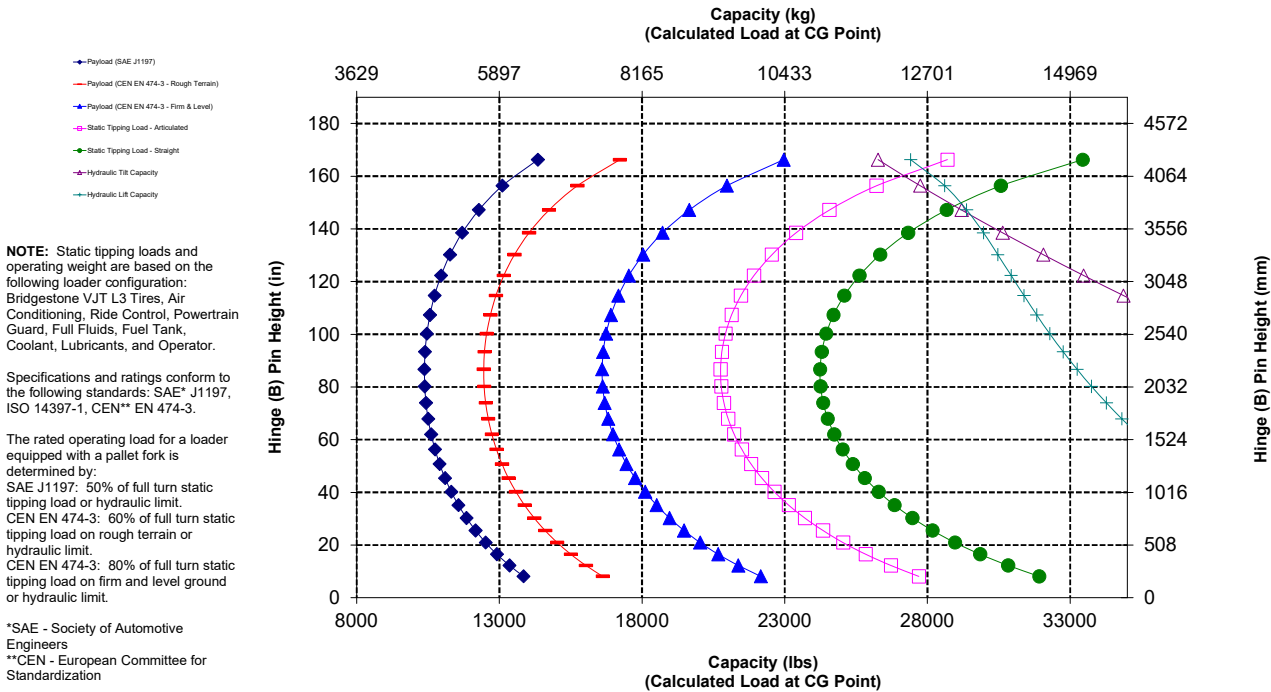
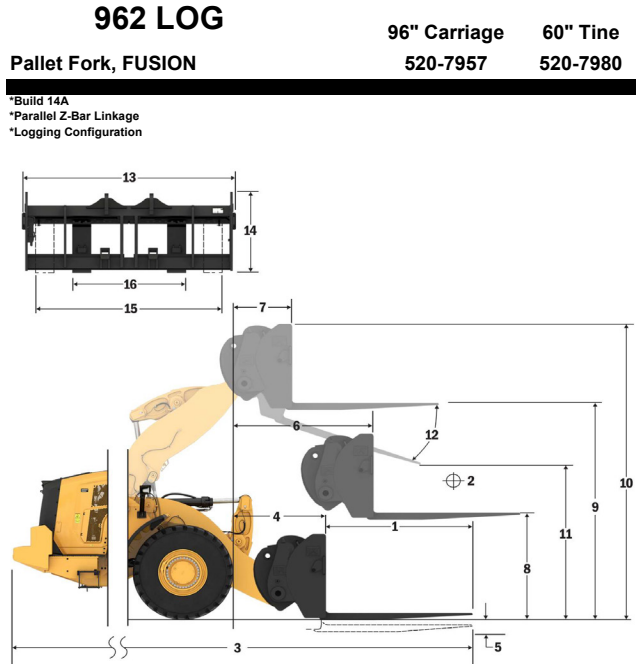
962 Forestry Machine Specifications

Fork Specifications

Fork Specifications

1	Tine Length	mm	1524
		in	60.0
2	Load Center	mm	762
		in	30.0
	Static Tipping Load - Straight (Forks Level)	kg	10993
		lbs	24229
	Static Tipping Load - Articulated (Forks Level)	kg	9412
		lbs	20745
	Rated Load (SAE J1197 - 50% FTSTL)	kg	4706
		lbs	10373
	Rated Load (CEN EN 474-3 Rough Terrain - 60% FTSTL)	kg	5647
		lbs	12447
	Rated Load (CEN EN 474-3 Firm and Level Ground - 80% FTSTL)	kg	7530
		lbs	16596
3	Maximum Overall Length	mm	9251
		in	364.2
4	Reach with Forks at Ground Level	mm	1333
		in	52.5
5	*Ground to Bottom of Tine at Minimum Height and Fork Level	mm	-81
		in	-3.2
6	Reach with Arms Horizontal and Forks Level	mm	1842
		in	72.5
7	Reach with Fork at Maximum Height	mm	963
		in	37.9
8	Ground to Top of Tine with Arms Horizontal and Fork Level	mm	1874
		in	73.8
9	Ground to Top of Tine at Maximum Height and Fork Level	mm	4026
		in	158.5
10	Overall Height of Fork at Full Lift (top of carriage to ground)	mm	5066
		in	199.5
11	Clearance at Full Lift and Max Dump	mm	2500
		in	98.4
12	Max Discharge Angle from Horizontal	deg	52
13	Overall Carriage Width	mm	2528
		in	99.5
14	Overall Carriage Height	mm	1130
		in	44.5
15	Outside Tine Width (max spread)	mm	2178
		in	85.7
16	Outside Tine Width (min spread)	mm	576
		in	22.7
	Tine Width (single tine)	mm	180.0
		in	7.1
	Tine Thickness	mm	90.0
		in	3.5
	Tine Capacity	kg	17800
		lbs	39231
	Operating Weight	kg	20831
		lbs	45911

*Negative values indicate below grade



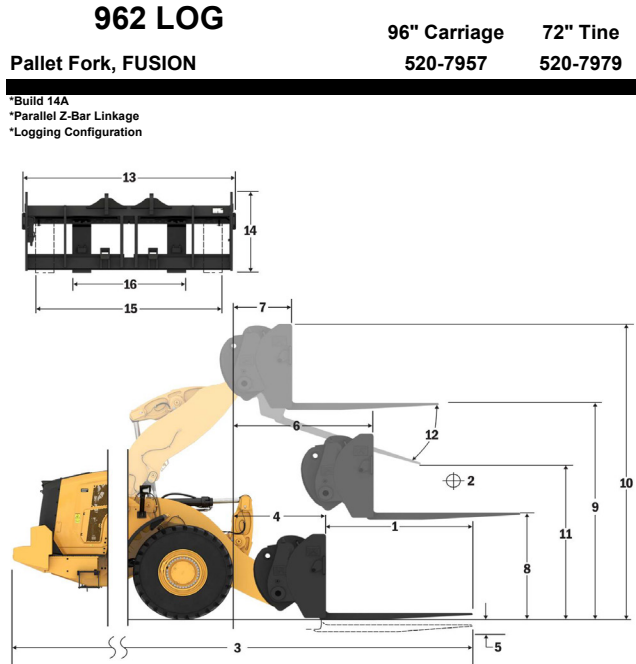
WARNING: Do not exceed tine load capacity. Individual tine capacity is stamped on the side of each tine.

Fork Specifications

Fork Specifications

1	Tine Length	mm	1829
		in	72.0
2	Load Center	mm	915
		in	36.0
	Static Tipping Load - Straight (Forks Level)	kg	10464
		lbs	23062
	Static Tipping Load - Articulated (Forks Level)	kg	8950
		lbs	19726
	Rated Load (SAE J1197 - 50% FTSTL)	kg	4475
		lbs	9863
	Rated Load (CEN EN 474-3 Rough Terrain - 60% FTSTL)	kg	5370
		lbs	11835
	Rated Load (CEN EN 474-3 Firm and Level Ground - 80% FTSTL)	kg	7160
		lbs	15781
3	Maximum Overall Length	mm	9556
		in	376.2
4	Reach with Forks at Ground Level	mm	1333
		in	52.5
5	*Ground to Bottom of Tine at Minimum Height and Fork Level	mm	-81
		in	-3.2
6	Reach with Arms Horizontal and Forks Level	mm	1842
		in	72.5
7	Reach with Fork at Maximum Height	mm	963
		in	37.9
8	Ground to Top of Tine with Arms Horizontal and Fork Level	mm	1874
		in	73.8
9	Ground to Top of Tine at Maximum Height and Fork Level	mm	4026
		in	158.5
10	Overall Height of Fork at Full Lift (top of carriage to ground)	mm	5066
		in	199.5
11	Clearance at Full Lift and Max Dump	mm	2259
		in	88.9
12	Max Discharge Angle from Horizontal	deg	52
13	Overall Carriage Width	mm	2528
		in	99.5
14	Overall Carriage Height	mm	1130
		in	44.5
15	Outside Tine Width (max spread)	mm	2178
		in	85.7
16	Outside Tine Width (min spread)	mm	576
		in	22.7
	Tine Width (single tine)	mm	180.0
		in	7.1
	Tine Thickness	mm	90.0
		in	3.5
	Tine Capacity	kg	14800
		lbs	32619
	Operating Weight	kg	20892
		lbs	46045

*Negative values indicate below grade



962 LOG
Pallet Fork, FUSION

96" Carriage 72" Tine
520-7957 520-7979

*Build 14A
*Parallel Z-Bar Linkage
*Logging Configuration

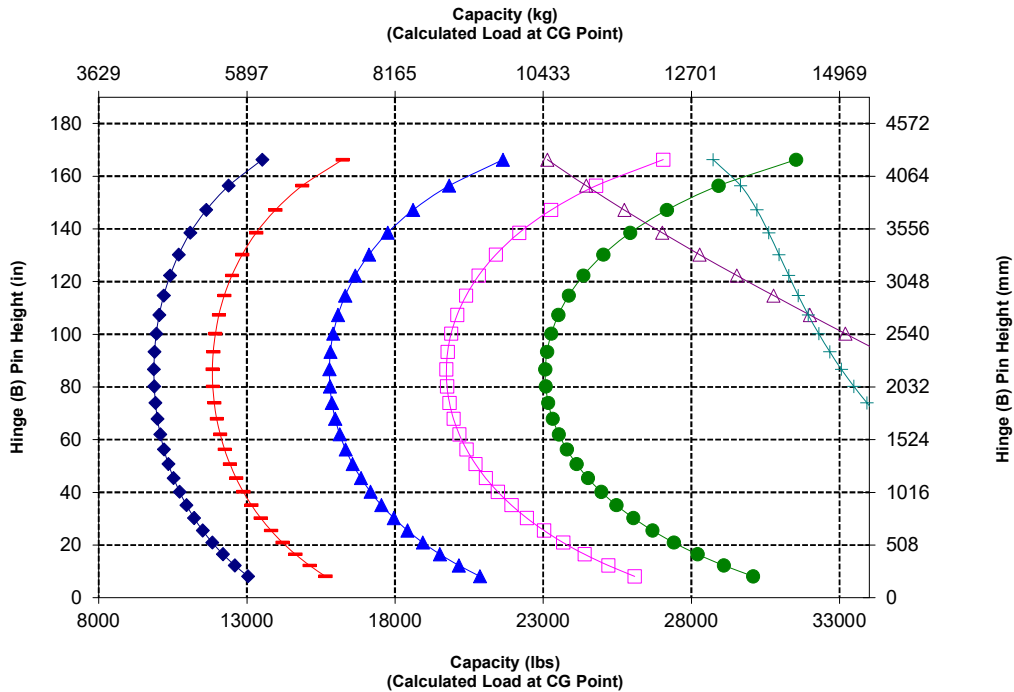
- ◆ Payload (SAE J1197)
- Payload (CEN EN 474-3 - Rough Terrain)
- ◆ Payload (CEN EN 474-3 - Firm & Level)
- ◆ Static Tipping Load - Articulated
- ◆ Static Tipping Load - Straight
- ◆ Hydraulic Tilt Capacity
- ◆ Hydraulic Lift Capacity

NOTE: Static tipping loads and operating weight are based on the following loader configuration: Bridgestone VJT L3 Tires, Air Conditioning, Ride Control, Powertrain Guard, Full Fluids, Fuel Tank, Coolant, Lubricants, and Operator.

Specifications and ratings conform to the following standards: SAE* J1197, ISO 14397-1, CEN** EN 474-3.

The rated operating load for a loader equipped with a pallet fork is determined by:
SAE J1197: 50% of full turn static tipping load or hydraulic limit.
CEN EN 474-3: 60% of full turn static tipping load on rough terrain or hydraulic limit.
CEN EN 474-3: 80% of full turn static tipping load on firm and level ground or hydraulic limit.

*SAE - Society of Automotive Engineers
**CEN - European Committee for Standardization



WARNING: Do not exceed tine load capacity. Individual tine capacity is stamped on the side of each tine.

962 Forestry Machine Specifications

Fork Specifications

Fork Specifications

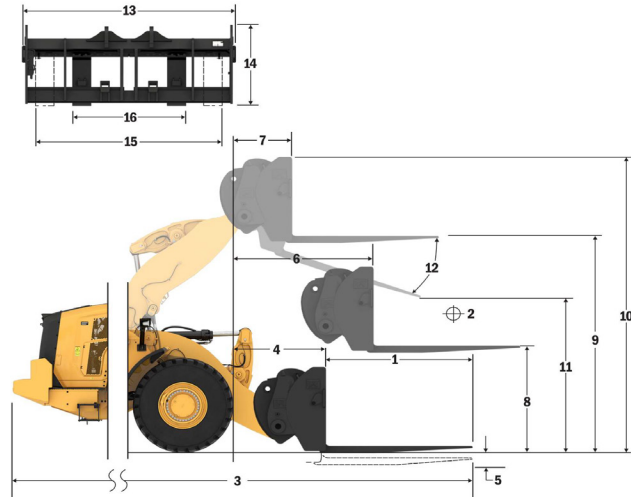
1	Tine Length	mm	2134
		in	84.0
2	Load Center	mm	1067
		in	42.0
	Static Tipping Load - Straight (Forks Level)	kg	9970
		lbs	21975
	Static Tipping Load - Articulated (Forks Level)	kg	8518
		lbs	18774
	Rated Load (SAE J1197 - 50% FTSTL)	kg	4259
		lbs	9387
	Rated Load (CEN EN 474-3 Rough Terrain - 60% FTSTL)	kg	5111
		lbs	11265
	Rated Load (CEN EN 474-3 Firm and Level Ground - 80% FTSTL)	kg	6815
		lbs	15019
3	Maximum Overall Length	mm	9861
		in	388.2
4	Reach with Forks at Ground Level	mm	1333
		in	52.5
5	*Ground to Bottom of Tine at Minimum Height and Fork Level	mm	-81
		in	-3.2
6	Reach with Arms Horizontal and Forks Level	mm	1842
		in	72.5
7	Reach with Fork at Maximum Height	mm	963
		in	37.9
8	Ground to Top of Tine with Arms Horizontal and Fork Level	mm	1874
		in	73.8
9	Ground to Top of Tine at Maximum Height and Fork Level	mm	4026
		in	158.5
10	Overall Height of Fork at Full Lift (top of carriage to ground)	mm	5066
		in	199.5
11	Clearance at Full Lift and Max Dump	mm	2019
		in	79.5
12	Max Discharge Angle from Horizontal	deg	52
13	Overall Carriage Width	mm	2528
		in	99.5
14	Overall Carriage Height	mm	1130
		in	44.5
15	Outside Tine Width (max spread)	mm	2178
		in	85.7
16	Outside Tine Width (min spread)	mm	576
		in	22.7
	Tine Width (single tine)	mm	180.0
		in	7.1
	Tine Thickness	mm	90.0
		in	3.5
	Tine Capacity	kg	12700
		lbs	27991
	Operating Weight	kg	20955
		lbs	46184

*Negative values indicate below grade

962 LOG Pallet Fork, FUSION

96" Carriage 84" Tine
520-7957 520-7986

*Build 14A
*Parallel Z-Bar Linkage
*Logging Configuration



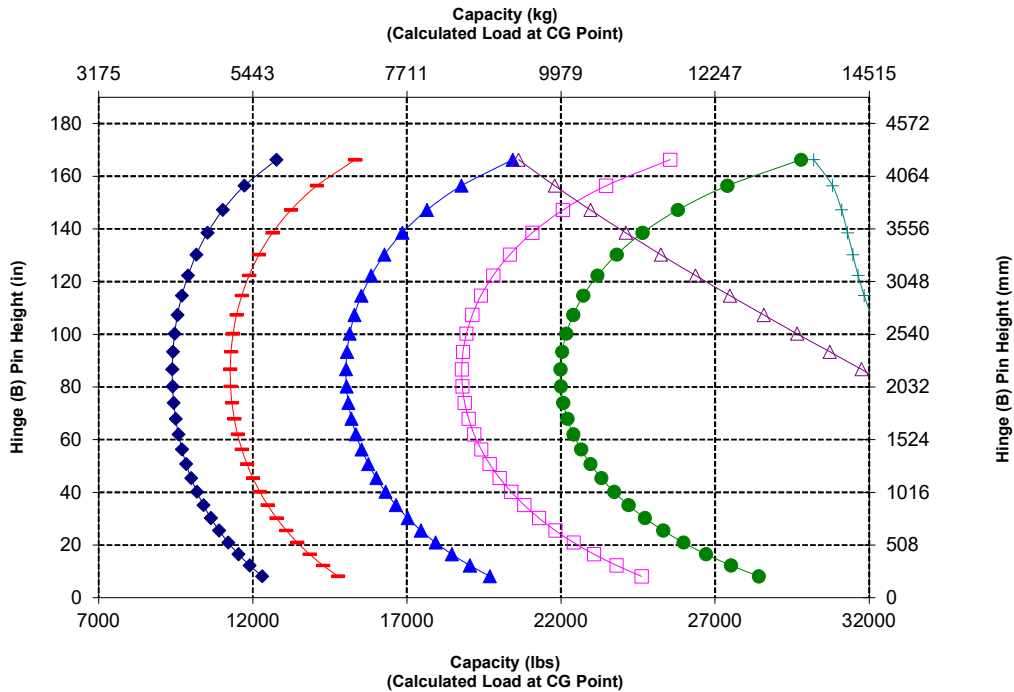
◆ Payload (SAE J1197)
 ◆ Payload (CEN EN 474-3 - Rough Terrain)
 ◆ Payload (CEN EN 474-3 - Firm & Level)
 ◆ Static Tipping Load - Articulated
 ◆ Static Tipping Load - Straight
 ◆ Hydraulic Tilt Capacity
 ◆ Hydraulic Lift Capacity

NOTE: Static tipping loads and operating weight are based on the following loader configuration: Bridgestone VJT L3 Tires, Air Conditioning, Ride Control, Powertrain Guard, Full Fluids, Fuel Tank, Coolant, Lubricants, and Operator.

Specifications and ratings conform to the following standards: SAE* J1197, ISO 14397-1, CEN** EN 474-3.

The rated operating load for a loader equipped with a pallet fork is determined by:
 SAE J1197: 50% of full turn static tipping load or hydraulic limit.
 CEN EN 474-3: 60% of full turn static tipping load on rough terrain or hydraulic limit.
 CEN EN 474-3: 80% of full turn static tipping load on firm and level ground or hydraulic limit.

*SAE - Society of Automotive Engineers
 **CEN - European Committee for Standardization



WARNING: Do not exceed tine load capacity. Individual tine capacity is stamped on the side of each tine.

Fork Specifications

Fork Specifications

1	Tine Length	mm	2438
		in	96.0
2	Load Center	mm	1219
		in	48.0
	Static Tipping Load - Straight (Forks Level)	kg	9513
		lbs	20968
	Static Tipping Load - Articulated (Forks Level)	kg	8118
		lbs	17892
	Rated Load (SAE J1197 - 50% FTSTL)	kg	4059
		lbs	8946
	Rated Load (CEN EN 474-3 Rough Terrain - 60% FTSTL)	kg	4871
		lbs	10735
	Rated Load (CEN EN 474-3 Firm and Level Ground - 80% FTSTL)	kg	6494
		lbs	14314
3	Maximum Overall Length	mm	10165
		in	400.2
4	Reach with Forks at Ground Level	mm	1333
		in	52.5
5	*Ground to Bottom of Tine at Minimum Height and Fork Level	mm	-81
		in	-3.2
6	Reach with Arms Horizontal and Forks Level	mm	1842
		in	72.5
7	Reach with Fork at Maximum Height	mm	963
		in	37.9
8	Ground to Top of Tine with Arms Horizontal and Fork Level	mm	1874
		in	73.8
9	Ground to Top of Tine at Maximum Height and Fork Level	mm	4026
		in	158.5
10	Overall Height of Fork at Full Lift (top of carriage to ground)	mm	5066
		in	199.5
11	Clearance at Full Lift and Max Dump	mm	1779
		in	70.0
12	Max Discharge Angle from Horizontal	deg	52
13	Overall Carriage Width	mm	2528
		in	99.5
14	Overall Carriage Height	mm	1130
		in	44.5
15	Outside Tine Width (max spread)	mm	2178
		in	85.7
16	Outside Tine Width (min spread)	mm	576
		in	22.7
	Tine Width (single tine)	mm	180.0
		in	7.1
	Tine Thickness	mm	90.0
		in	3.5
	Tine Capacity	kg	11300
		lbs	24905
	Operating Weight	kg	21017
		lbs	46321

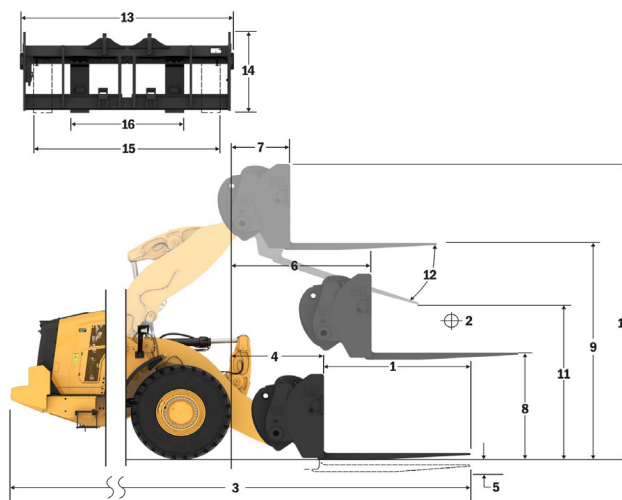
*Negative values indicate below grade

962 LOG Pallet Fork, FUSION

96" Carriage
520-7957

96" Tine
520-7981

*Build 14A
*Parallel Z-Bar Linkage
*Logging Configuration

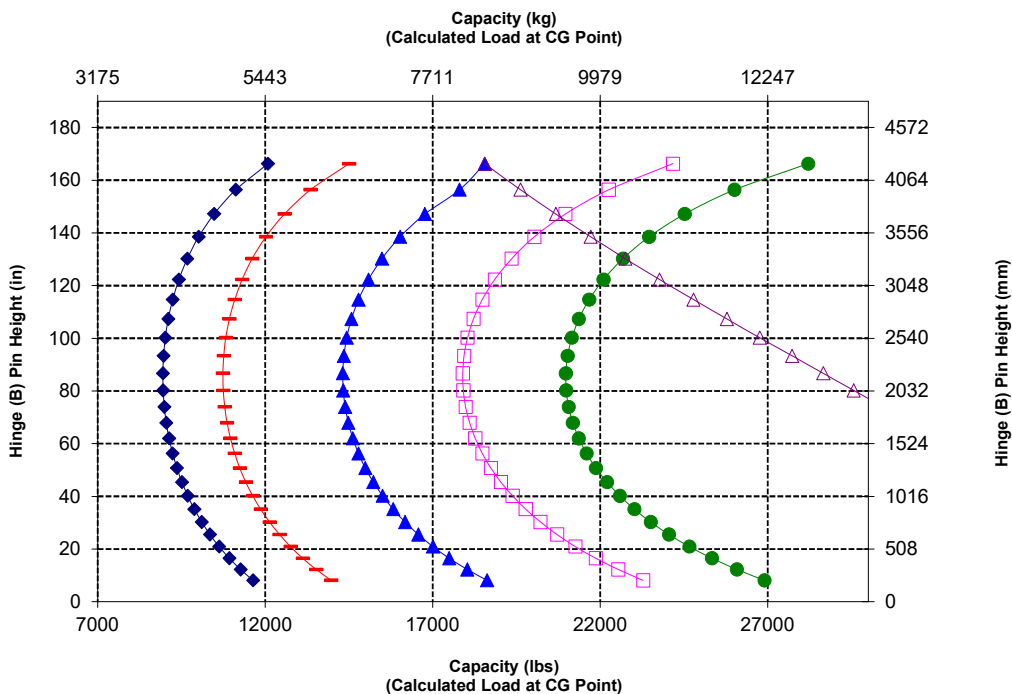


NOTE: Static tipping loads and operating weight are based on the following loader configuration: Bridgestone VJT L3 Tires, Air Conditioning, Ride Control, Powertrain Guard, Full Fluids, Fuel Tank, Coolant, Lubricants, and Operator.

Specifications and ratings conform to the following standards: SAE* J1197, ISO 14397-1, CEN** EN 474-3.

The rated operating load for a loader equipped with a pallet fork is determined by:
SAE J1197: 50% of full turn static tipping load or hydraulic limit.
CEN EN 474-3: 60% of full turn static tipping load on rough terrain or hydraulic limit.
CEN EN 474-3: 80% of full turn static tipping load on firm and level ground or hydraulic limit.

*SAE - Society of Automotive Engineers
**CEN - European Committee for Standardization



WARNING: Do not exceed tine load capacity. Individual tine capacity is stamped on the side of each tine.

962 Forestry Machine Specifications

Fork Specifications

Fork Specifications

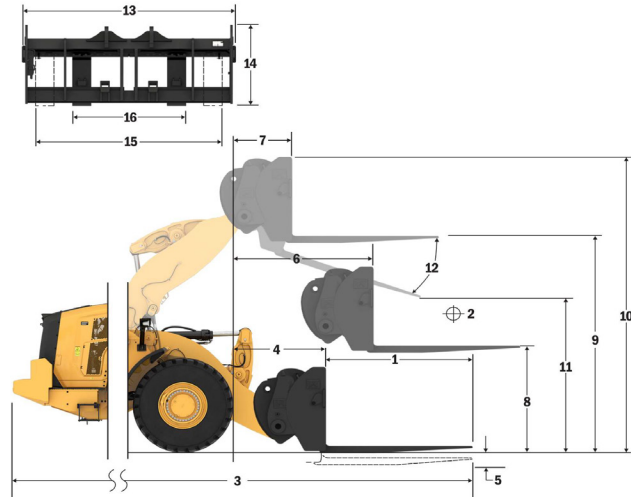
1	Tine Length	mm	1219
		in	48.0
2	Load Center	mm	610
		in	24.0
	Static Tipping Load - Straight (Forks Level)	kg	11528
		lbs	25409
	Static Tipping Load - Articulated (Forks Level)	kg	9875
		lbs	21765
	Rated Load (SAE J1197 - 50% FTSTL)	kg	4938
		lbs	10882
	Rated Load (CEN EN 474-3 Rough Terrain - 60% FTSTL)	kg	5925
		lbs	13059
	Rated Load (CEN EN 474-3 Firm and Level Ground - 80% FTSTL)	kg	7900
		lbs	17412
3	Maximum Overall Length	mm	8946
		in	352.2
4	Reach with Forks at Ground Level	mm	1332
		in	52.5
5	*Ground to Bottom of Tine at Minimum Height and Fork Level	mm	-81
		in	-3.2
6	Reach with Arms Horizontal and Forks Level	mm	1841
		in	72.5
7	Reach with Fork at Maximum Height	mm	963
		in	37.9
8	Ground to Top of Tine with Arms Horizontal and Fork Level	mm	1874
		in	73.8
9	Ground to Top of Tine at Maximum Height and Fork Level	mm	4026
		in	158.5
10	Overall Height of Fork at Full Lift (top of carriage to ground)	mm	5066
		in	199.5
11	Clearance at Full Lift and Max Dump	mm	2740
		in	107.9
12	Max Discharge Angle from Horizontal	deg	52
13	Overall Carriage Width	mm	2833
		in	111.5
14	Overall Carriage Height	mm	1130
		in	44.5
15	Outside Tine Width (max spread)	mm	2493
		in	98.1
16	Outside Tine Width (min spread)	mm	590
		in	23.2
	Tine Width (single tine)	mm	180.0
		in	7.1
	Tine Thickness	mm	90.0
		in	3.5
	Tine Capacity	kg	22200
		lbs	48929
	Operating Weight	kg	20818
		lbs	45882

*Negative values indicate below grade

962 LOG Pallet Fork, FUSION

108" Carriage 48" Tine
520-7968 520-7985

*Build 14A
*Parallel Z-Bar Linkage
*Logging Configuration



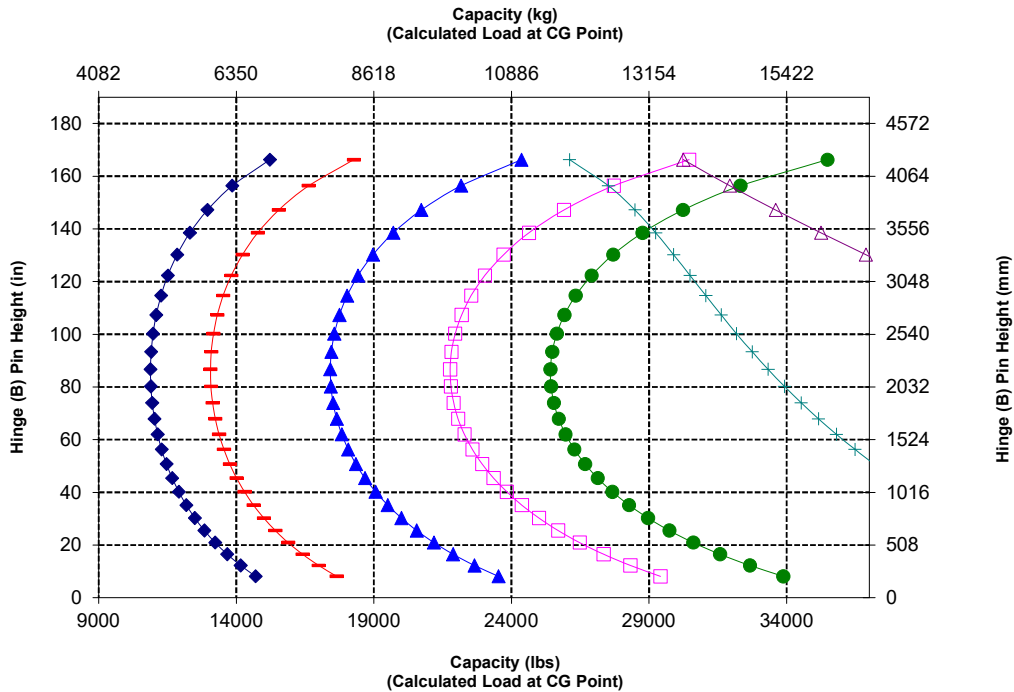
- ◆ Payload (SAE J1197)
- ◆ Payload (CEN EN 474-3 - Rough Terrain)
- ◆ Payload (CEN EN 474-3 - Firm & Level)
- ◆ Static Tipping Load - Articulated
- ◆ Static Tipping Load - Straight
- ◆ Hydraulic Lift Capacity
- ◆ Hydraulic Lift Capacity

NOTE: Static tipping loads and operating weight are based on the following loader configuration: Bridgestone VJT L3 Tires, Air Conditioning, Ride Control, Powertrain Guard, Full Fluids, Fuel Tank, Coolant, Lubricants, and Operator.

Specifications and ratings conform to the following standards: SAE* J1197, ISO 14397-1, CEN** EN 474-3.

The rated operating load for a loader equipped with a pallet fork is determined by:
SAE J1197: 50% of full turn static tipping load or hydraulic limit.
CEN EN 474-3: 60% of full turn static tipping load on rough terrain or hydraulic limit.
CEN EN 474-3: 80% of full turn static tipping load on firm and level ground or hydraulic limit.

*SAE - Society of Automotive Engineers
**CEN - European Committee for Standardization



WARNING: Do not exceed tine load capacity. Individual tine capacity is stamped on the side of each tine.

Fork Specifications

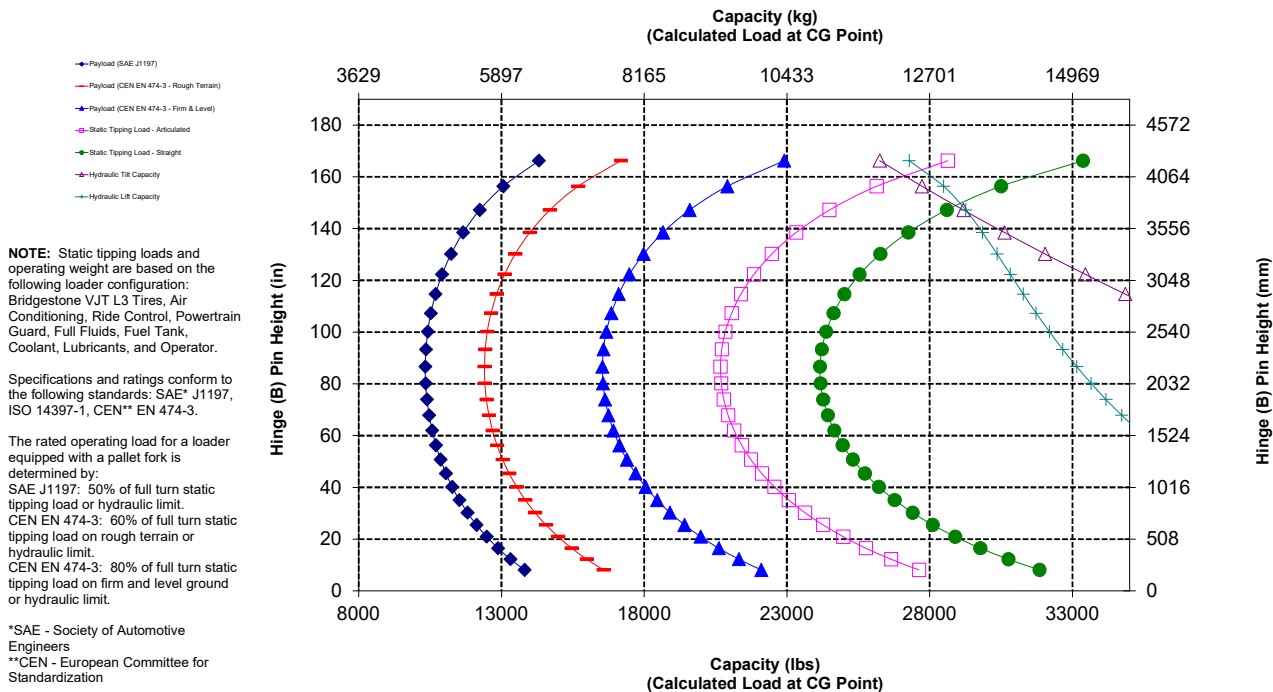
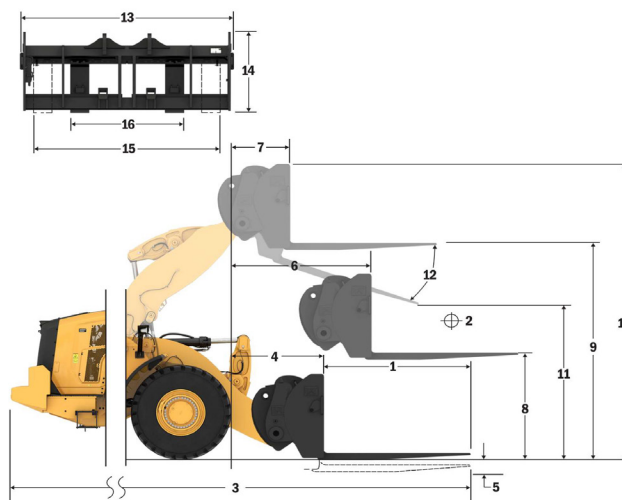
Fork Specifications

1	Tine Length	mm	1524
		in	60.0
2	Load Center	mm	762
		in	30.0
	Static Tipping Load - Straight (Forks Level)	kg	10958
		lbs	24151
	Static Tipping Load - Articulated (Forks Level)	kg	9377
		lbs	20667
	Rated Load (SAE J1197 - 50% FTSTL)	kg	4689
		lbs	10333
	Rated Load (CEN EN 474-3 Rough Terrain - 60% FTSTL)	kg	5626
		lbs	12400
	Rated Load (CEN EN 474-3 Firm and Level Ground - 80% FTSTL)	kg	7502
		lbs	16534
3	Maximum Overall Length	mm	9251
		in	364.2
4	Reach with Forks at Ground Level	mm	1333
		in	52.5
5	*Ground to Bottom of Tine at Minimum Height and Fork Level	mm	-81
		in	-3.2
6	Reach with Arms Horizontal and Forks Level	mm	1842
		in	72.5
7	Reach with Fork at Maximum Height	mm	963
		in	37.9
8	Ground to Top of Tine with Arms Horizontal and Fork Level	mm	1874
		in	73.8
9	Ground to Top of Tine at Maximum Height and Fork Level	mm	4026
		in	158.5
10	Overall Height of Fork at Full Lift (top of carriage to ground)	mm	5066
		in	199.5
11	Clearance at Full Lift and Max Dump	mm	2500
		in	98.4
12	Max Discharge Angle from Horizontal	deg	52
13	Overall Carriage Width	mm	2833
		in	111.5
14	Overall Carriage Height	mm	1130
		in	44.5
15	Outside Tine Width (max spread)	mm	2483
		in	97.8
16	Outside Tine Width (min spread)	mm	590
		in	23.2
	Tine Width (single tine)	mm	180.0
		in	7.1
	Tine Thickness	mm	90.0
		in	3.5
	Tine Capacity	kg	17800
		lbs	39231
	Operating Weight	kg	20880
		lbs	46019

*Negative values indicate below grade

962 LOG Pallet Fork, FUSION 108" Carriage 60" Tine 520-7968 520-7980

*Build 14A
*Parallel Z-Bar Linkage
*Logging Configuration



WARNING: Do not exceed tine load capacity. Individual tine capacity is stamped on the side of each tine.

962 Forestry Machine Specifications

Fork Specifications

Fork Specifications

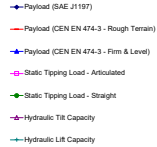
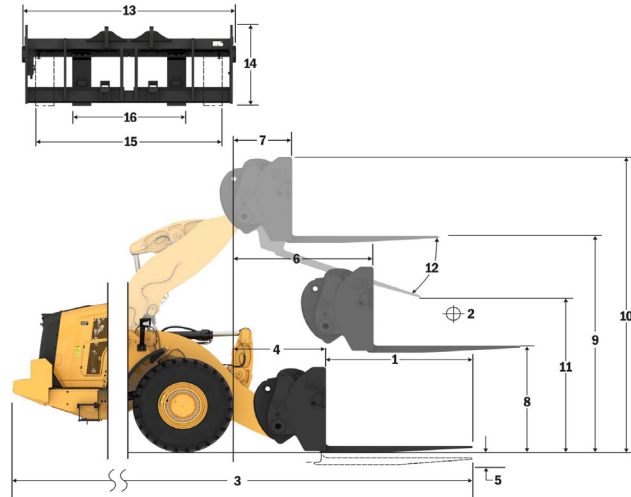
1	Tine Length	mm	1829
		in	72.0
2	Load Center	mm	915
		in	36.0
	Static Tipping Load - Straight (Forks Level)	kg	10429
		lbs	22985
	Static Tipping Load - Articulated (Forks Level)	kg	8915
		lbs	19648
	Rated Load (SAE J1197 - 50% FTSTL)	kg	4457
		lbs	9824
	Rated Load (CEN EN 474-3 Rough Terrain - 60% FTSTL)	kg	5349
		lbs	11789
	Rated Load (CEN EN 474-3 Firm and Level Ground - 80% FTSTL)	kg	7132
		lbs	15719
3	Maximum Overall Length	mm	9556
		in	376.2
4	Reach with Forks at Ground Level	mm	1333
		in	52.5
5	*Ground to Bottom of Tine at Minimum Height and Fork Level	mm	-81
		in	-3.2
6	Reach with Arms Horizontal and Forks Level	mm	1842
		in	72.5
7	Reach with Fork at Maximum Height	mm	963
		in	37.9
8	Ground to Top of Tine with Arms Horizontal and Fork Level	mm	1874
		in	73.8
9	Ground to Top of Tine at Maximum Height and Fork Level	mm	4026
		in	158.5
10	Overall Height of Fork at Full Lift (top of carriage to ground)	mm	5066
		in	199.5
11	Clearance at Full Lift and Max Dump	mm	2259
		in	88.9
12	Max Discharge Angle from Horizontal	deg	52
13	Overall Carriage Width	mm	2833
		in	111.5
14	Overall Carriage Height	mm	1130
		in	44.5
15	Outside Tine Width (max spread)	mm	2483
		in	97.8
16	Outside Tine Width (min spread)	mm	590
		in	23.2
	Tine Width (single tine)	mm	180.0
		in	7.1
	Tine Thickness	mm	90.0
		in	3.5
	Tine Capacity	kg	14800
		lbs	32619
	Operating Weight	kg	20942
		lbs	46155

*Negative values indicate below grade

962 LOG Pallet Fork, FUSION

108" Carriage 72" Tine
520-7968 520-7979

*Build 14A
*Parallel Z-Bar Linkage
*Logging Configuration



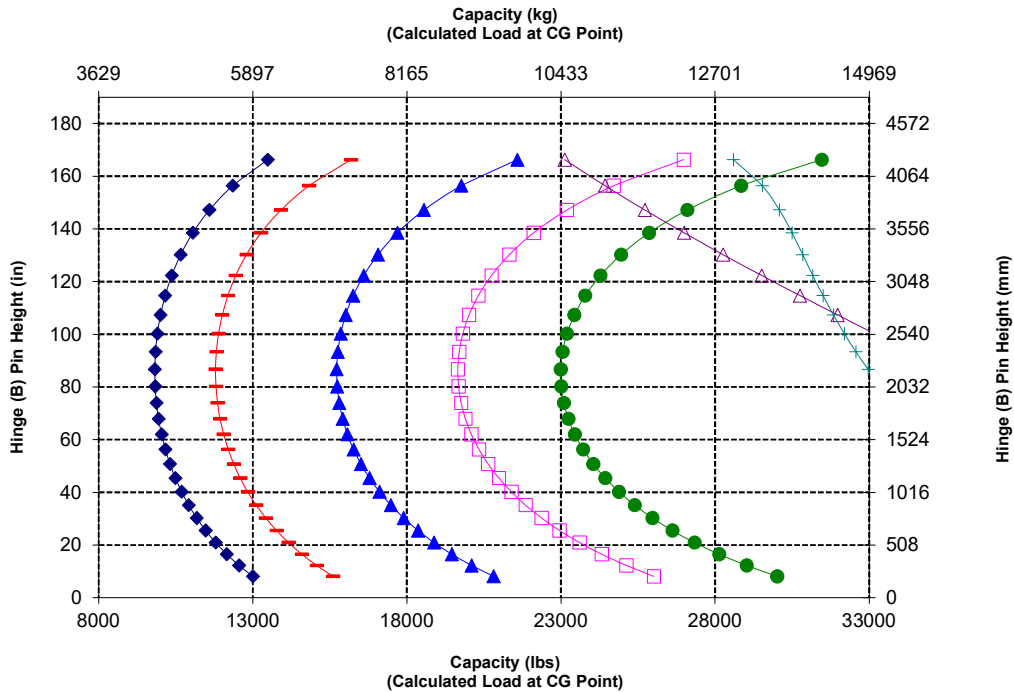
NOTE: Static tipping loads and operating weight are based on the following loader configuration: Bridgestone VJT L3 Tires, Air Conditioning, Ride Control, Powertrain Guard, Full Fluids, Fuel Tank, Coolant, Lubricants, and Operator.

Specifications and ratings conform to the following standards: SAE* J1197, ISO 14397-1, CEN** EN 474-3.

The rated operating load for a loader equipped with a pallet fork is determined by:
SAE J1197: 50% of full turn static tipping load or hydraulic limit.
CEN EN 474-3: 60% of full turn static tipping load on rough terrain or hydraulic limit.
CEN EN 474-3: 80% of full turn static tipping load on firm and level ground or hydraulic limit.

*SAE - Society of Automotive Engineers

**CEN - European Committee for Standardization



WARNING: Do not exceed tine load capacity. Individual tine capacity is stamped on the side of each tine.

Fork Specifications

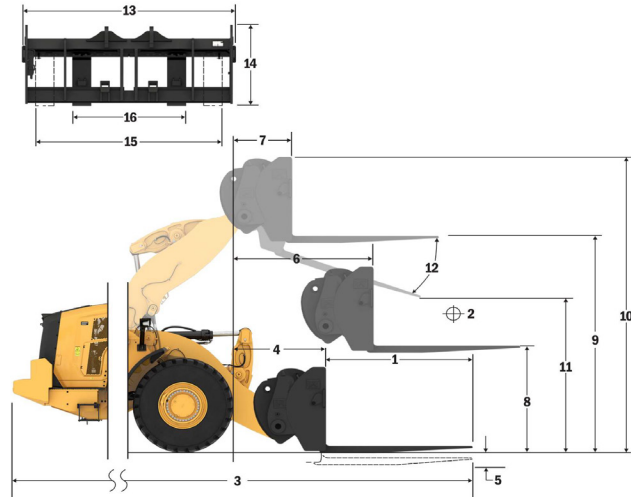
Fork Specifications

1	Tine Length	mm	2134
		in	84.0
2	Load Center	mm	1067
		in	42.0
	Static Tipping Load - Straight (Forks Level)	kg	9938
		lbs	21903
	Static Tipping Load - Articulated (Forks Level)	kg	8486
		lbs	18702
	Rated Load (SAE J1197 - 50% FTSTL)	kg	4243
		lbs	9351
	Rated Load (CEN EN 474-3 Rough Terrain - 60% FTSTL)	kg	5091
		lbs	11221
	Rated Load (CEN EN 474-3 Firm and Level Ground - 80% FTSTL)	kg	6789
		lbs	14962
3	Maximum Overall Length	mm	9861
		in	388.2
4	Reach with Forks at Ground Level	mm	1333
		in	52.5
5	*Ground to Bottom of Tine at Minimum Height and Fork Level	mm	-81
		in	-3.2
6	Reach with Arms Horizontal and Forks Level	mm	1842
		in	72.5
7	Reach with Fork at Maximum Height	mm	963
		in	37.9
8	Ground to Top of Tine with Arms Horizontal and Fork Level	mm	1874
		in	73.8
9	Ground to Top of Tine at Maximum Height and Fork Level	mm	4026
		in	158.5
10	Overall Height of Fork at Full Lift (top of carriage to ground)	mm	5066
		in	199.5
11	Clearance at Full Lift and Max Dump	mm	2019
		in	79.5
12	Max Discharge Angle from Horizontal	deg	52
13	Overall Carriage Width	mm	2833
		in	111.5
14	Overall Carriage Height	mm	1130
		in	44.5
15	Outside Tine Width (max spread)	mm	2483
		in	97.8
16	Outside Tine Width (min spread)	mm	590
		in	23.2
	Tine Width (single tine)	mm	180.0
		in	7.1
	Tine Thickness	mm	90.0
		in	3.5
	Tine Capacity	kg	12700
		lbs	27991
	Operating Weight	kg	21004
		lbs	46292

*Negative values indicate below grade

962 LOG Pallet Fork, FUSION 108" Carriage 84" Tine 520-7968 84" Tine 520-7986

*Build 14A
*Parallel Z-Bar Linkage
*Logging Configuration

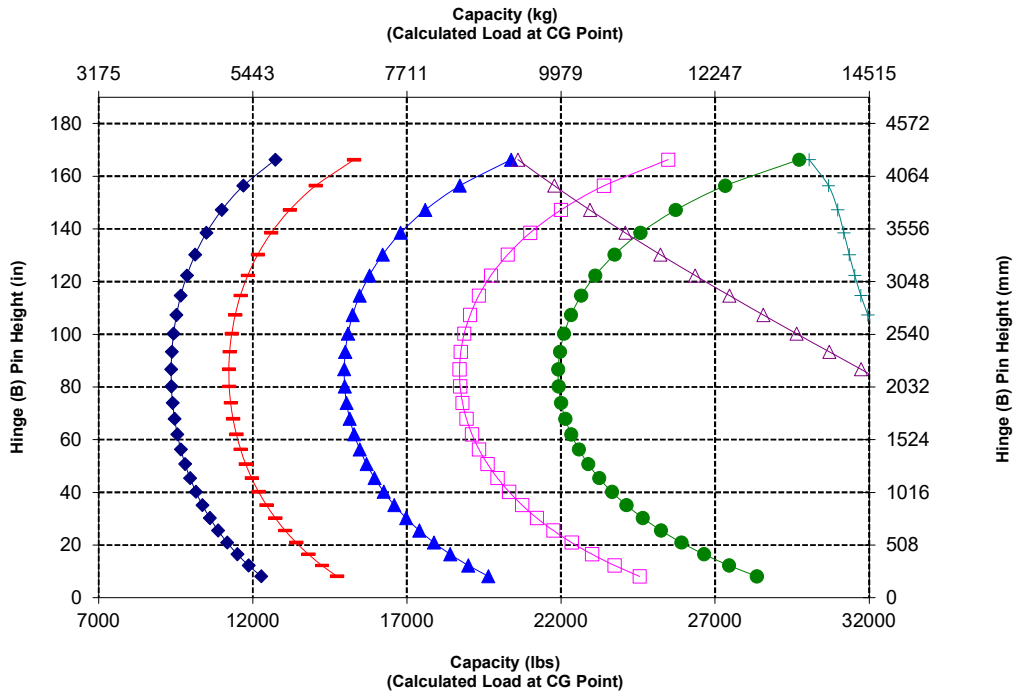


NOTE: Static tipping loads and operating weight are based on the following loader configuration: Bridgestone VJT L3 Tires, Air Conditioning, Ride Control, Powertrain Guard, Full Fluids, Fuel Tank, Coolant, Lubricants, and Operator.

Specifications and ratings conform to the following standards: SAE* J1197, ISO 14397-1, CEN** EN 474-3.

The rated operating load for a loader equipped with a pallet fork is determined by:
SAE J1197: 50% of full turn static tipping load or hydraulic limit.
CEN EN 474-3: 60% of full turn static tipping load on rough terrain or hydraulic limit.
CEN EN 474-3: 80% of full turn static tipping load on firm and level ground or hydraulic limit.

*SAE - Society of Automotive Engineers
**CEN - European Committee for Standardization



WARNING: Do not exceed tine load capacity. Individual tine capacity is stamped on the side of each tine.

962 Forestry Machine Specifications

Fork Specifications

Fork Specifications

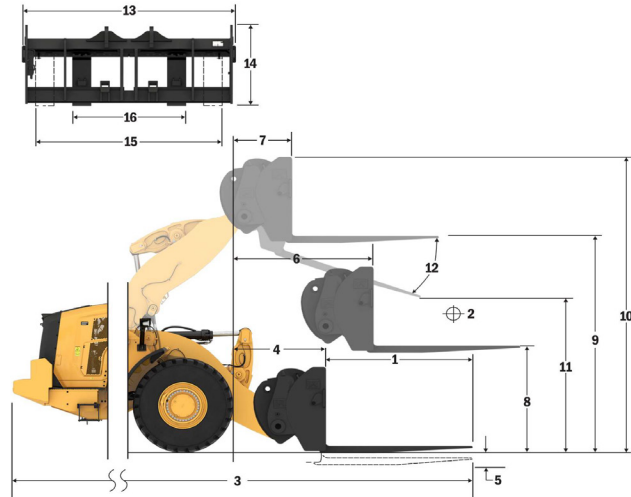
1	Tine Length	mm	2438
		in	96.0
2	Load Center	mm	1219
		in	48.0
	Static Tipping Load - Straight (Forks Level)	kg	9481
		lbs	20897
	Static Tipping Load - Articulated (Forks Level)	kg	8086
		lbs	17821
	Rated Load (SAE J1197 - 50% FTSTL)	kg	4043
		lbs	8910
	Rated Load (CEN EN 474-3 Rough Terrain - 60% FTSTL)	kg	4851
		lbs	10693
	Rated Load (CEN EN 474-3 Firm and Level Ground - 80% FTSTL)	kg	6469
		lbs	14257
3	Maximum Overall Length	mm	10165
		in	400.2
4	Reach with Forks at Ground Level	mm	1333
		in	52.5
5	*Ground to Bottom of Tine at Minimum Height and Fork Level	mm	-81
		in	-3.2
6	Reach with Arms Horizontal and Forks Level	mm	1842
		in	72.5
7	Reach with Fork at Maximum Height	mm	963
		in	37.9
8	Ground to Top of Tine with Arms Horizontal and Fork Level	mm	1874
		in	73.8
9	Ground to Top of Tine at Maximum Height and Fork Level	mm	4026
		in	158.5
10	Overall Height of Fork at Full Lift (top of carriage to ground)	mm	5066
		in	199.5
11	Clearance at Full Lift and Max Dump	mm	1779
		in	70.0
12	Max Discharge Angle from Horizontal	deg	52
13	Overall Carriage Width	mm	2833
		in	111.5
14	Overall Carriage Height	mm	1130
		in	44.5
15	Outside Tine Width (max spread)	mm	2483
		in	97.8
16	Outside Tine Width (min spread)	mm	590
		in	23.2
	Tine Width (single tine)	mm	180.0
		in	7.1
	Tine Thickness	mm	90.0
		in	3.5
	Tine Capacity	kg	11300
		lbs	24905
	Operating Weight	kg	21067
		lbs	46431

*Negative values indicate below grade

962 LOG Pallet Fork, FUSION

108" Carriage 96" Tine
520-7968 520-7981

*Build 14A
*Parallel Z-Bar Linkage
*Logging Configuration



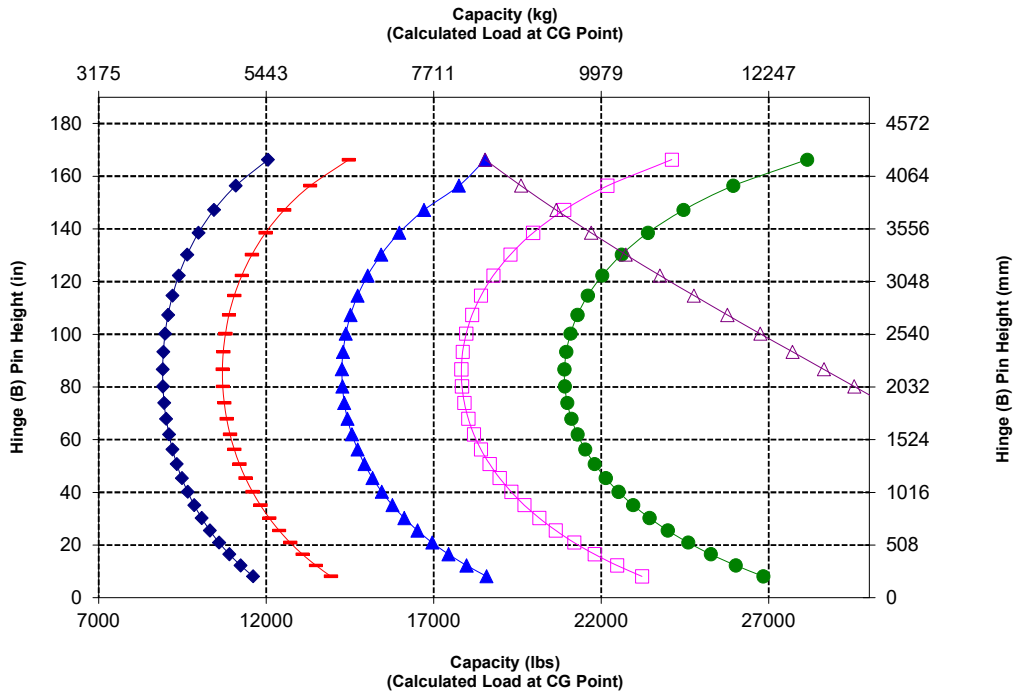
- ◆ Payload (SAE J1197)
- ◆ Payload (CEN EN 474-3 - Rough Terrain)
- ◆ Payload (CEN EN 474-3 - Firm & Level)
- ◆ Static Tipping Load - Articulated
- ◆ Static Tipping Load - Straight
- ◆ Hydraulic Tilt Capacity
- ◆ Hydraulic Lift Capacity

NOTE: Static tipping loads and operating weight are based on the following loader configuration: Bridgestone VJT L3 Tires, Air Conditioning, Ride Control, Powertrain Guard, Full Fluids, Fuel Tank, Coolant, Lubricants, and Operator.

Specifications and ratings conform to the following standards: SAE* J1197, ISO 14397-1, CEN** EN 474-3.

The rated operating load for a loader equipped with a pallet fork is determined by:
SAE J1197: 50% of full turn static tipping load or hydraulic limit.
CEN EN 474-3: 60% of full turn static tipping load on rough terrain or hydraulic limit.
CEN EN 474-3: 80% of full turn static tipping load on firm and level ground or hydraulic limit.

*SAE - Society of Automotive Engineers
**CEN - European Committee for Standardization



WARNING: Do not exceed tine load capacity. Individual tine capacity is stamped on the side of each tine.

Fork Specifications

Fork Specifications

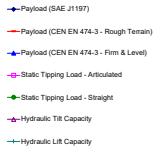
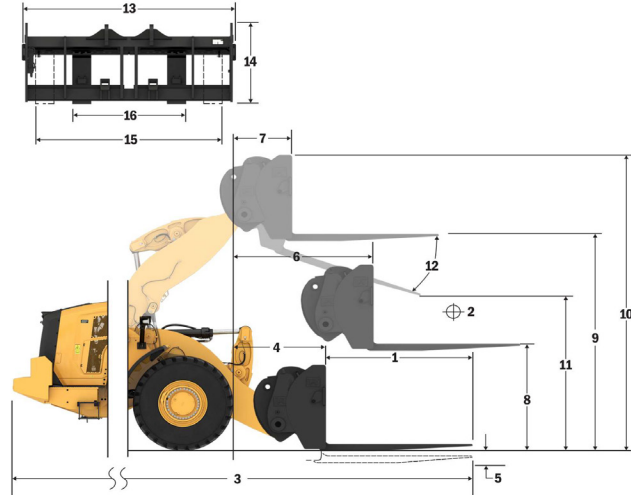
1	Tine Length	mm	2438
		in	96.0
2	Load Center	mm	1219
		in	48.0
	Static Tipping Load - Straight (Forks Level)	kg	9184
		lbs	20242
	Static Tipping Load - Articulated (Forks Level)	kg	7824
		lbs	17244
	Rated Load (SAE J1197 - 50% FTSTL)	kg	3912
		lbs	8622
	Rated Load (CEN EN 474-3 Rough Terrain - 60% FTSTL)	kg	4694
		lbs	10346
	Rated Load (CEN EN 474-3 Firm and Level Ground - 80% FTSTL)	kg	6259
		lbs	13795
3	Maximum Overall Length	mm	10271
		in	404.4
4	Reach with Forks at Ground Level	mm	1439
		in	56.7
5	*Ground to Bottom of Tine at Minimum Height and Fork Level	mm	-91
		in	-3.6
6	Reach with Arms Horizontal and Forks Level	mm	1941
		in	76.4
7	Reach with Fork at Maximum Height	mm	1062
		in	41.8
8	Ground to Top of Tine with Arms Horizontal and Fork Level	mm	1864
		in	73.4
9	Ground to Top of Tine at Maximum Height and Fork Level	mm	4016
		in	158.1
10	Overall Height of Fork at Full Lift (top of carriage to ground)	mm	5084
		in	200.1
11	Clearance at Full Lift and Max Dump	mm	1705
		in	67.1
12	Max Discharge Angle from Horizontal	deg	52
13	Overall Carriage Width	mm	2542
		in	100.1
14	Overall Carriage Height	mm	1158
		in	45.6
15	Outside Tine Width (max spread)	mm	2312
		in	91.0
16	Outside Tine Width (min spread)	mm	896
		in	35.3
	Tine Width (single tine)	mm	180.0
		in	7.1
	Tine Thickness	mm	90.0
		in	3.5
	Tine Capacity	kg	10100
		lbs	22260
	Operating Weight	kg	21116
		lbs	46539

*Negative values indicate below grade

962 LOG Pallet - Hyd Adjustable, FUSION

96" Tine
468-2852

*Build 14A
*Parallel Z-Bar Linkage
*Logging Configuration

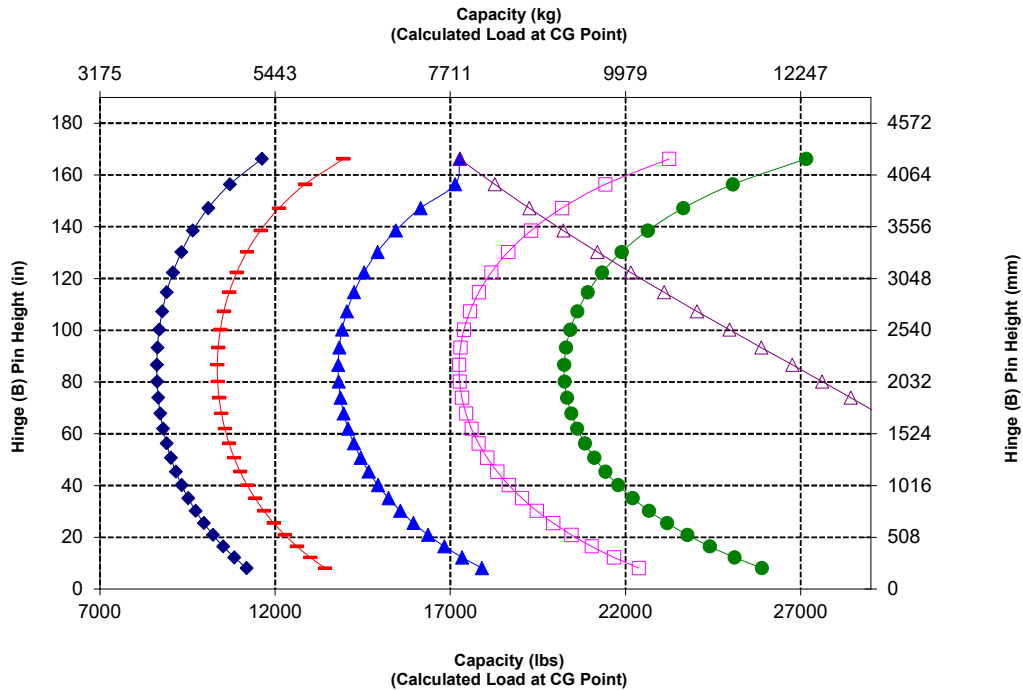


NOTE: Static tipping loads and operating weight are based on the following loader configuration: Bridgestone VJT L3 Tires, Air Conditioning, Ride Control, Powertrain Guard, Full Fluids, Fuel Tank, Coolant, Lubricants, and Operator.

Specifications and ratings conform to the following standards: SAE* J1197, ISO 14397-1, CEN** EN 474-3.

The rated operating load for a loader equipped with a pallet fork is determined by:
SAE J1197: 50% of full turn static tipping load or hydraulic limit.
CEN EN 474-3: 60% of full turn static tipping load on rough terrain or hydraulic limit.
CEN EN 474-3: 80% of full turn static tipping load on firm and level ground or hydraulic limit.

*SAE - Society of Automotive Engineers
**CEN - European Committee for Standardization



WARNING: Do not exceed tine load capacity. Individual tine capacity is stamped on the side of each tine.

Material Handling Specifications

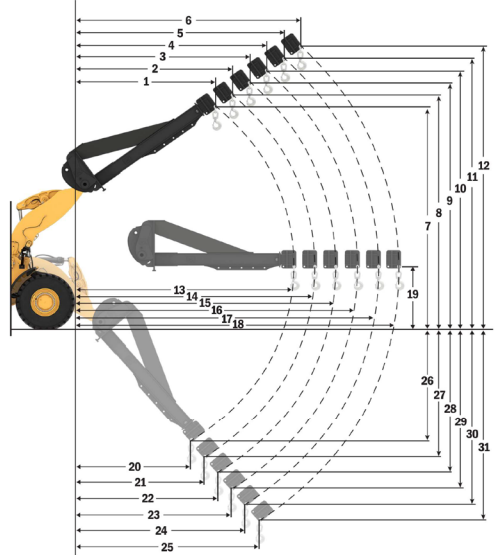
962 LOG

289-9885

Material Handling Arm, FUSION

6 Position

- *Build 14A
- *Parallel Z-Bar Linkage
- *Logging Configuration

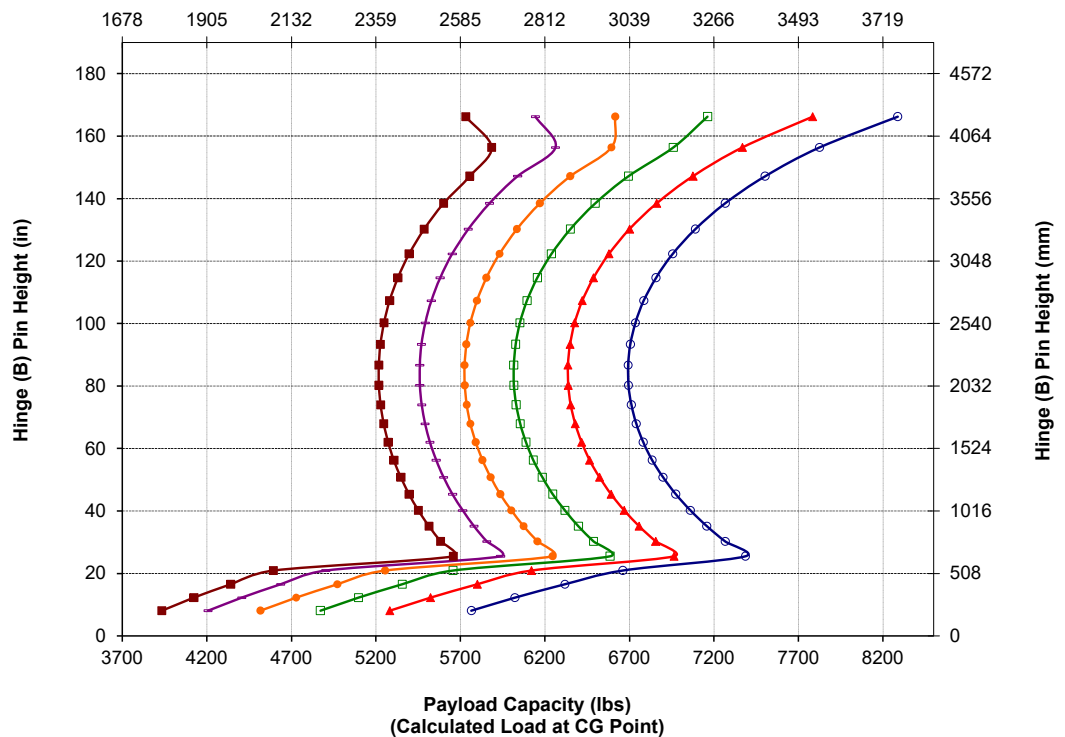


MHA Specifications

	Retracted	Extension 1	Extension 2	Extension 3	Extension 4	Extended	
Max Lift - Hook Eyelet Reach (1, 2, 3, 4, 5, 6)	mm ft, in	2,386 7' 9"	2,539 8' 3"	2,692 8' 9"	2,845 9' 4"	2,998 9' 10"	3,151 10' 4"
Max Lift - Hook Eyelet Height (7, 8, 9, 10, 11, 12)	mm ft, in	6,963 22' 10"	7,226 23' 8"	7,490 24' 6"	7,754 25' 5"	8,017 26' 3"	8,281 27' 2"
Level - Hook Eyelet Reach (13, 14, 15, 16, 17, 18)	mm ft, in	4,708 15' 5"	5,013 16' 5"	5,317 17' 5"	5,622 18' 5"	5,927 19' 5"	6,232 20' 5"
Level - Hook Eyelet Height (19)	mm ft, in	1,839 6' 0.3"	1,839 6' 0.3"	1,839 6' 0.3"	1,839 6' 0.3"	1,839 6' 0.3"	1,839 6' 0.3"
Min Lift - Hook Eyelet Reach (20, 21, 22, 23, 24, 25)	mm ft, in	2,511 8' 2"	2,688 8' 9"	2,866 9' 4"	3,043 9' 11"	3,221 10' 6"	3,399 11' 1"
Min Lift - Hook Eyelet Height (26, 27, 28, 29, 30, 31)	mm ft, in	(2,614) -8' 5"	(2,862) -9' 7"	(3,109) -10' 9"	(3,357) -11' 11"	(3,605) -11' 2"	(3,852) -12' 4"
Static Tipping Load, Straight	kg lb	7,068 15,578	6,692 14,748	6,353 14,001	6,045 13,324	5,766 12,708	5,510 12,144
Static Tipping Load, Articulated	kg lb	6,095 13,432	5,769 12,715	5,476 12,069	5,210 11,484	4,969 10,951	4,747 10,463
Operating Weight	kg lb	20,214 44,551	20,214 44,551	20,214 44,551	20,214 44,551	20,214 44,551	20,214 44,551

- Retracted
- Extension 1
- Extension 2
- Extension 3
- Extension 4
- Extended

Payload Capacity (kg) (Calculated Load at CG Point)





962

Corrosion Resistant

The Cat 962 Wheel Loader Corrosion Resistant package adds real value in protecting your machine investment. An industry-unique factory treatment provides more protection for all machine components that can be affected by corrosive materials. It's designed for improving reliability and durability in demanding corrosive environments such as fertilizer plants, chemical industries, agriculture, saltwater ports, and others.

Proven Reliability

- Cat C7.1 engine offers high power density with a combination of proven electronics, fuel, and air systems.
- Equipped with automatic Cat regeneration system, Cat Clean Emissions Module (CEM) with diesel particulate filter (DPF), and diesel exhaust fluid (DEF) tank and pump.
- Thorough component design and machine validation processes result in unmatched reliability and uptime.

Durability

- Corrosion resistant package includes silicon protection applied to all electrical terminals: alternator, engine starter, engine ground cable, and battery cables to maximize component life.
- Exposed electrical connectors are treated with shrinkable heat tube.
- Heavy-duty brushless alternator is utilized for increased durability.
- Optional paint protection that is more than two times the thickness of the standard paint. Extra primer coats are applied before the final polyurethane topcoat.

Achieve Greater Fuel Efficiency and Productivity

- Five-speed transmission and lock-up clutch torque converter, powertrains deliver smooth shifting, fast acceleration, and speed on grade for greater performance and fuel efficiency.
- Single clutch and lock-to-lock shifting for faster acceleration and speed on grades.
- Deeply integrated engine, powertrain, and hydraulic systems deliver unmatched productivity and fuel efficiency.

Safety Features

- Rear-vision camera enhances visibility behind the machine, helping you work safely and confidently.
- Cab access with wide door, optional remote door opening, and inclined steps add solid stability.
- Floor-to-ceiling windshield, large mirrors with integrated spot mirrors, and rear-vision camera provide industry leading all-around visibility.
- Monitored seat belt is standard and can be enhanced with an optional exterior indicator.

- Optional multiview (360°) vision system helps the operator monitor the surroundings of the machine at all times.
- Optional Cat Detect radar technology enhances awareness by monitoring the working environment and alerts operators to hazards.
- Optional access light and under-hood service light system to provide illuminated access to the machine and daily checks even in the dark.

Reduced Maintenance Time and Costs

- Extended fluid and filter change intervals reduce maintenance costs by up to 30%.*
- Remote Troubleshoot can connect the machine to the dealer service department to help diagnose problems quickly so you can get back to work.
- Remote Flash works around your schedule to ensure your machine's software is up to date for optimal performance.
- One-piece tilting hood makes engine compartment access fast and easy.
- Optional integrated autolube extends component and service life.

Work in Comfort in the All New Cab

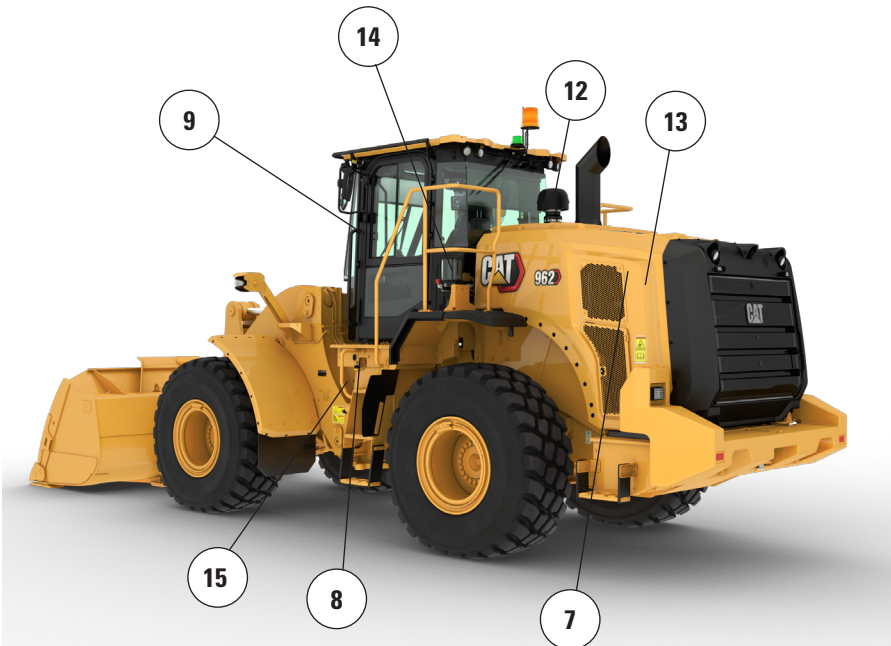
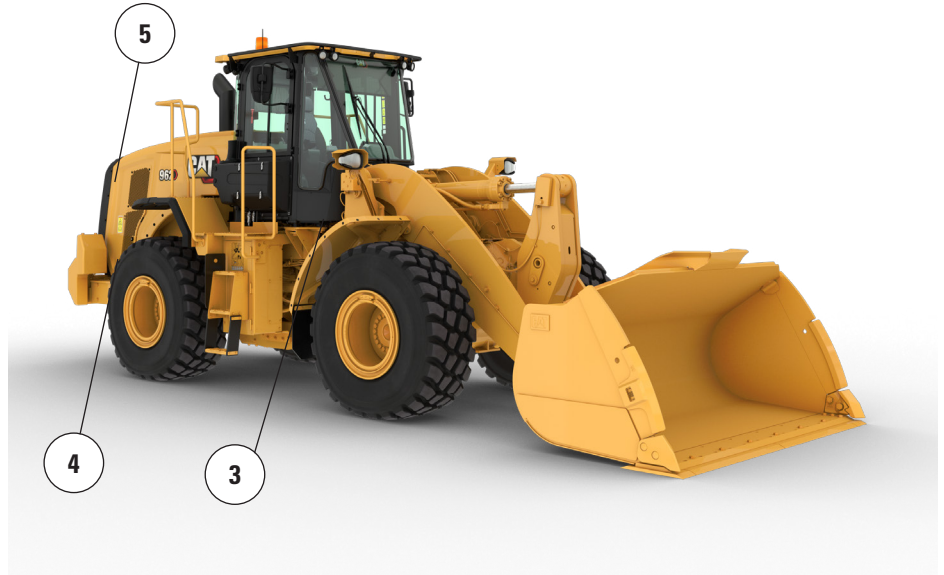
- Optional powered cabin precleaner filters the incoming air and pressurizes the cab.
- New in-cab dashboard and high-resolution touch display(s) are easy to use, intuitive, and user friendly.
- Sound suppression, seals, and viscous cab mounts decrease noise and vibration for a quieter work environment.
- The seat-mounted electro-hydraulic joystick steering system provides precision control and dramatically reduces arm fatigue, resulting in excellent comfort and accuracy. Standard in North America and optional in all other regions.
- The hydraulic metering unit (HMU) steering wheel provides precision control, resulting in excellent comfort and accuracy. Standard in all regions except North America. Limited optional availability for North America, consult your Cat dealer.

*Parts and fluids only.

962 Corrosion Resistant Specifications

962 Corrosion Resistant Features

1. Silicon protection applied to all electric terminals
2. Shrinkable heat-tube on exposed electrical connectors
3. Zerust vapor capsules in electrical compartments
4. Grease points on hood articulation pins
5. Optional corrosion resistant cooling package: E-coated cooling cores, heavy-duty latch, and greaseable hinges
6. Optional hydraulic system protection that includes silicone sealant and heat shrinkable tubing over the couplings



7. Heavy-duty brushless alternator
8. Sealed disconnect switch
9. Grease points on the cab door hinges
10. Additional coats of paint. Extra primer coats are applied before the final polyurethane topcoat
11. Varnish protection applied to under hood components
12. Optional turbine precleaner
13. Optional variable pitch fan
14. Optional autolube system
15. Anti-corrosion transmission fill cover

For more complete information on Cat products, dealer services, and industry solutions, visit us on the web at www.cat.com.

Materials and specifications are subject to change without notice. Featured machines in photos may include additional equipment. See your Cat dealer for available options.

© 2023 Caterpillar. All Rights Reserved. CAT, CATERPILLAR, LET'S DO THE WORK, their respective logos, Product Link, XT, Fusion, "Caterpillar Corporate Yellow", the "Power Edge" and Cat "Modern Hex" trade dress as well as corporate and product identity used herein, are trademarks of Caterpillar and may not be used without permission.

AEXQ3580-00 (4-2023)
Build Number: 14A
(N Am, Europe,
Aus-NZ, Chile, Turkey)

